



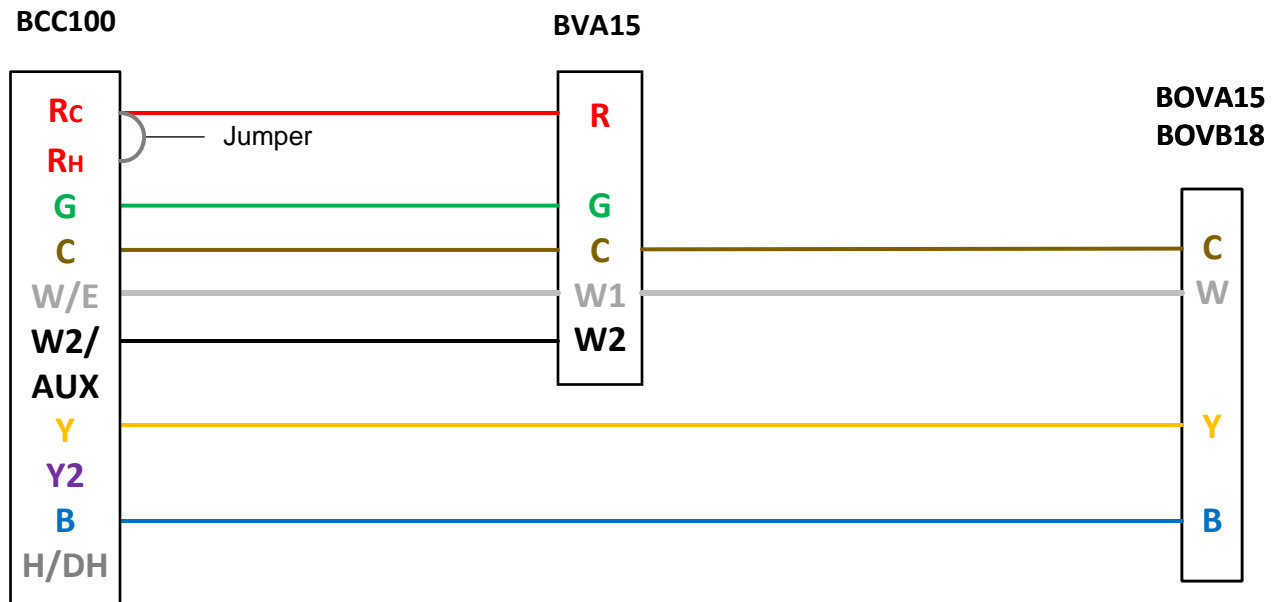
# TSS Associates, Inc.



For further assistance, please contact  
TSS Associates for Tech Support

---

518-621-4283



NOTES:

**TSS Associates, Inc.**

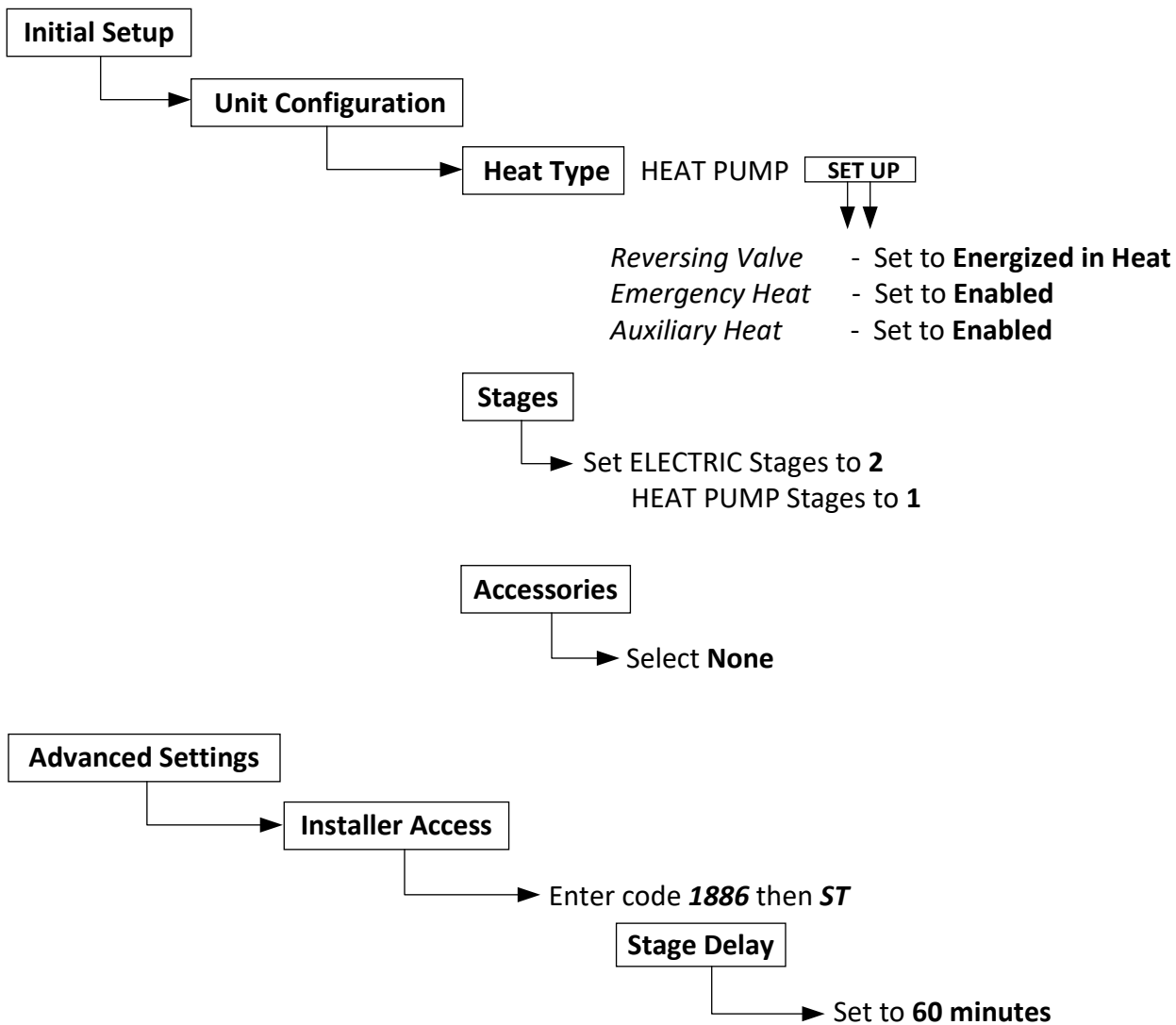
DESCRIPTION

**IDS Light with Electric Heat Back-up and BCC100**

DATE: 9/30/2022

PAGE: 1 of 2

**PARAMETERS:**



**NOTES:**

Auxiliary/Emergency heat is Electric-strip installed in AHU. Some form of back-up heat is highly recommended to be installed.

**TSS Associates, Inc.**

DESCRIPTION

**IDS Light with Electric Heat Back-up and BCC100**

DATE: 9/30/2022

PAGE: 2 of 2