

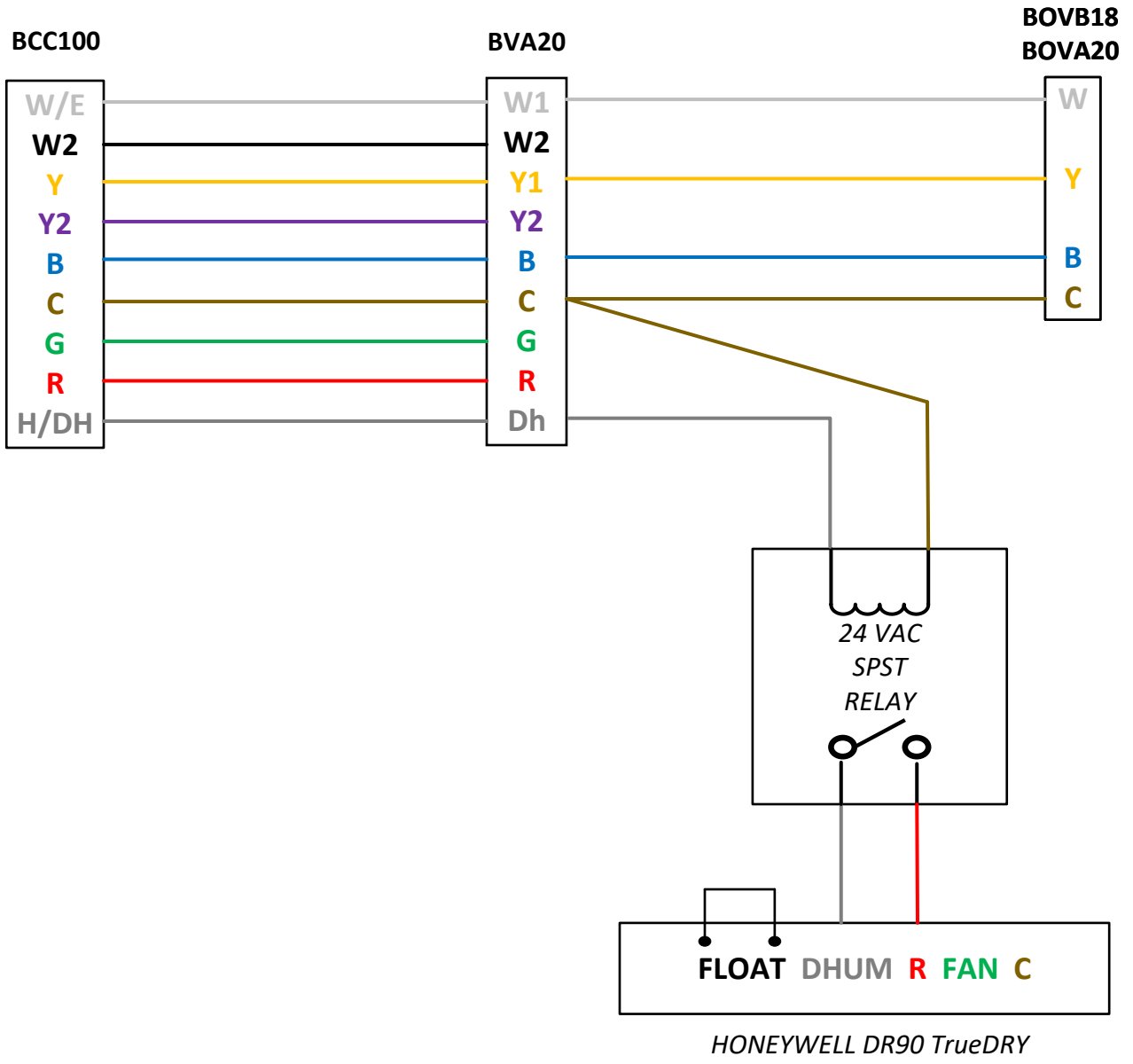


TSS Associates, Inc.



For further assistance, please contact
TSS Associates for Tech Support

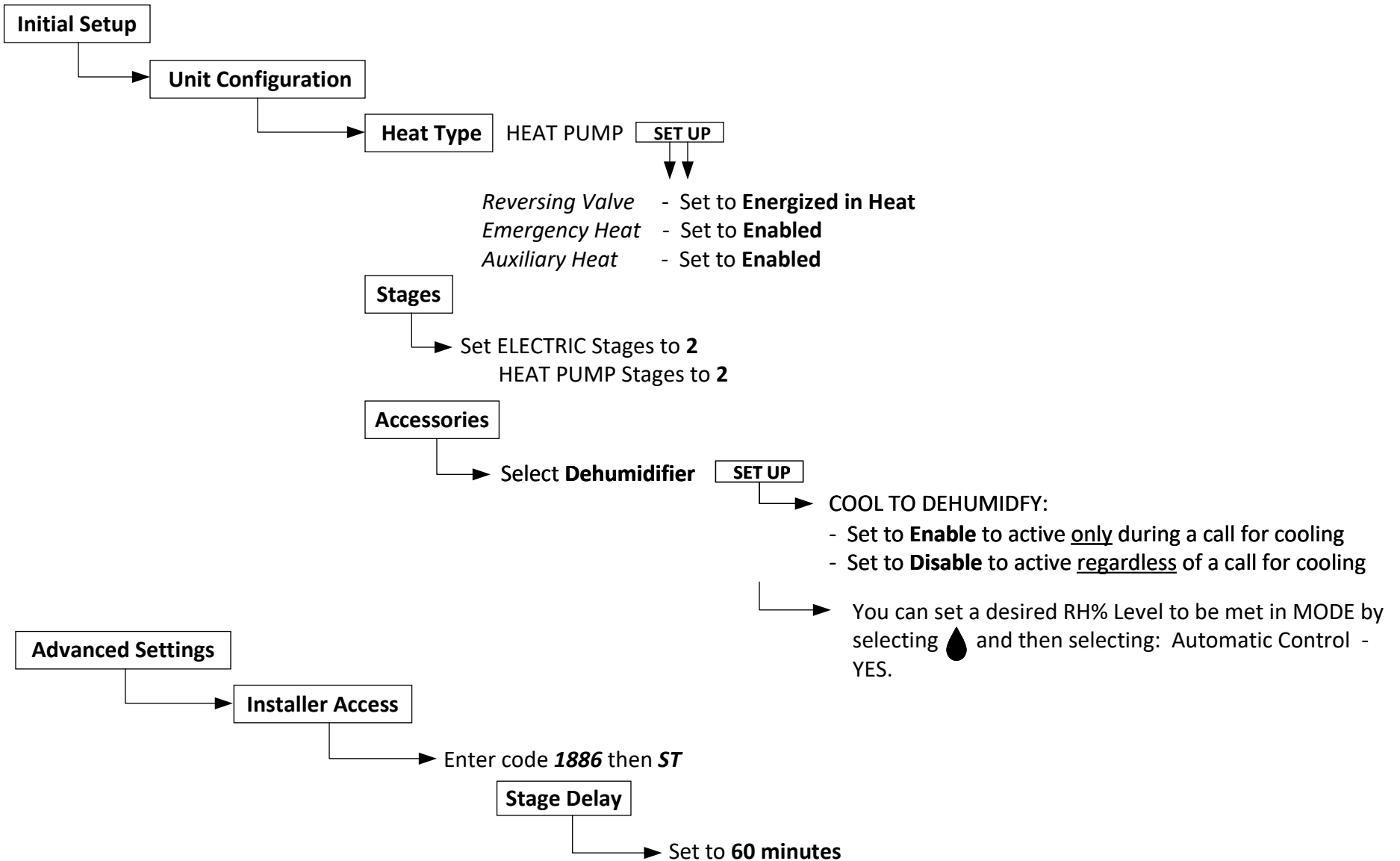
518-621-4283



NOTES:

TSS Associates, Inc.	
DESCRIPTION IDS Plus/Premium with BCC100 and Dehumidifier	
DATE: 7/18/2022	PAGE: 1 of 2

PARAMETERS:



NOTES:
Auxiliary/Emergency heat is Electric-strip installed in AHU. Some form of back-up heat is highly recommended to be installed.

TSS Associates, Inc.	
DESCRIPTION IDS Plus/Premium with BCC100 and Dehumidifier	
DATE: 7/18/2022	PAGE: 2 of 2