

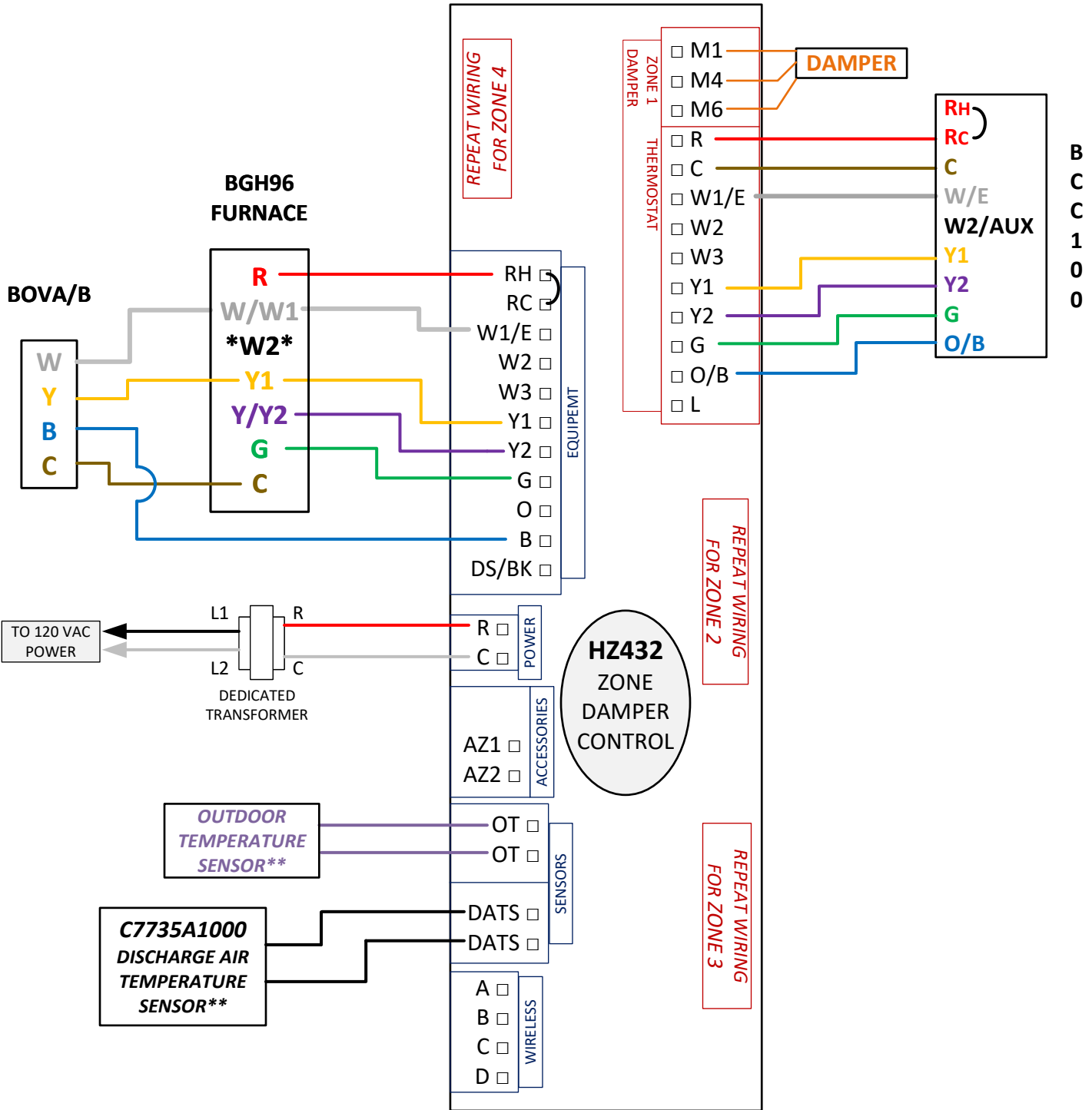


TSS Associates, Inc.



For further assistance, please contact
TSS Associates for Tech Support

518-621-4283



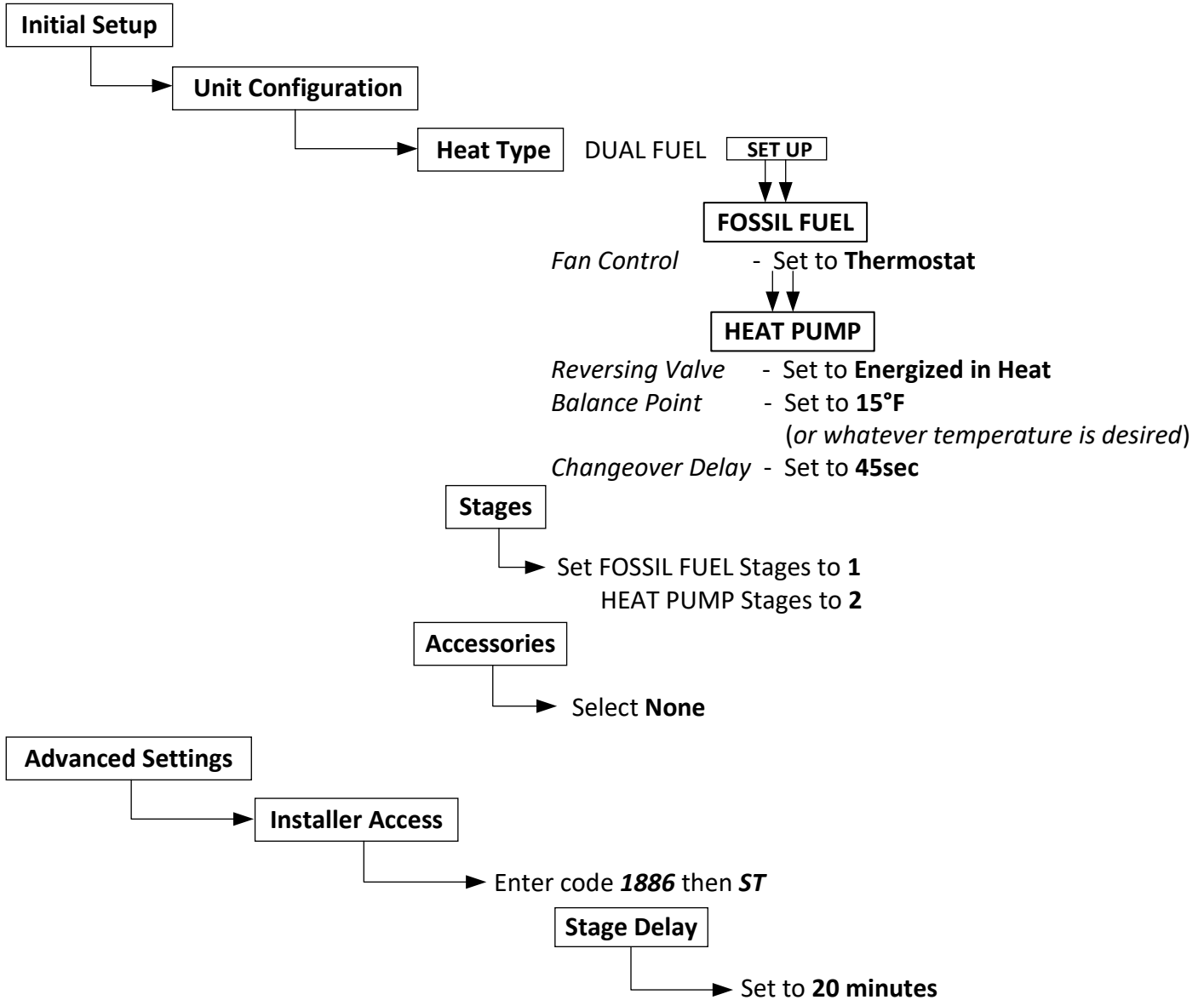
NOTES:

- For Dual Fuel Applications -
- *Set **W2** delay in furnace to 20 minutes*
(dipswitch **S1-1** & **S1-2**)
- **Optional Accessories: need to setup in Advanced Configuration in HZ432 if installing.

TSS Associates, Inc.

DESCRIPTION
BOSCH BCC100 - IDS - FURNACE - HONEYWELL HZ432

THERMOSTAT PARAMETERS:



ZONE CONTROL PARAMETERS:

SYSTEM TYPE: [HEATPUMP]
 COMPRESSOR STAGES: [2]
 DUAL FUEL OPERATION: [YES]
 DFUEL HT STAGES: [1]
 RF ENABLED: [NO] ****THIS OPTION IS ONLY USED IF YOU ARE INSTALLING WIRELESS CONTROLLERS****
 ZONES INSTALLED: **SELECT APPROPRIATE NUMBER OF ZONES BEING USED**
 ZONE1 TSTAT TYPE: [HTPUMP-B] → REPEAT THIS SELECTION FOR EACH ZONE
 STAGE 2 CONTROL: [TSTAT]
 STAGE 3 CONTROL: [OFF]
 ADVANCED CONFIG? [NO] → YES IF INSTALLING ACCESSORIES ON PG.1, THEN FOLLOW HZ432 IOM
 SAVE CHANGES? [YES]

NOTES:

- For Dual Fuel Applications -
 *Set **W2** delay in furnace to 20 minutes*
 (dipswitch **S1-1** & **S1-2**)
****Optional Accessories:** need to setup in Advanced Configuration in HZ432 if installing.

TSS Associates, Inc.

DESCRIPTION

BOSCH BCC100 - IDS - FURNACE - HONEYWELL HZ432

DATE: 10/13/2022

PAGE: 2 of 2