

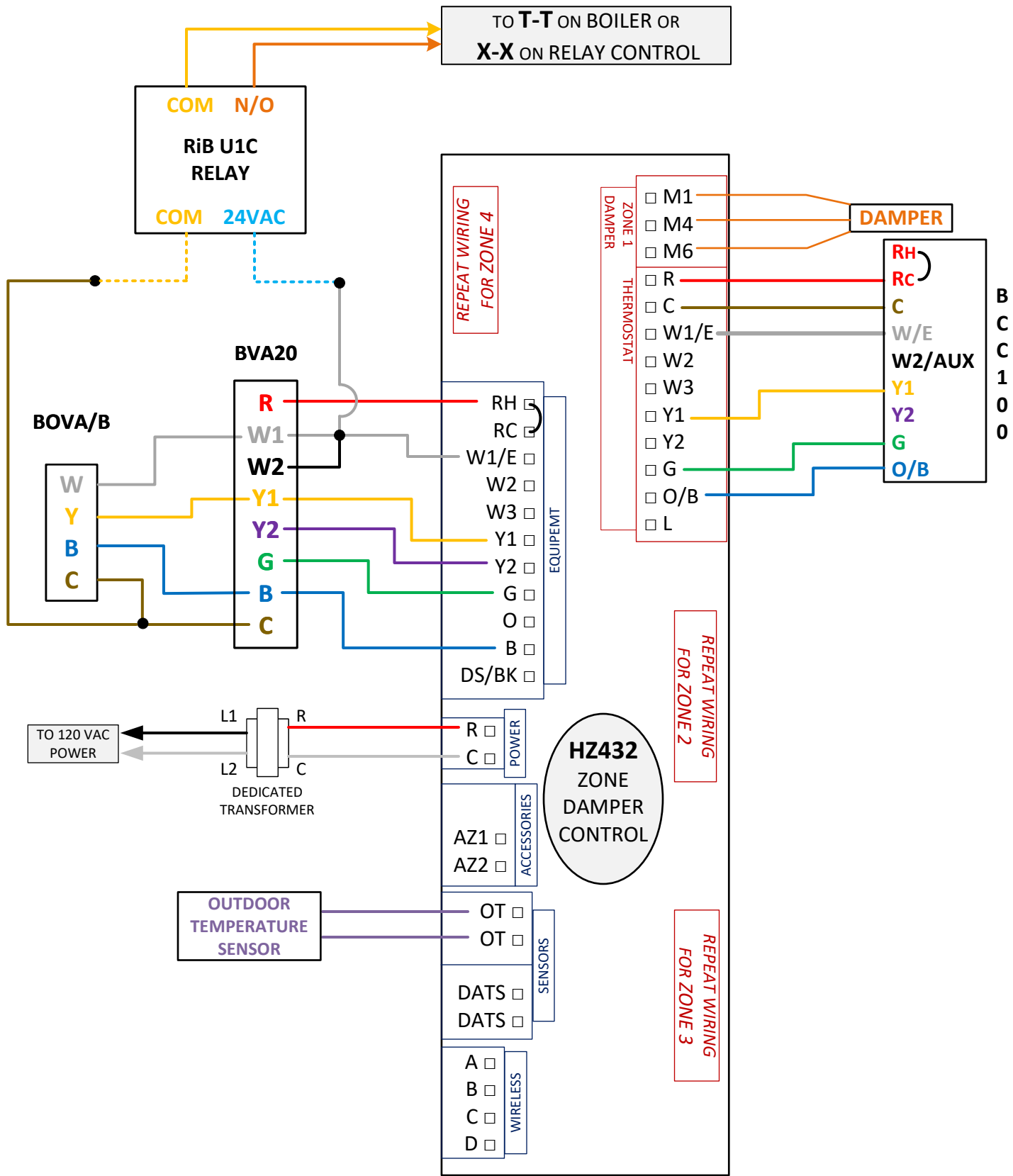


TSS Associates, Inc.



For further assistance, please contact
TSS Associates for Tech Support

518-621-4283



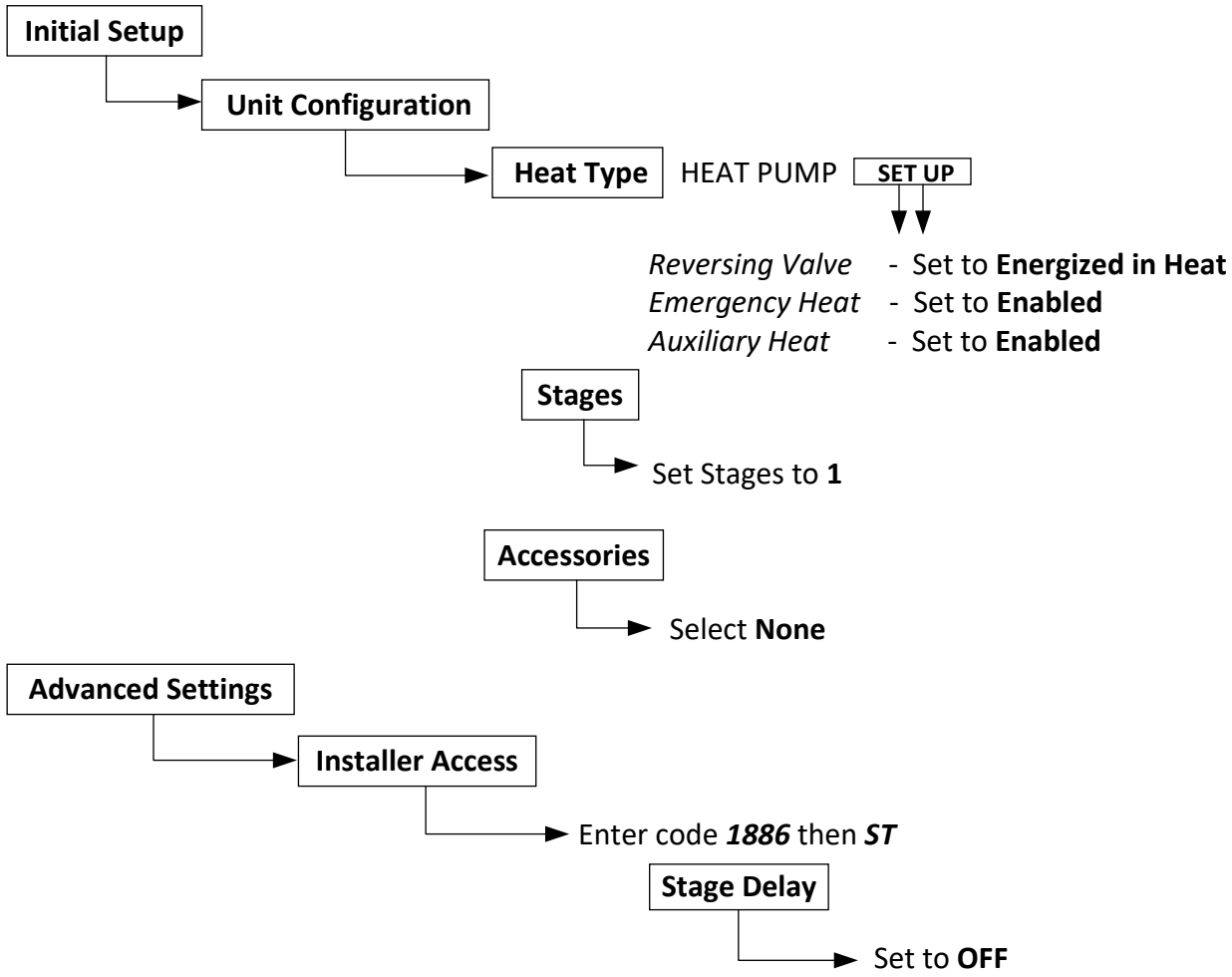
NOTES:
- For HYDRO-COIL Applications -

TSS Associates, Inc.

DESCRIPTION
BOSCH BCC100 – IDS PREMIUM – HYDROCOIL – HZ432

DATE: 10/13/2022 PAGE: 1 of 2

THERMOSTAT PARAMETERS:



ZONE CONTROL PARAMETERS:

SYSTEM TYPE: [HEATPUMP]
DUAL FUEL OPER: [NO]
COMPRESSOR STAGES: [2]
DUAL FUEL OPERATION: [NO]
AUX HT ENABLED: [YES]
RF ENABLED: [NO] ****THIS OPTION IS ONLY USED IF YOU ARE INSTALLING WIRELESS CONTROLLERS****
ZONES INSTALLED: **SELECT APPROPRIATE NUMBER OF ZONES BEING USED**
ZONE1 TSTAT TYPE: [HTPUMP-B] → REPEAT THIS SELECTION FOR EACH ZONE
STAGE 2 CONTROL: [TIMER]
STAGE 3 CONTROL: [OFF]
ADVANCED CONFIG? [YES] → HEAT FAN CONTROL: [HVAC]
STAGE 2 TIMER: [30]
DISCHARGE SENSOR: [NO]
OT SENSOR: [YES]
OT BALANCE TEMP: [20] or whatever temperature is desired
SAVE CHANGES? [YES]

NOTES:	TSS Associates, Inc.	
	DESCRIPTION BOSCH BCC100 – IDS PREMIUM – HYDROCOIL – HZ432	
	DATE: 10/13/2022	PAGE: 2 of 2