

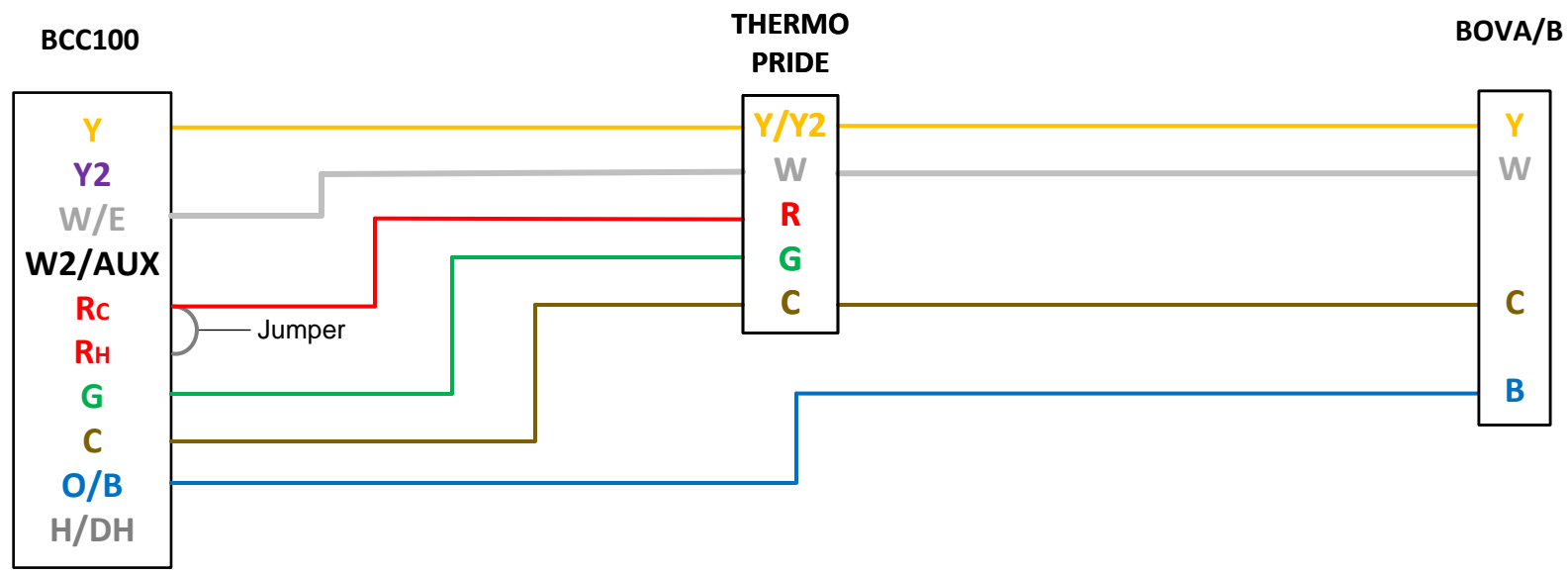


TSS Associates, Inc.



For further assistance, please contact
TSS Associates for Tech Support

518-621-4283



----- = OPTIONAL WIRING

NOTES:

For Thermo Pride Gas Furnaces:

FAN – NEUT (120VAC) terminals on Control Board for Humidifier
(field installed 24VAC transformer needed)

EAC – NEUT (120VAC) terminals on Control Board for Electronic Air Cleaner
(field install 24VAC transformer as needed)

TSS Associates, Inc.

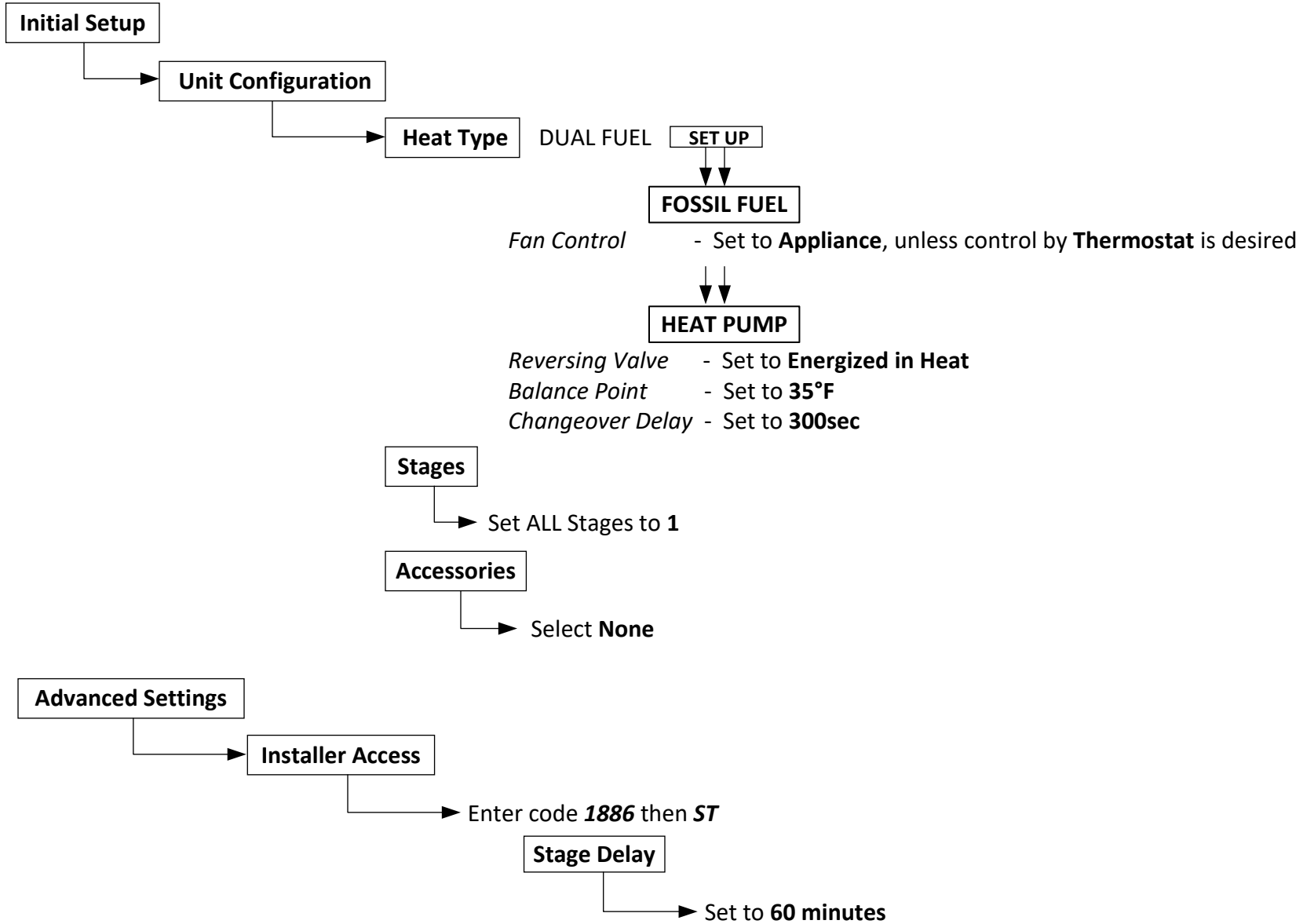
DESCRIPTION

BCC100 - Thermo Pride Gas Furnace - BOVA/B

DATE: 7/20/2022

PAGE: 1 of 2

PARAMETERS:



NOTES:

TSS Associates, Inc.

DESCRIPTION

BCC100 - Thermo Pride Gas Furnace - BOVA/B

DATE: 7/20/2022

PAGE: 2 of 2