

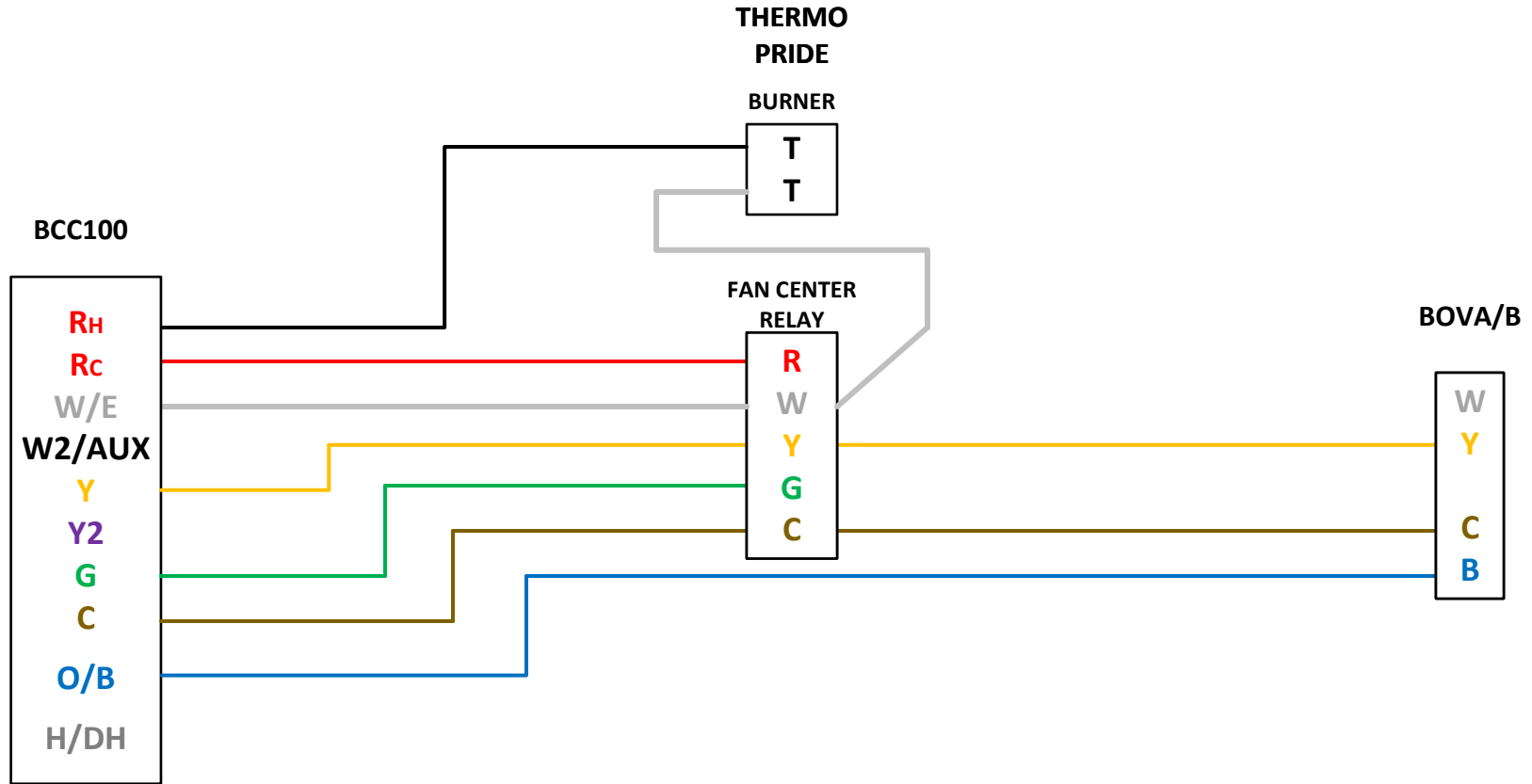


TSS Associates, Inc.



For further assistance, please contact
TSS Associates for Tech Support

518-621-4283



NOTES:
 For Oil or Power Gas Thermo Pride Furnaces with Fan Center Relay:
FAN – NEUT (120VAC) terminals on Control Board for Humidifier (field install 24VAC transformer as needed)
EAC – NEUT (120VAC) terminals on Control Board for Electronic Air Cleaner (field install 24VAC transformer as needed)

TSS Associates, Inc.	
DESCRIPTION BCC100 - Thermo Pride - BOVA/B	
DATE: 12/7/2022	PAGE: 1 of 2

PARAMETERS:

Initial Setup

Unit Configuration

Heat Type

DUAL FUEL

SET UP

FOSSIL FUEL

Fan Control

- Set to **Appliance**, unless control by **Thermostat** is desired

HEAT PUMP

Reversing Valve - Set to **Energized in Heat**

Balance Point - Set to **35°F**

Changeover Delay - Set to **45sec**

Stages

Set ALL Stages to **1**

Accessories

Select **None**

Advanced Settings

Installer Access

Enter code **1886** then **ST**

Stage Delay

Set to **60 minutes**

NOTES:

TSS Associates, Inc.

DESCRIPTION

BCC100 - Thermo Pride - BOVA/B

DATE: 12/7/2022

PAGE: 2 of 2