

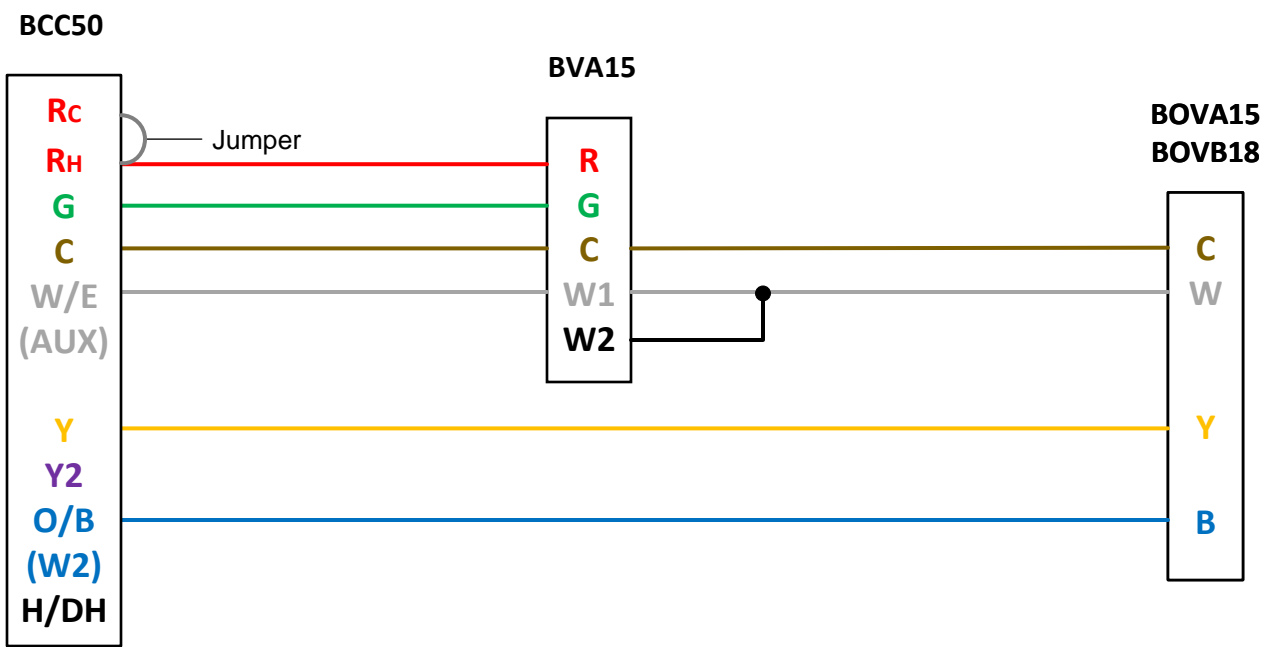


TSS Associates, Inc.



For further assistance, please contact
TSS Associates for Tech Support

518-621-4283



NOTES:

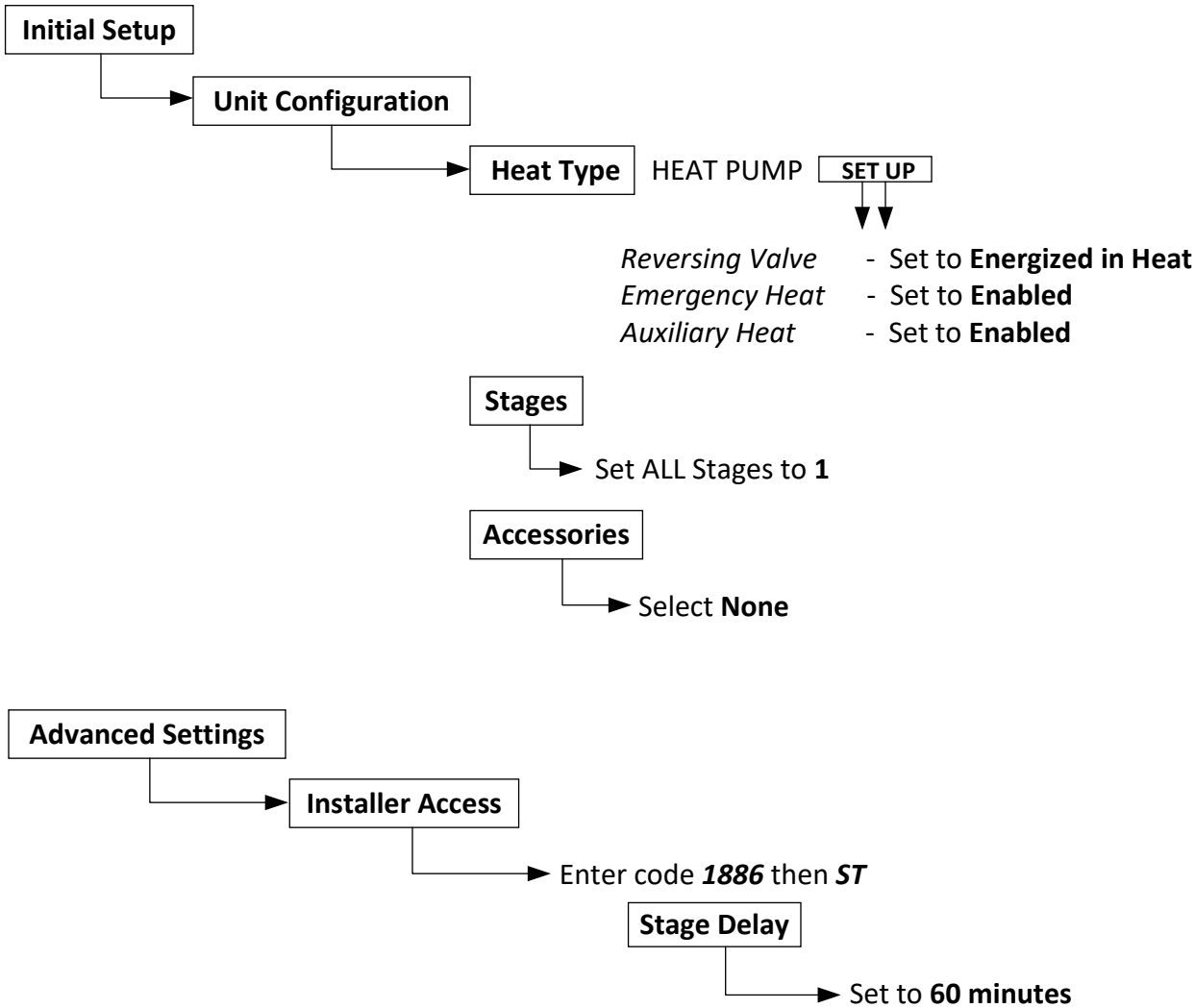
TSS Associates, Inc.

DESCRIPTION
IDS Light with Electric Heat Back-up and BCC50

DATE: 9/30/2022

PAGE: 1 of 2

PARAMETERS:



NOTES:

Programming is done in the Bosch app, not at the thermostat.

Auxiliary/Emergency heat is Electric-strip installed in AHU. Some form of back-up heat is highly recommended to be installed.

TSS Associates, Inc.

DESCRIPTION

IDS Light with Electric Heat Back-up and BCC50

DATE: 9/30/2022

PAGE: 2 of 2