

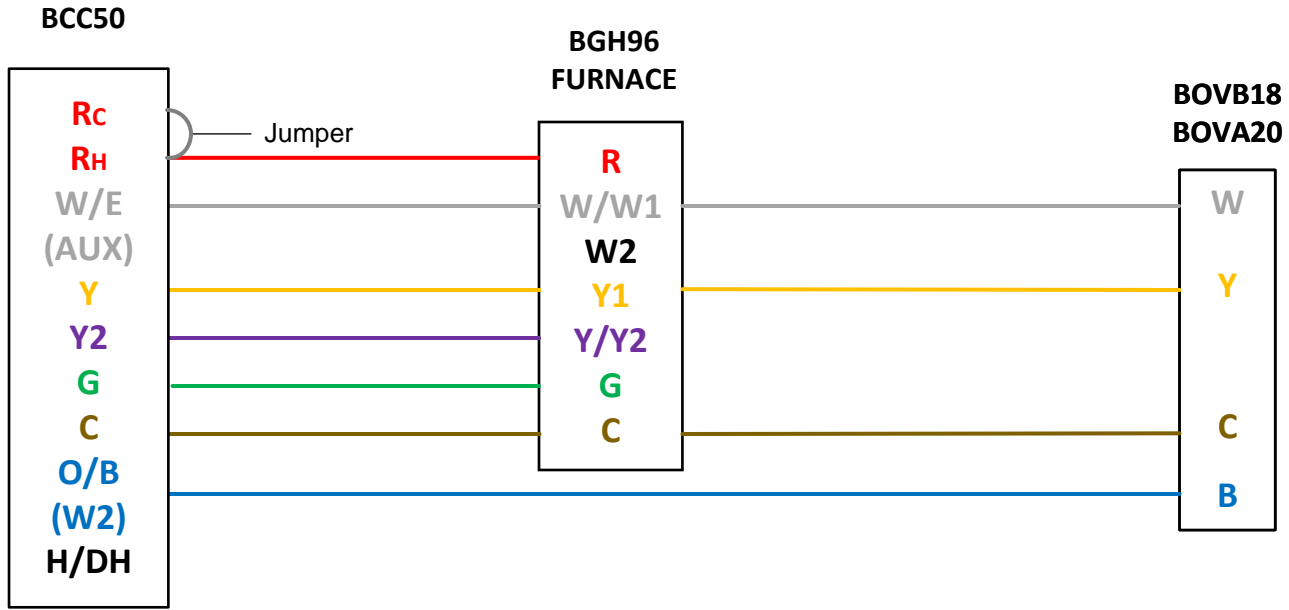


TSS Associates, Inc.



For further assistance, please contact
TSS Associates for Tech Support

518-621-4283

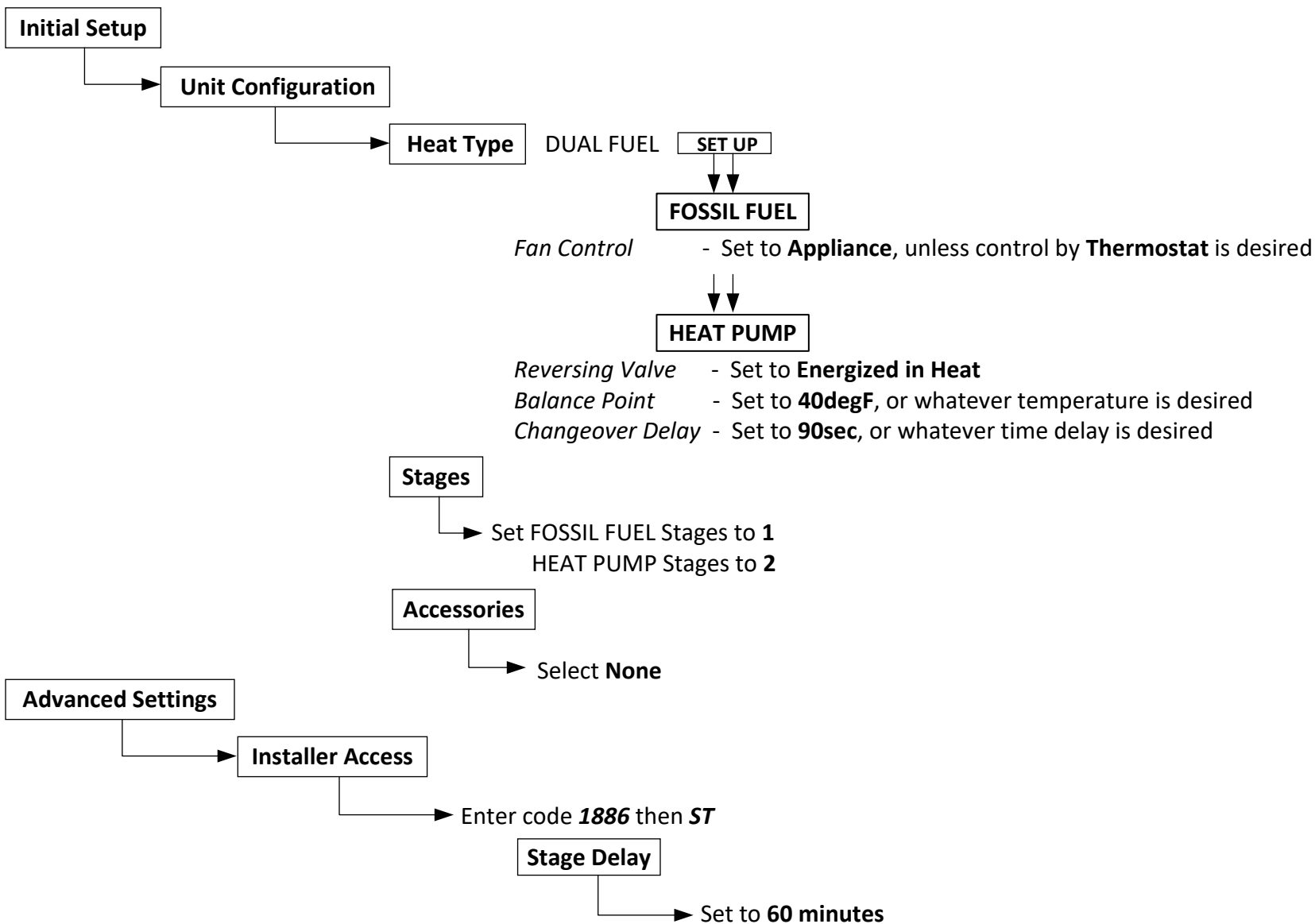


NOTES:
 Adjust dip switch **S1-1** and **S1-2** on BGH96 to achieve Second Stage gas heat.

TSS Associates, Inc.

DESCRIPTION
IDS Plus/Premium with Gas Furnace and BCC50

PARAMETERS:



NOTES:

Programming is done in the Bosch app, not at the thermostat.

Adjust dip switch **S1-1** and **S1-2** on BGH96 to achieve Second Stage gas heat.

TSS Associates, Inc.

DESCRIPTION

IDS Plus/Premium with Gas Furnace and BCC50

DATE: 7/18/2022

PAGE: 2 of 2