

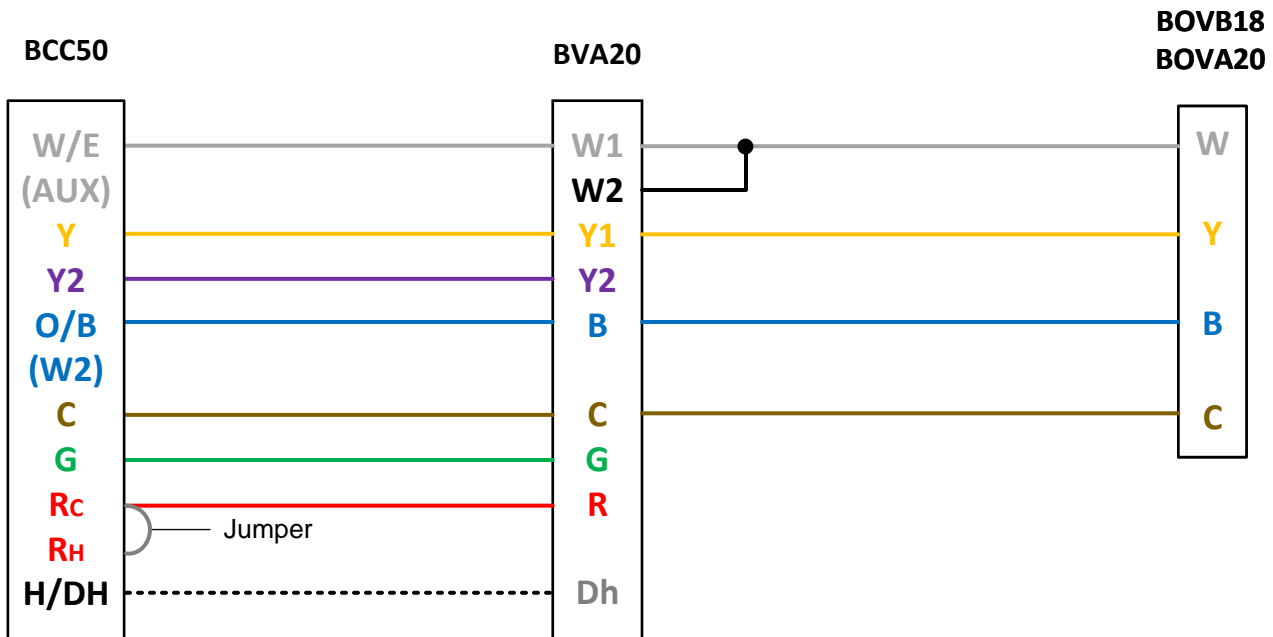


TSS Associates, Inc.



For further assistance, please contact
TSS Associates for Tech Support

518-621-4283

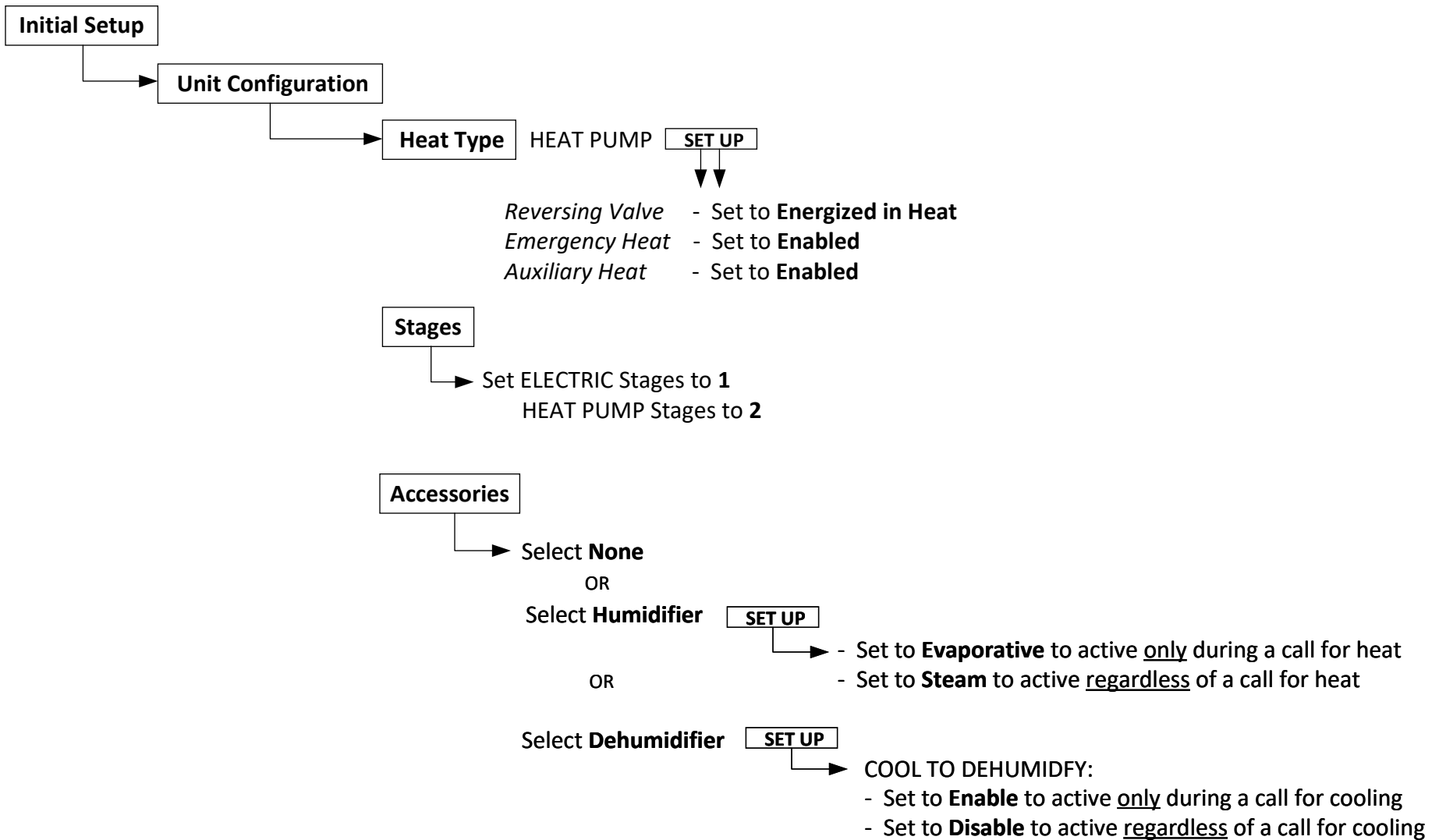


----- = OPTIONAL WIRING

NOTES:
 Auxiliary/Emergency heat is Electric-strip installed in AHU. Some form of back-up heat is highly recommended to be installed.


TSS Associates, Inc.	
DESCRIPTION IDS Plus/Premium w/ Electric Heat Back-up & BCC50	
DATE: 7/18/2022	PAGE: 1 of 3

PARAMETERS:



NOTES:

Programming is done in the Bosch app, not at the thermostat.

Humidifer/Dehumidifier are optional accessories, set these up only if you have these accessories installed or you desire the AHU to act as a Dehumidifier. You can set a desired RH% Level to be met in MODE by selecting  and then selecting: Automatic Control - YES.

TSS Associates, Inc.

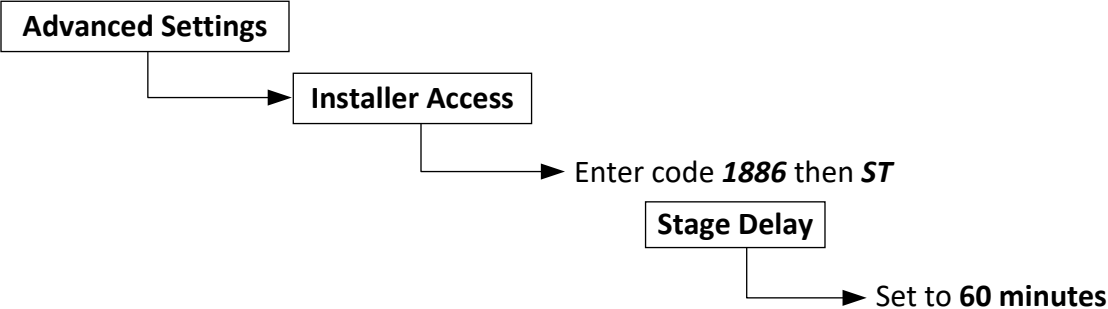
DESCRIPTION

IDS Plus/Premium w/ Electric Heat Back-up & BCC50

DATE: 7/18/2022

PAGE: 2 of 3

PARAMETERS:



NOTES:
Programming is done in the Bosch app, not at the thermostat.

TSS Associates, Inc.

DESCRIPTION
IDS Plus/Premium w/ Electric Heat Back-up & BCC50

DATE: 7/18/2022 PAGE: 3 of 3