



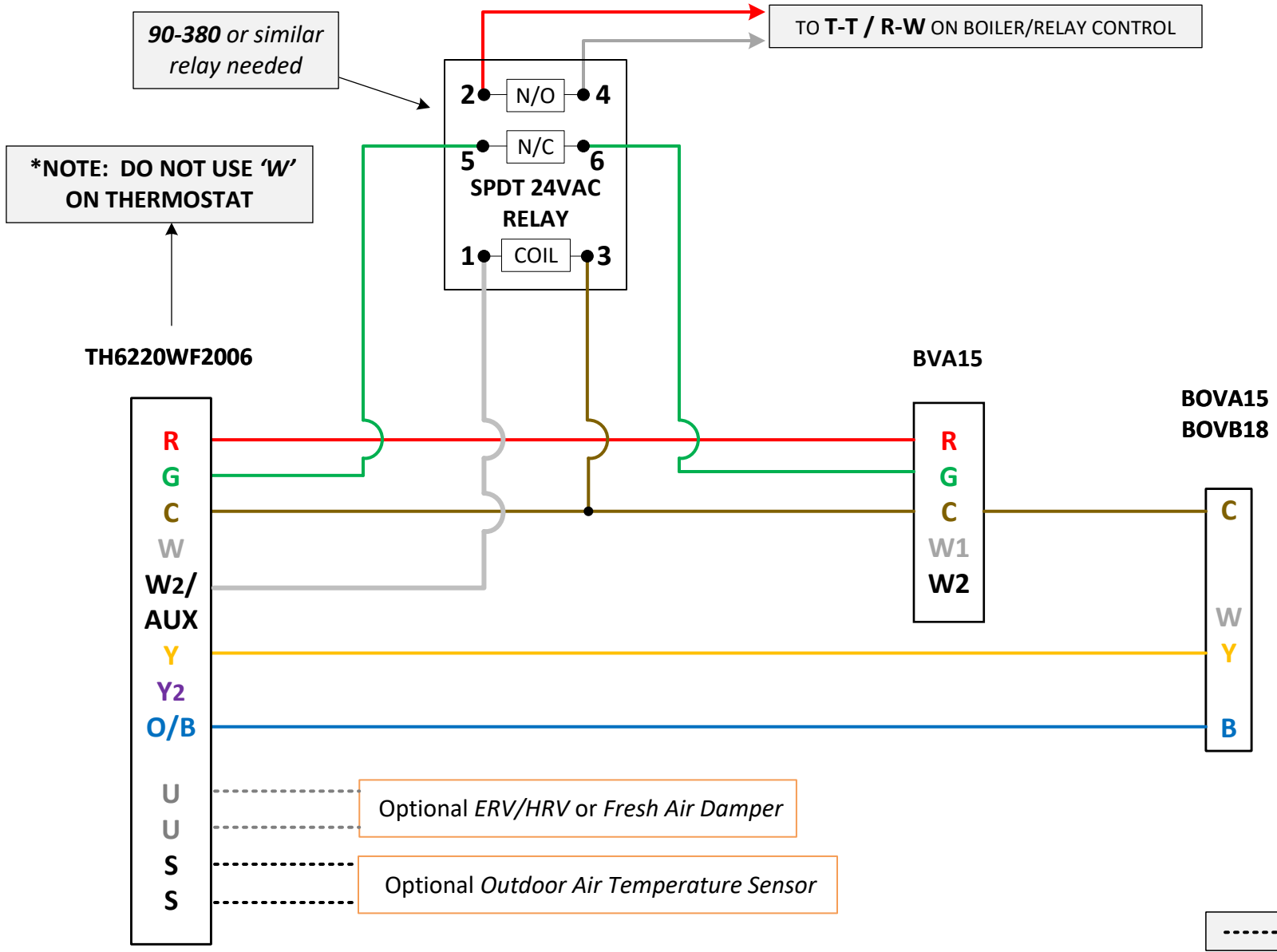
# TSS Associates, Inc.

# Honeywell

For further assistance, please contact  
Honeywell directly for Tech Support

---

1-800-633-3991



NOTES:  
 For applications with a boiler tied to baseboard, radiators, or radiant as auxiliary heat.  
 Thermostat controls fan through **90-380** relay. When Auxiliary Heat is activated through thermostat, fan signal is deactivated to AHU through relay.

<b>TSS Associates, Inc.</b>	
DESCRIPTION Honeywell T6 Pro Smart - IDS Light - Boiler Back-up	
DATE: 2/3/2023	PAGE: 1 of 2

..... = OPTIONAL WIRING

**PARAMETERS:**

- 130 - Outdoor Temp. - Set to **Internet** for Wi-Fi Internet data source; Set to **Wired** for an Outdoor Air Sensor wired to terminals S-S
- 200 - System Type - Set to **Heat Pump**
- 205 - Equipment Type - Factory set to **Air To Air**
- 218 - Reversing Valve - Set to **O/B on Heat**
- 220 - Cool Stages - Set to **1**
- 221 - Aux/E Stages - Factory set to **1**
- 253 - Aux/E Control - Set to **Both**
- 255 - Aux Heat Type - Set to **Gas/Oil**
- 300 - Auto Changeover - Factory set to **Off**
- 340 - Aux Heat Droop - Set to **Comfort**
- 350 - Up Stage Timer - Set to **45 minutes**  
Aux Heat *Thermostat will activate back-up heat after 45 minutes if it is still not satisfied by the heat pump, this option is deactivated once Balance Point is met.*
- 355 - Balance Point - Set to **30°F**, or whatever outdoor temperature is desired to prevent switchover to Aux Heat  
*For Compressor Lockout and switchover to Aux Heat*
- 356 - Aux Heat Lockout - Set to **50°F**, or whatever outdoor temperature is desired to prevent switchover to Aux Heat
- 365 - Cool 1 CPH - Compressor cycle rate, Set to **1 CPH** (Cycles Per Hour)
- 375 - Aux Heat CPH - Set to **1 CPH**
- 387 - Compressor Protection - Set to **Off**

**\*\*All other setpoints should be left to Factory Settings unless any optional equipment has been added to system or based upon customer preference\*\***

**NOTES:**

Some of these parameters may not come up during initial thermostat set-up. Once at 'home' screen, press and hold 'Menu' button for 5 seconds and go into 'Device Settings' to configure remaining parameters.

Auxiliary/Emergency heat is Electric-strip installed in AHU. Some form of back-up heat is highly recommended to be installed.

**TSS Associates, Inc.**

DESCRIPTION

Honeywell T6 Pro Smart - IDS Light

DATE: 2/3/2023

PAGE: 2 of 2