

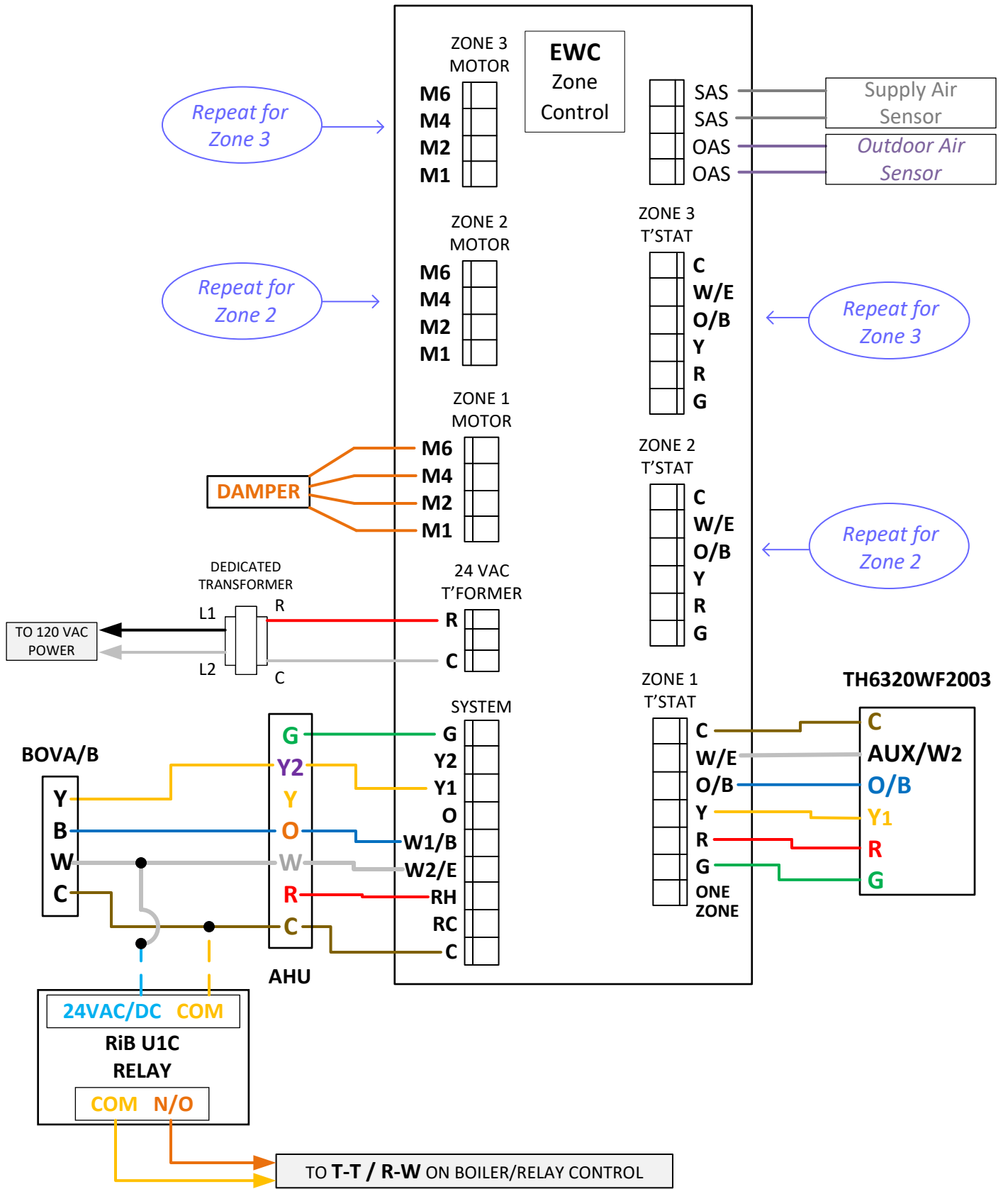


TSS Associates, Inc.

Honeywell

For further assistance, please contact
Honeywell directly for Tech Support

1-800-633-3991



NOTES:

TSS Associates, Inc.

DESCRIPTION

Honeywell T6 – IDS – Hydronic AHU – EWC Panel

DATE: 11/15/2022

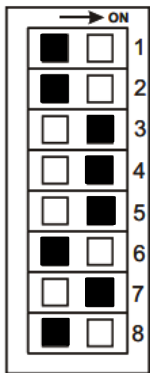
PAGE: 1 of 2

THERMOSTAT PARAMETERS:

- 130 - Outdoor Temp. - Set to **Internet** for Wi-Fi Internet data source
- 200 - System Type - Set to **Heat Pump**
- 205 - Equipment Type - Factory set to **Air To Air**
- 218 - Reversing Valve - Set to **O/B on Heat**
- 220 - Cool Stages - Set to **1**
- 221 - Aux/E Stages - Factory set to **1**
- 253 - Aux/E Control - Set to **Both**
- 255 - Aux Heat Type - Set to **Electric**
- 260 - Fossil Fuel Kit - Factory set to **Thermostat**
- 300 - Auto Changeover - Factory set to **Off**
- 340 - Aux Heat Droop - Set to **5°F**
- 350 - Up Stage Timer
Aux Heat - Set to **45 minutes**
- 355 - Balance Point - Set to **Off**
- 356 - Aux Heat Lockout - Set to **Off**
- 365 - Cool 1 CPH - Compressor cycle rate, Set to **1 CPH** (Cycles Per Hour)
- 366 - Cool 2 CPH - Set to **1 CPH**
- 375 - Aux Heat CPH - Set to **1 CPH**
- 387 - Compressor
Protection - Set to **Off**

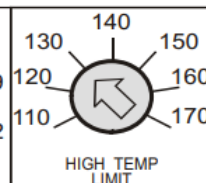
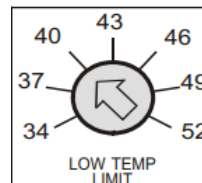
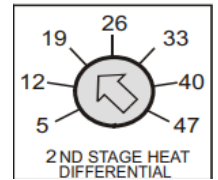
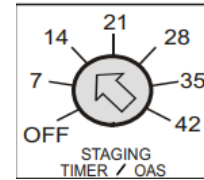
****All other setpoints should be left to Factory Settings unless any optional equipment has been added to system or based upon customer preference****

ZONE CONTROL PARAMETERS:



HP < SYSTEM > OTHER
DF < HP > CONV
HC < TSTATS > HP
O < RV > B
OAS < STAGING > TIMER
OFF < 50%RULE > ON
OFF < SAS > ON
GAS < FAN > HYDRONIC

→ Set OAS to **7**
 → Set 2nd Stage Heat Differential to **5**
 → Set Low Temp Limit to **40**
 → Set High Temp Limit to **140** for Gas, **160** for Oil



NOTES:

TSS Associates, Inc.

DESCRIPTION

Honeywell T6 – IDS – Hydronic AHU – EWC Panel

DATE: 11/15/2022

PAGE: 2 of 2