

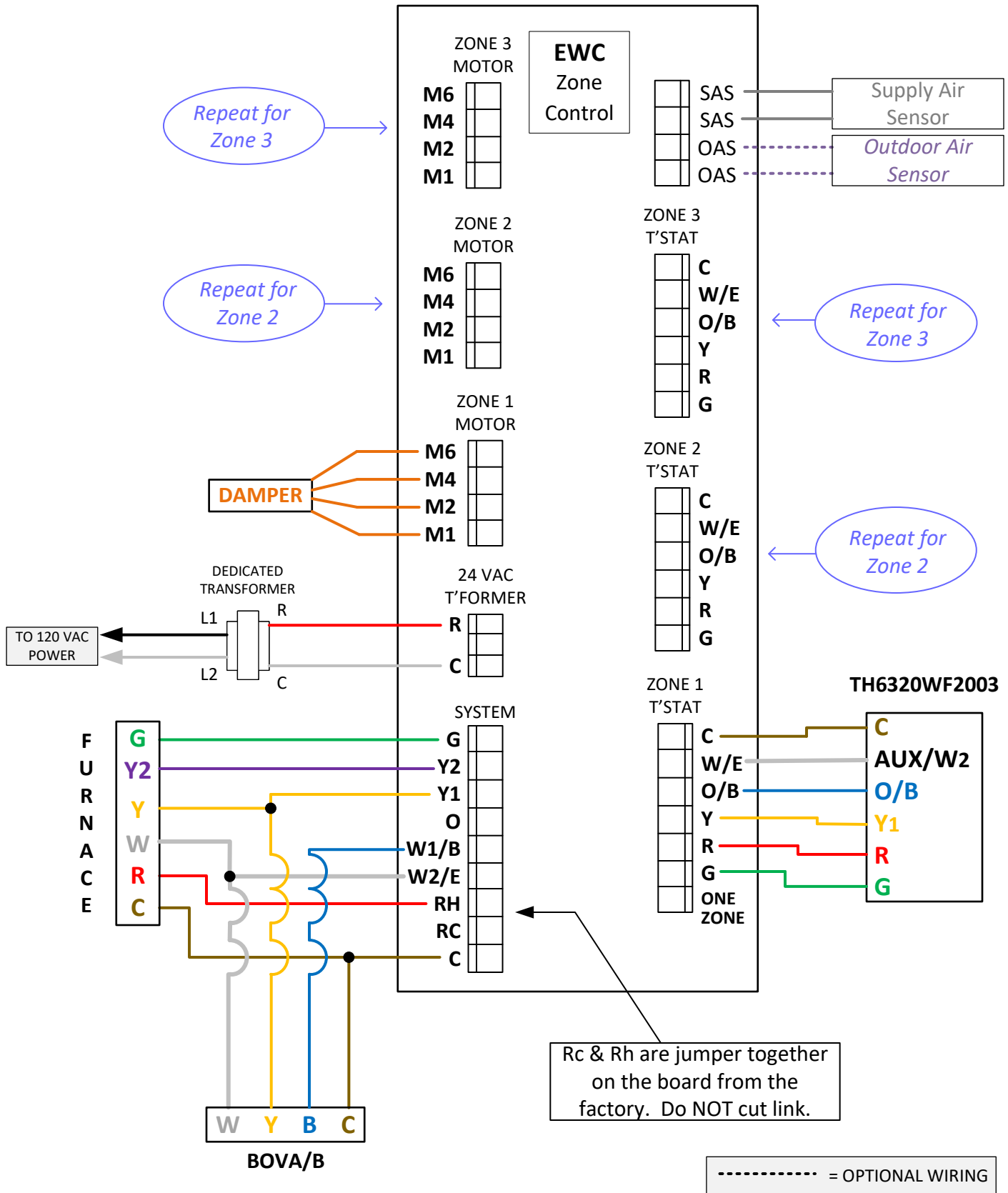


TSS Associates, Inc.

Honeywell

For further assistance, please contact
Honeywell directly for Tech Support

1-800-633-3991



NOTES:

TSS Associates, Inc.

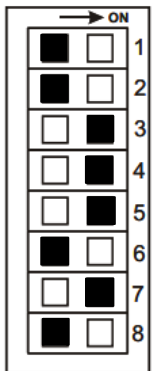
DESCRIPTION
Honeywell T6 – IDS – Gas/Oil Furnace – EWC Panel

THERMOSTAT PARAMETERS:

- 130 - Outdoor Temp. - Set to **Internet** for Wi-Fi Internet data source
- 200 - System Type - Set to **Heat Pump**
- 205 - Equipment Type - Factory set to **Air To Air**
- 218 - Reversing Valve - Set to **O/B on Heat**
- 220 - Cool Stages - Set to **1**
- 221 - Aux/E Stages - Factory set to **1**
- 253 - Aux/E Control - Set to **Both**
- 255 - Aux Heat Type - Set to **Gas/Oil**
- 260 - Fossil Fuel Kit - Factory set to **Thermostat**
- 300 - Auto Changeover - Factory set to **Off**
- 340 - Aux Heat Droop - Set to **Off**
- 350 - Up Stage Timer Aux Heat - Set to **Off**
- 355 - Balance Point - Set to **15°F**, or whatever outdoor temperature is desired for Compressor Lockout and switchover to Aux Heat
- 356 - Aux Heat Lockout - Set to **45°F**, or whatever outdoor temperature is desired to prevent switchover to Aux Heat
- 365 - Cool 1 CPH - Compressor cycle rate, Set to **1 CPH** (Cycles Per Hour)
- 366 - Cool 2 CPH - Set to **1 CPH**
- 375 - Aux Heat CPH - Set to **1 CPH**
- 387 - Compressor Protection - Set to **Off**

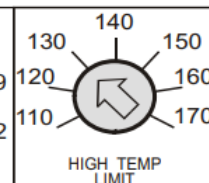
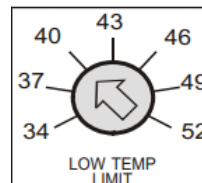
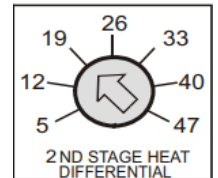
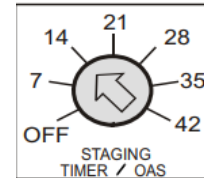
****All other setpoints should be left to Factory Settings unless any optional equipment has been added to system or based upon customer preference****

ZONE CONTROL PARAMETERS:



- HP** < SYSTEM > OTHER
- DF** < HP > CONV
- HC** < TSTATS > **HP**
- O** < RV > **B**
- OAS** < STAGING > **TIMER**
- OFF** < 50%RULE > ON
- OFF** < SAS > **ON**
- GAS** < FAN > HYDRONIC

- Set Timer to **42**
- Set 2nd Stage Heat Differential to **5**
- Set Low Temp Limit to **40**
- Set High Temp Limit to **140** for Gas, **160** for Oil



NOTES:

TSS Associates, Inc.

DESCRIPTION

Honeywell T6 – IDS – Gas/Oil Furnace – EWC Panel

DATE: 7/21/2022

PAGE: 2 of 2