



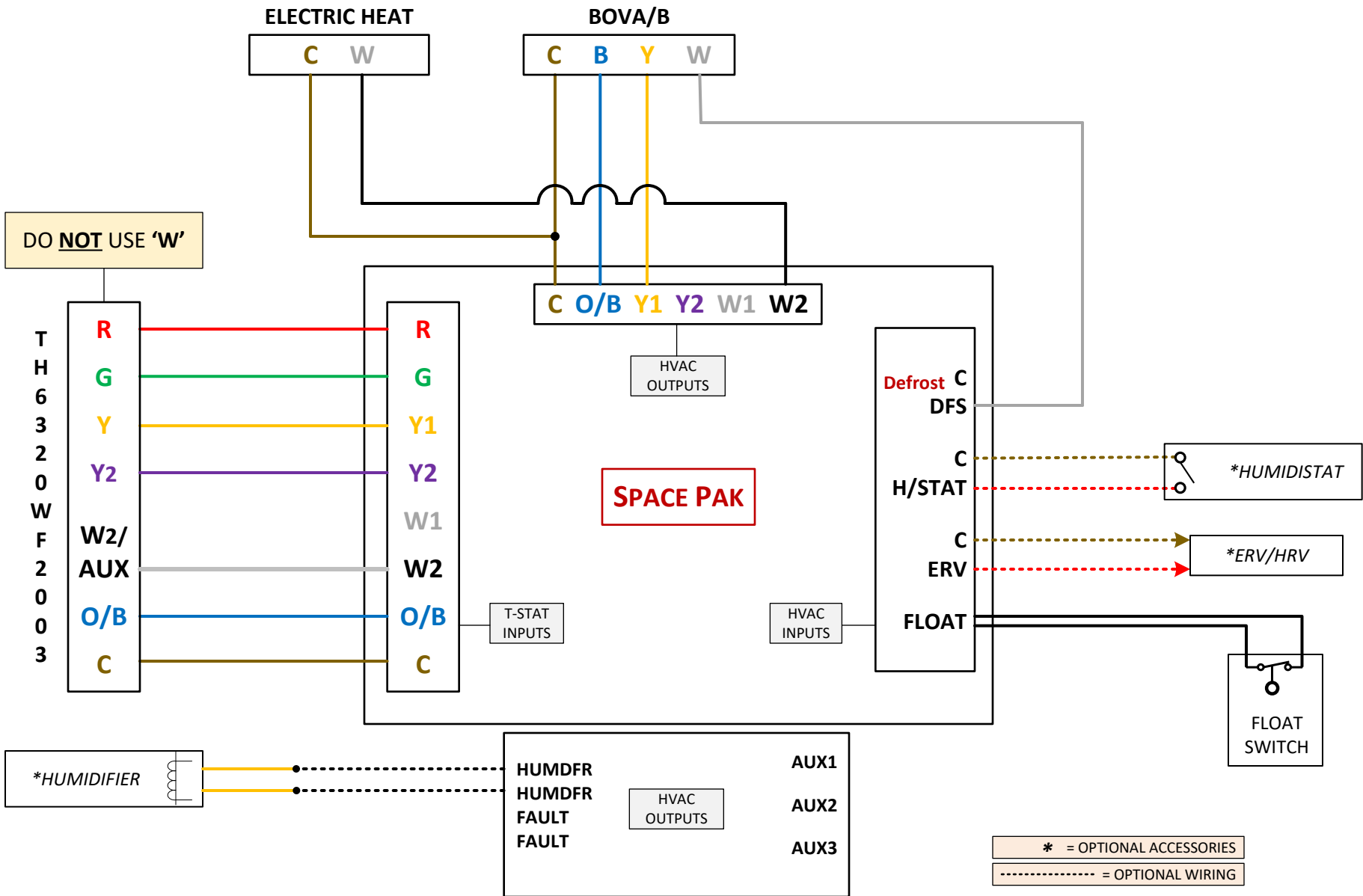
# TSS Associates, Inc.

# Honeywell

For further assistance, please contact  
Honeywell directly for Tech Support

---

1-800-633-3991



- NOTES:
- > Defrost [DFS] energizes fan and **W2** output relay
  - > **W2** input energizes fan and **W2** output relay
  - > Installation of EEH Electric Back-up Heat Kit is highly recommended

**PARAMETERS:**

- 130 - Outdoor Temp. - Set to **Wired** for an Outdoor Air Sensor wired to terminals S-S, Set to **Internet** for Wi-Fi Internet data source
- 200 - System Type - Set to **Heat Pump**
- 205 - Equipment Type - Factory set to **Air To Air**
- 218 - Reversing Valve - Set to **O/B on Heat**
- 220 - Cool Stages - Set to **2**
- 221 - Aux/E Stages - Factory set to **1**
- 253 - Aux/E Control - Set to **Both**
- 255 - Aux Heat Type - Set to **Electric**
- 300 - Auto Changeover - Factory set to **Off**
- 340 - Aux Heat Droop - Set to **5°F**
- 350 - Up Stage Timer - Set to **60 minutes**  
Aux Heat *Thermostat will activate back-up heat after 60 minutes if it is still not satisfied by the heat pump, this option is deactivated once Balance Point is met.*
- 355 - Balance Point - Set to **5°F**, or whatever outdoor temperature is desired to prevent switchover to Aux Heat  
*For Compressor Lockout and switchover to Aux Heat*
- 356 - Aux Heat Lockout - Set to **45°F**, or whatever outdoor temperature is desired to prevent switchover to Aux Heat
- 365 - Cool 1 CPH - Compressor cycle rate, Set to **1 CPH** (Cycles Per Hour)
- 366 - Cool 2 CPH - Set to **1 CPH**
- 375 - Aux Heat CPH - Set to **1 CPH**
- 387 - Compressor Protection - Set to **Off**

\*\*All other setpoints should be left to Factory Settings unless any optional equipment has been added to system or based upon customer preference\*\*

NOTES:

Some form of back-up heat is highly recommended to be installed.

Some of these parameters may not come up during initial thermostat set-up. Once at 'home' screen, press and hold 'Menu' button for 5 seconds and go into 'Device Settings' to configure remaining parameters.

**TSS Associates, Inc.**

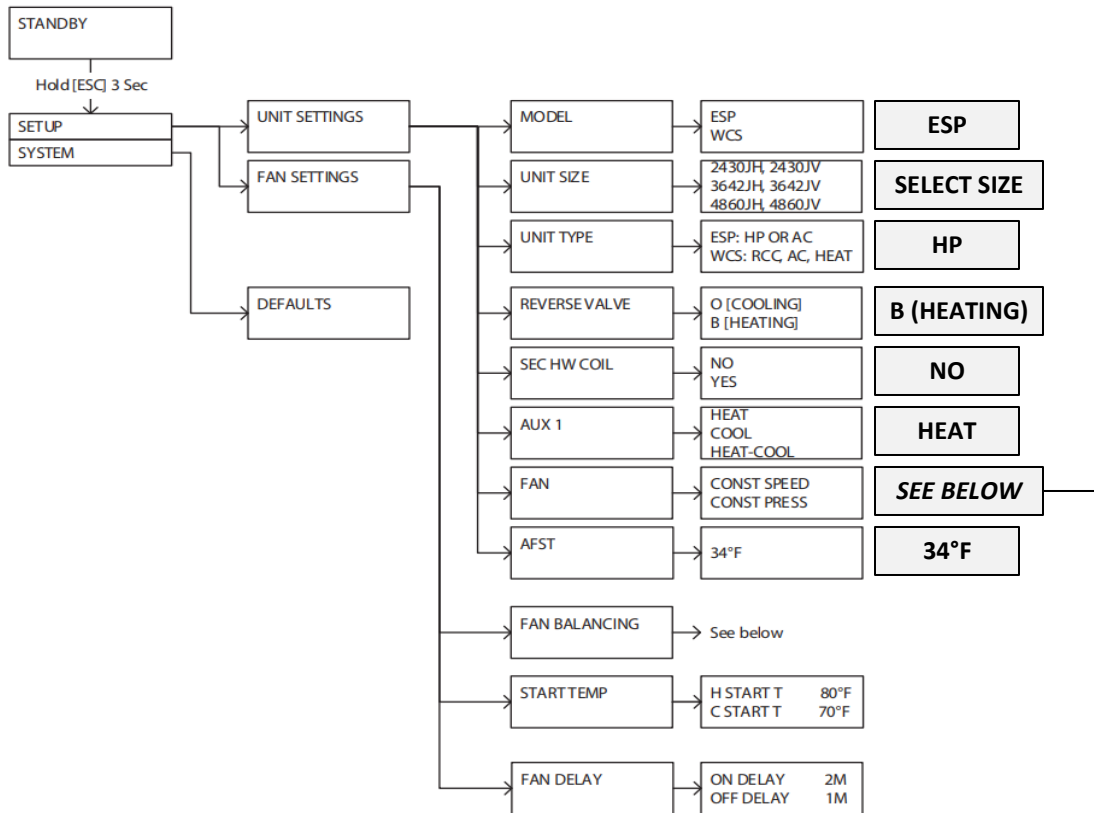
DESCRIPTION  
HONEYWELL T6 PRO - SPACEPAK ESP-J(PLUS) - BOVA/B

DATE: 6/23/2022

PAGE: 2 of 3

# SECTION 3: START-UP & COMMISSIONING

## Controls Overview/Features/Setpoints



**CHOOSE IF YOU WANT FAN TO BE RUN BASED ON SPEED OR STATIC PRESSURE:**

FAN BALANCING – CONSTANT SPEED				FAN BALANCING – CONSTANT PRESSURE			
Y1:	SPEED%	Y1% PRESS	CFM	Y1:	ST PRESS	Y1 SP PRESS	CFM
Y2:	SPEED%	50 0.4	350	Y2:	ST PRESS	1.2 0.51	350
Y12:	SPEED%	Y2% PRESS	CFM	Y12:	ST PRESS	Y2 SP PRESS	CFM
W1:	SPEED%	50 0.4	350	W1:	ST PRESS	1.2 0.51	350
W2:	SPEED%	Y12% PRESS	CFM	W2:	ST PRESS	Y12 SP PRESS	CFM
W12:	SPEED%	50 0.4	350	W12:	ST PRESS	1.2 0.51	350
G:	SPEED%	W1% PRESS	CFM	G:	ST PRESS	W1 SP PRESS	CFM
HUM:	SPEED%	50 0.4	350	HUM:	ST PRESS	1.2 0.51	350
ERV:	SPEED%	W2% PRESS	CFM	ERV:	ST PRESS	W2 SP PRESS	CFM
DFS:	SPEED%	50 0.4	350	DFS:	ST PRESS	1.2 0.51	350
		W12% PRESS	CFM			W12 SP PRESS	CFM
		50 0.4	350			1.2 0.51	350
		G% PRESS	CFM			G SP PRESS	CFM
		50 0.4	350			1.2 0.51	350
		HUM% PRESS	CFM			HUM SP PRESS	CFM
		50 0.4	350			1.2 0.51	350
		ERV% PRESS	CFM			ERV SP PRESS	CFM
		50 0.4	350			1.2 0.51	350
		DF% PRESS	CFM			DF SP PRESS	CFM
		50 0.4	350			1.2 0.51	350

NOTES:  
 Guide for ESP-J(PLUS) Control Board Initial Setup:  
 See pages 25-31 in IOM for more details.

**TSS Associates, Inc.**

---

DESCRIPTION  
 HONEYWELL T6 PRO - SPACEPAK ESP-J(PLUS) - BOVA/B

---

DATE: 6/23/2022      PAGE: 3 of 3