



TSS Associates, Inc.

Honeywell

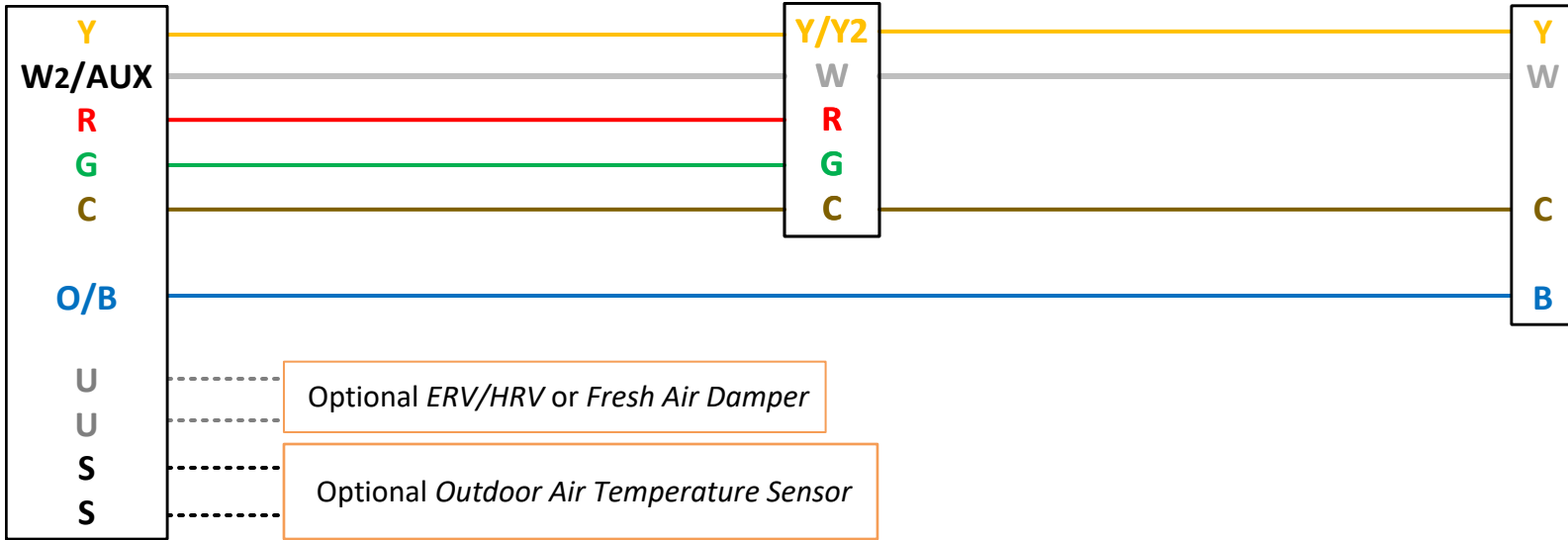
For further assistance, please contact
Honeywell directly for Tech Support

1-800-633-3991

TH6320WF2003

THERMO
PRIDE

BOVA/B



***NOTE: DO NOT USE 'W'
ON THERMOSTAT**

----- = OPTIONAL WIRING

NOTES:

For Thermo Pride Gas Furnaces:

FAN – NEUT (120VAC) terminals on Control Board for Humidifier (field installed 24VAC transformer needed)

EAC – NEUT (120VAC) terminals on Control Board for Electronic Air Cleaner (field install 24VAC transformer as needed)

TSS Associates, Inc.

DESCRIPTION

Honeywell T6 Pro Smart - Thermo Pride - BOVA/B

DATE: 7/20/2022

PAGE: 1 of 2

PARAMETERS:

- 130 - Outdoor Temp. - Set to **Wired** for an Outdoor Air Sensor wired to terminals S-S, Set to **Internet** for Wi-Fi Internet data source
- 200 - System Type - Set to **Heat Pump**
- 205 - Equipment Type - Factory set to **Air To Air**
- 218 - Reversing Valve - Set to **O/B on Heat**
- 220 - Cool Stages - Set to **1**
- 221 - Aux/E Stages - Factory set to **1**
- 253 - Aux/E Control - Set to **Both**
- 255 - Aux Heat Type - Set to **Gas/Oil**
- 260 - Fossil Fuel Kit - Factory set to **Thermostat**
- 300 - Auto Changeover - Factory set to **Off**
- 340 - Aux Heat Droop - Set to **3°F**
- 350 - Up Stage Timer - Set to **60 minutes**
Aux Heat *Thermostat will activate back-up heat after 60 minutes if it is still not satisfied by the heat pump, this option is deactivated once Balance Point is met.*
- 355 - Balance Point - Set to **30°F**, or whatever outdoor temperature is desired to prevent switchover to Aux Heat
For Compressor Lockout and switchover to Aux Heat
- 356 - Aux Heat Lockout - Set to **50°F**, or whatever outdoor temperature is desired to prevent switchover to Aux Heat
- 365 - Cool 1 CPH - Compressor cycle rate, Set to **1 CPH** (Cycles Per Hour)
- 375 - Aux Heat CPH - Set to **1 CPH**
- 387 - Compressor Protection - Set to **Off**

All other setpoints should be left to Factory Settings unless any optional equipment has been added to system or based upon customer preference

NOTES:

Some of these parameters may not come up during initial thermostat set-up. Once at 'home' screen, press and hold 'Menu' button for 5 seconds and go into 'Device Settings' to configure remaining parameters.

TSS Associates, Inc.

DESCRIPTION

Honeywell T6 Pro Smart - Thermo Pride - BOVA/B

DATE: 7/20/2022

PAGE: 2 of 2