



# TSS Associates, Inc.

# Honeywell

For further assistance, please contact  
Honeywell directly for Tech Support

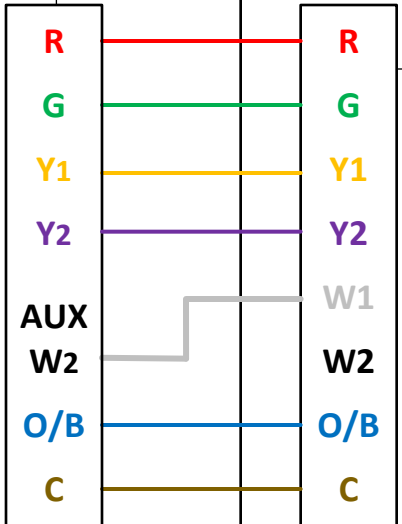
---

1-800-633-3991

DO NOT USE 'W'

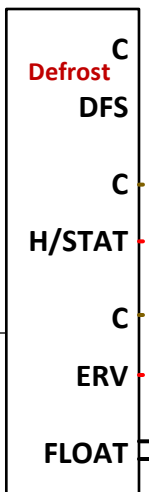
DO NOT FOLLOW THIS PART OF THE UNIT WIRING DIAGRAM, A RIB RELAY IS NECESSARY IN BETWEEN THESE CONNECTIONS AND BOILER CONTROL

T  
H  
6  
3  
2  
0  
W  
F  
2  
0  
0  
3



C O/B Y1 Y2 W1 W2

SPACE PAK

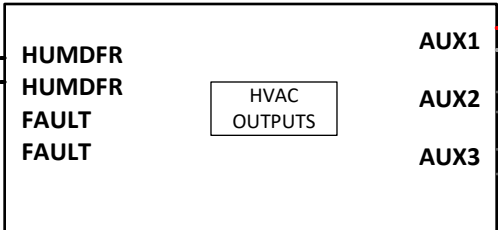


HVAC OUTPUTS

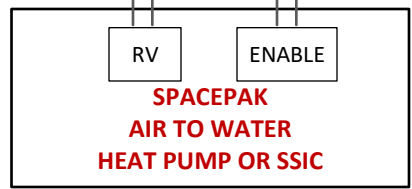
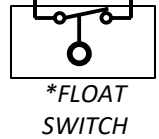
HVAC INPUTS



\*To ERV/HRV



TO T-T OR R-W ON BOILER OR RELAY CONTROL



..... = OPTIONAL WIRING

NOTES:  
 For HW Coil applications, wire boiler or relay end switch to AUX1 and set to activate in HEAT in Unit Settings on control board (see page 3).

<b>TSS Associates, Inc.</b>	
DESCRIPTION SPACEPAK ESP-J(PLUS) to SIS to HONEYWELL T6 PRO	
DATE: 7/21/2022	PAGE: 1 of 3

**PARAMETERS:**

- 130 - Outdoor Temp. - Set to **Wired** for an Outdoor Air Sensor wired to terminals S-S, Set to **Internet** for Wi-Fi Internet data source
- 200 - System Type - Set to **Heat Pump**
- 205 - Equipment Type - Factory set to **Air To Air**
- 218 - Reversing Valve - Set to **O/B on Heat**
- 220 - Cool Stages - Set to **2**
- 221 - Aux/E Stages - Factory set to **1**
- 253 - Aux/E Control - Set to **Both**
- 255 - Aux Heat Type - Set to **Gas/Oil**
- 260 - Fossil Fuel Kit - Factory set to **Thermostat**
- 300 - Auto Changeover - Factory set to **Off**
- 340 - Aux Heat Droop - Set to **2°F**
- 350 - Up Stage Timer - Set to **60 minutes**  
     Aux Heat                    *Thermostat will activate back-up heat after 60 minutes if it is still not satisfied by the heat pump, this option is deactivated once Balance Point is met.*
- 355 - Balance Point - Set to **20°F**, or whatever outdoor temperature is desired to prevent switchover to Aux Heat  
     *For Compressor Lockout and switchover to Aux Heat*
- 356 - Aux Heat Lockout - Set to **60°F**, or whatever outdoor temperature is desired to prevent switchover to Aux Heat
- 365 - Cool 1 CPH - Compressor cycle rate, Set to **1 CPH** (Cycles Per Hour)
- 366 - Cool 2 CPH - Set to **1 CPH**
- 375 - Aux Heat CPH - Set to **1 CPH**
- 387 - Compressor - Set to **Off**  
     Protection

\*\*All other setpoints should be left to Factory Settings unless any optional equipment has been added to system or based upon customer preference\*\*

NOTES:

Some of these parameters may not come up during initial thermostat set-up. Once at 'home' screen, press and hold 'Menu' button for 5 seconds and go into 'Device Settings' to configure remaining parameters.

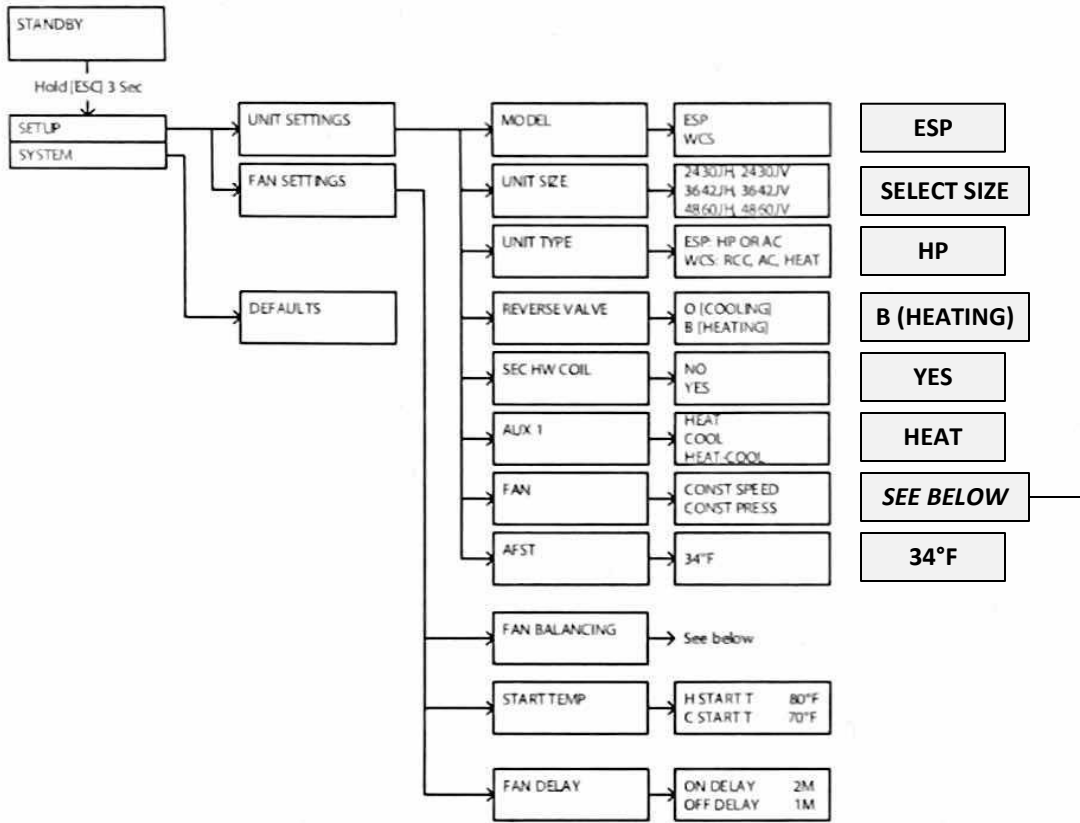
**TSS Associates, Inc.**

DESCRIPTION  
SPACEPAK ESP-J(PLUS) to SIS to HONEYWELL T6 PRO

DATE: 6/23/2022                      PAGE: 2 of 3

# SECTION 3: START-UP & COMMISSIONING

## Controls Overview/Features/Setpoints



**CHOOSE IF YOU WANT FAN TO BE RUN BASED ON SPEED OR STATIC PRESSURE:**

FAN BALANCING – CONSTANT SPEED				FAN BALANCING – CONSTANT PRESSURE			
Y1:	SPEED%	Y1%:	PRESS CFM	Y1:	ST PRESS	Y1 SP:	PRESS CFM
Y2:	SPEED%	Y2%:	50 0.4 350	Y2:	ST PRESS	Y2 SP:	1.2 0.51 350
Y12:	SPEED%	Y12%:	PRESS CFM	Y12:	ST PRESS	Y12 SP:	PRESS CFM
W1:	SPEED%	W1%:	50 0.4 350	W1:	ST PRESS	W1 SP:	1.2 0.51 350
W2:	SPEED%	W12%:	PRESS CFM	W2:	ST PRESS	W12 SP:	PRESS CFM
W12:	SPEED%	W12%:	50 0.4 350	W12:	ST PRESS	W12 SP:	1.2 0.51 350
G:	SPEED%	W1%:	PRESS CFM	G:	ST PRESS	W1 SP:	PRESS CFM
HUM:	SPEED%	W1%:	50 0.4 350	HUM:	ST PRESS	W1 SP:	1.2 0.51 350
ERV:	SPEED%	W2%:	PRESS CFM	ERV:	ST PRESS	W2 SP:	PRESS CFM
DFS:	SPEED%	W2%:	50 0.4 350	DFS:	ST PRESS	W2 SP:	1.2 0.51 350
		W12%:	PRESS CFM			W12 SP:	PRESS CFM
		W12%:	50 0.4 350			W12 SP:	1.2 0.51 350
		G%:	PRESS CFM			G SP:	PRESS CFM
		G%:	50 0.4 350			G SP:	1.2 0.51 350
		HUM%:	PRESS CFM			HUM SP:	PRESS CFM
		HUM%:	50 0.4 350			HUM SP:	1.2 0.51 350
		ERV%:	PRESS CFM			ERV SP:	PRESS CFM
		ERV%:	50 0.4 350			ERV SP:	1.2 0.51 350
		DFS%:	PRESS CFM			DFS SP:	PRESS CFM
		DFS%:	50 0.4 350			DFS SP:	1.2 0.51 350

NOTES:  
Guide for ESP-J(PLUS) Control Board Initial Setup

**TSS Associates, Inc.**

DESCRIPTION  
SPACEPAK ESP-J(PLUS) to SIS to HONEYWELL T6 PRO

DATE: 7/21/2022 PAGE: 3 of 3