



TSS Associates, Inc.

Honeywell

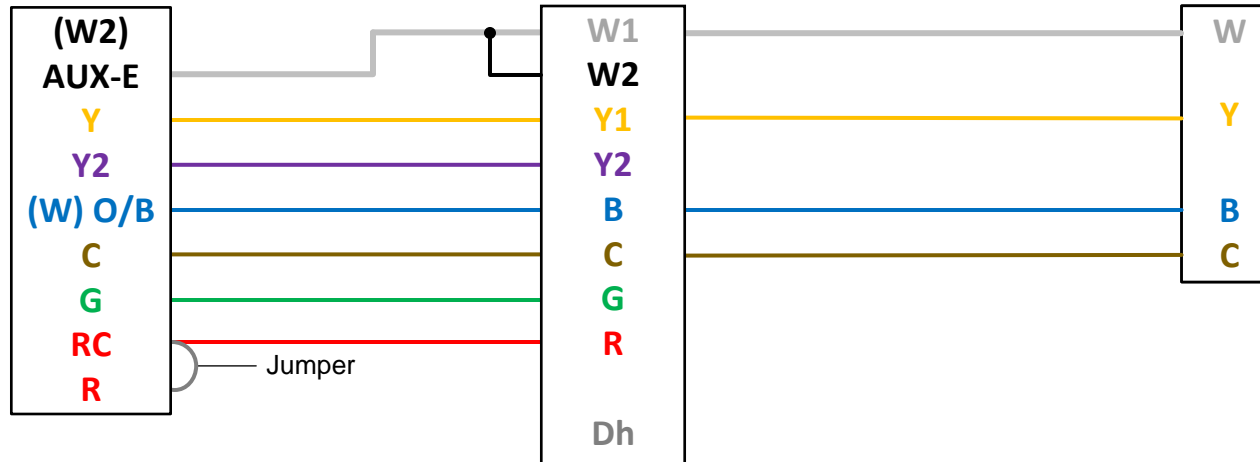
For further assistance, please contact
Honeywell directly for Tech Support

1-800-633-3991

TH8321WF1001

BVA20

BOVA/B



NOTES:

Some form of auxiliary heat, such as electric strip heaters, is highly recommended to be installed.

TSS Associates, Inc.

DESCRIPTION

Honeywell Vision Pro 8000 - IDS - Electric Back-up Heat

DATE: 10/13/2022

PAGE: 1 of 3

PARAMETERS:

- 106 - Outdoor Temp - Set to **Wired/Internet**
- 200 - Heating System - Set to **Heat Pump**
- 201 - Heat Equipment - Set to **Air-to-Air Heat Pump**
- 206 - Reversing Valve (O/B terminal) - Set to **O/B on Heat**
- 207 - Cool/Compressor Stages - Set to **2**
- 212 - Backup Heat Type - Set to **Electric** (*this allows both heat pump and electric strip to run simultaneously if needed*)
- 213 - Backup Heat Stages - Set to **1**
- 216 - Backup Heat Fan - Set to **Equip Controls Fan**
- 219 - External Fossil Fuel Kit - Set to **No**
- 300 - System Changeover - Set to **Manual**
- 301 - Control Options - Set to **Basic Options**
- 308 - Backup Heat Droop - Set to **5°F**
- 311 - Upstage Timer for Backup Heat - Set to **60 minutes**
- 312 - Outdoor Lockout Heat Pump (Balance Point) - Set to **0°F**
- 312 - Outdoor Lockout Backup Heat - Set to **50°F**
- 314 - Cool Cycles Per Hour Stage 1 - Set to **1**
- 314 - Cool Cycles Per Hour Stage 2 - Set to **1**
- 316 - Backup Heat Cycles Per Hour - Set to **1**
- 324 - Compressor Off Time - Set to **Off**
- 409 - Adaptive Intelligent Recovery - Set to **Yes**
- 340 - Remote sensor - Set to **2 = Outdoor sensor for control**
- 500 - Wired Outdoor Sensor - Set to **Yes** if using wired outdoor sensor, otherwise set to **No**

All other setpoints should be left to Factory Settings unless any optional equipment has been added to system or based upon customer preference

NOTES:

Some form of auxiliary heat, such as electric strip heaters, is highly recommended to be installed.

TSS Associates, Inc.

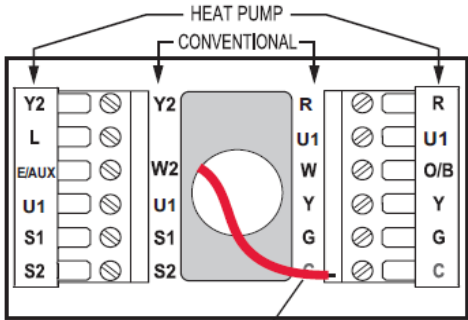
DESCRIPTION

Honeywell Vision Pro 8000 - **IDS** - Electric Back-up Heat

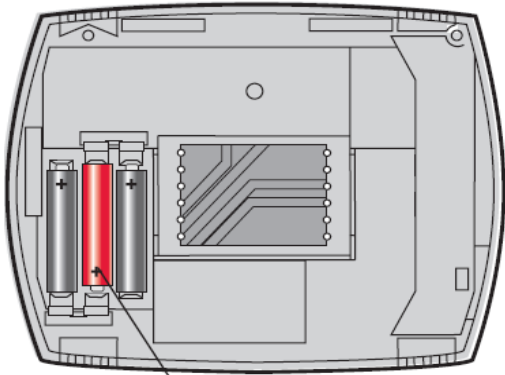
DATE: 10/13/2022

PAGE: 2 of 3

Power options



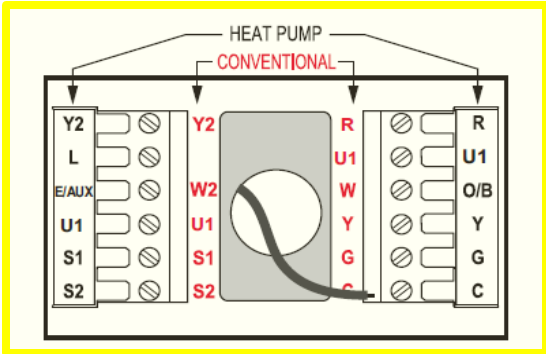
For 24VAC primary power, connect common side of transformer to "C" terminal.



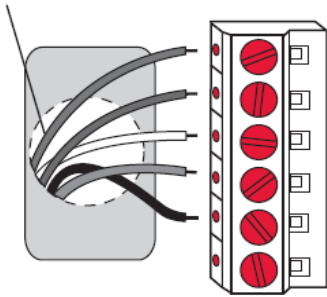
Insert supplied batteries for primary or backup power.

MCR29723

Wiring



Push excess wire back into the wall opening. Plug wall opening with non-flammable insulation.



MCR29724

Terminal Designations

- Conventional Terminal Letters:**
- R** System power. Connect to secondary side of system transformer.
 - C** Common wire from secondary side of transformer.
 - W** 1st stage heat relay.
 - W2** 2nd stage heat relay.
 - Y** 1st stage compressor contactor.
 - Y2** 2nd stage compressor contactor.
 - G** Fan relay.
 - S1/S2** Optional outdoor/remote/discharge sensor.
 - U1/U1** Optional IAQ device

- Heat Pump Terminal Letters:**
- R** System power. Connect to secondary side of system transformer.
 - C** Common wire from secondary side of system transformer.
 - Y** 1st stage compressor contactor.
 - Y2** 2nd stage compressor contactor.
 - E/Aux** Auxiliary/Emergency heat relay.
 - G** Fan relay.
 - L** Heat pump reset (powered continuously when System is set to Em Heat; system monitor when set to Heat, Cool or Off).
 - O/B** Changeover valve for heat pumps.
 - S1/S2** Optional outdoor/remote/discharge sensor.
 - U1/U1** Optional IAQ device

NOTES:
Some form of auxiliary heat, such as electric strip heaters, is highly recommended to be installed.

TSS Associates, Inc.

DESCRIPTION
Honeywell Vision Pro 8000 - IDS - Electric Back-up Heat