

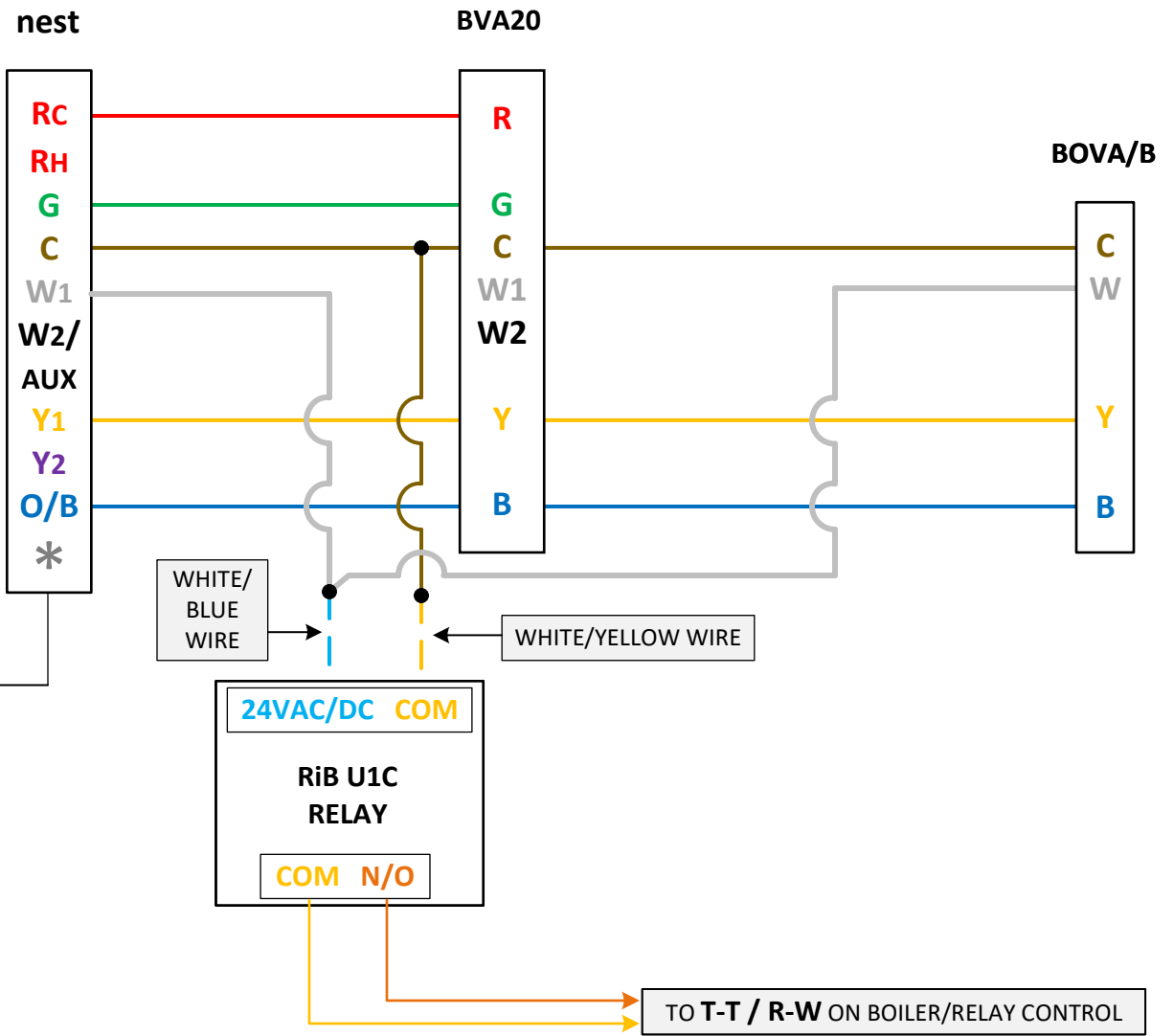
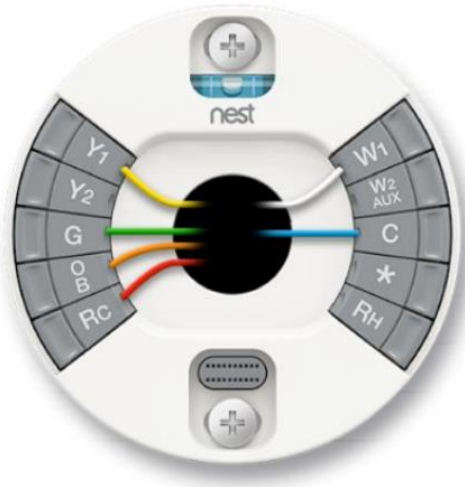


TSS Associates, Inc.



For further assistance, please contact
Nest directly for Tech Support

[Click to Contact Nest](#)



Can use either **RC** or **RH** for power – DO **NOT** JUMPER

NOTES:

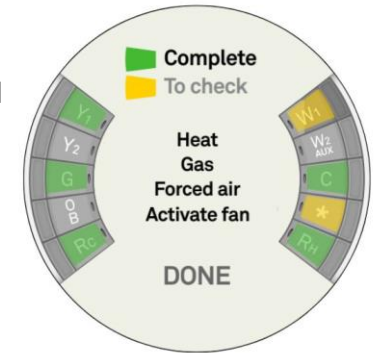
TSS Associates, Inc.	
DESCRIPTION NEST – IDS Plus-Premium – Boiler Back-up Heat	
DATE: 11/11/2022	PAGE: 1 of 5

Pro Setup:

- >> NEST will automatically configure itself upon initial setup and display green highlighted wires to indicate successful connection and yellow highlighted wires to indicate connections that need to be checked.
- >> Wifi setup is required to setup Compressor and Auxiliary Heat Lockout Temperatures required for Heat Pumps.
- >> Pro Setup can always be accessed by going to:

SETTINGS > EQUIPMENT > CONTINUE > CONTINUE > PRO SETUP

- >> Make sure to set **Reversing Valve to B (for Heat)** under Heat Pump settings.
- >> Set **Compressor Lockout Temperature: 10°F**
- >> Set **Auxiliary Heat Lockout Temperature: 40°F**
- >> Please refer to attached *Quick Reference Guide* for any questions.



- Type** > Alt. heat (dual fuel)
- Source** > Gas
- Delivery** > Forced air
- Fan** > Don't activate



NOTES:

TSS Associates, Inc.

DESCRIPTION

NEST – IDS Plus-Premium – Boiler Back-up Heat

DATE: 11/11/2022

PAGE: 2 of 5

Reference Materials

“How To” Quick Reference Guide

Action:	Steps:
Configuring Nest Thermostat for the installation location and HVAC system	<p>Just after installation, the Nest Thermostat will guide you through a set up interview, where you will configure it for the heating and cooling system it's controlling and for the home or business where it's installed.</p> <p>To help with HVAC configuration, the Nest Thermostat mechanically and electrically detects the wires inserted into its press connectors. When the Nest Thermostat senses which wires have been connected to its base, it will automatically configure its software for the system type it has detected.</p> <p>As an example, if it's a heat only system, the Nest Thermostat won't show any cooling options. If it's a heat pump, the Nest Thermostat will know and do a special test to check the orientation of the O/B wire.</p> <p>The set up interview will also guide you through connecting to the customer's Wi-Fi network, establishing the location through zip code, and establishing if the place of installation is a home or business. All of this information helps the Nest Thermostat to build a schedule that is best suited for the customer's needs.</p>
Use Pro Setup to configure your customer's HVAC system	<p>Pro Setup allows professionals to configure how the Nest Thermostat controls each wire connected to the base. Pro Setup is required when using dual fuel systems (e.g. heat pump with furnace), humidifiers and dehumidifiers.</p> <p>Pro Setup also offers configuration choices for other types of systems such as two-stage heat pumps and emergency heat. It is available to installation professionals during and after installation and allows them to specify how the Nest Thermostat should control the HVAC system.</p>
Testing the basic operation after installation	<p>Activate heating and cooling Simply turn the ring to set the current set point above or below the current ambient temperature in the room. You'll need to switch to and from heating and cooling modes as you do this.</p> <p>Switching modes To switch to and from heating and cooling modes, follow these steps:</p> <ol style="list-style-type: none">1. Press the ring to bring up the menu2. Select the Heating and Cooling icon3. Turn the ring to select HEAT or COOL4. Press the ring again to select <p>Note: To protect the heating and cooling systems it controls, Nest Thermostat's minimum on-off times for manual temperature adjustments are 2.5 minutes for heat pumps and air conditioning systems.</p>
Testing second stage or auxiliary heat after installation	<p>Conventional Heating Before Nest Thermostat activates Time-to-Temperature, second stage heat will turn on when the setpoint is 4°F or greater than the room's ambient temperature.</p> <p>Heat Pumps Auxiliary heat will turn on when the setpoint is 4°F and the outdoor temperature is below 50°F, the default auxiliary heat lockout temperature. Auxiliary lockout can be turned off in the Heat Pump section of Equipment Settings in order to test auxiliary heat.</p> <p>To test second stage or auxiliary heat at installation, just raise the temperature 4°F in heating mode with the auxiliary lockout turned off. Once Time to Temperature is activated, the Nest Thermostat will use this feature to manage second stage and auxiliary heat.</p>

<p>Switch between Heating, Cooling, and Range modes</p>	<p>To switch to and from heating and cooling modes, follow these steps:</p> <ol style="list-style-type: none"> 1. Press the ring to bring up the menu 2. Select the Heating and Cooling icon 3. Turn the ring to select HEAT, COOL, HEAT • COOL, or OFF 4. Press the ring again to select
<p>Heat Pump: Setting compressor and auxiliary lockout temperatures</p>	<p>Both auxiliary and compressor lockout temperatures can be changed in the Heat Pump section of the Equipment Settings menu. By default, the Nest Thermostat will lock out the auxiliary heater when the outdoor temperature is above 50°F but will not lockout the compressor at any temperature.</p> <p>The lockout temperatures are only enforced when the Nest Thermostat is connected to Wi-Fi so it can track outdoor temperatures.</p> <p>To access the Heat Pump section of Equipment settings:</p> <ol style="list-style-type: none"> 1. Press the ring to bring up the menu 2. Turn the ring and select SETTINGS 3. Turn the ring and select EQUIPMENT 4. Turn the ring and select HEAT PUMP
<p>Heat Pump: Change heat pump valve orientation</p>	<p>Follow these steps:</p> <ol style="list-style-type: none"> 1. Press the ring to bring up the menu 2. Turn the ring and select SETTINGS 3. Turn the ring and select EQUIPMENT 4. Turn the ring and select HEAT PUMP
<p>Adjust ECO Heating and Cooling Temperatures</p>	<p>These temperatures are set as the final step during the setup interview. But if the Nest Thermostat is already configured, here are the steps:</p> <ol style="list-style-type: none"> 1. Press the ring to bring up the menu 2. Turn the ring and select SETTINGS 3. Turn the ring and select ECO <p>Turn the ring to set the HEAT TO temperature. Press the ring to set the COOL TO temperature. Press the ring again when done.</p>
<p>Adjust Safety Temperatures</p>	<p>No matter the schedule, the Nest Thermostat will never let the home go above or below the safety temperatures. To adjust them, follow these steps:</p> <ol style="list-style-type: none"> 1. Press the ring to bring up the menu 2. Turn the ring and select SETTINGS 3. Turn the ring and select EQUIPMENT 4. Turn the ring and select SAFETY TEMP
<p>Restart or reset the settings on the thermostat</p>	<p>You may need to reset the settings if:</p> <ul style="list-style-type: none"> • You need to restart the thermostat • Reset Nest Sense features • To help with troubleshooting Wi-Fi issues • The thermostat needs to be reconfigured <p>Follow these steps to access the RESET settings:</p> <ol style="list-style-type: none"> 1. Press the ring to bring up the menu 2. Turn the ring and select SETTINGS 3. Turn the ring and select RESET 4. Select one of the following options: CANCEL, RESTART, SCHEDULE, AUTOAWAY, NETWORK, ALL SETTINGS

Setting fan speeds for systems with multi-speed fans

Follow these steps:

1. Press the ring to bring up the menu
2. Select the Fan icon
3. Choose System fan speed
4. Select the fan speed you'd like to use when your system is heating or cooling your home. You can choose Low, Medium, High or Auto, depending on your system's wiring.
5. Choose Done to set your system's fan speed

Downloading the Nest App, creating an account and pairing the Nest Thermostat

To download the Nest App and create an account follow these steps:

1. Download the Nest App on your customer's phone or tablet from the [Apple App Store](#) or [Google Play](#)
2. Open the Nest App and tap Sign up
3. Enter the customer's email address
4. Have your customer enter a password
5. Read and agree to the Nest Terms of Service
6. Have your customer check their email for a "Welcome to Nest" message and instruct them to tap on the included link to activate their Nest Account

To pair the Nest Thermostat with the customer's account follow these steps:

1. Press the thermostat's ring to open the Quick View menu
2. Choose SETTINGS
3. Turn the ring to Nest Account and press the ring to select it
4. Select Get Entry Key and write it down
5. Open the Nest App
6. From the home screen, tap the Settings icon
7. Tap Add product
8. Scan the QR code on the back of the thermostat or tap Continue without scanning and then Nest Thermostat
9. Follow the Nest App's instructions, when prompted type in the entry key you obtained in step 4

You'll see the thermostat appear on the Nest App home screen. Tap the thermostat icon to control it and change settings.

Tips on providing a "Nesty" experience

- Demonstrate how to use the Nest Thermostat:
 - basic temp changes
 - home/eco mode manual switching
 - switching between heat/cool modes, etc.
 - changing the temperature schedule
 - running the fan
- Demonstrate how to use the Nest App
- Explain features like Energy History and Home Report