



# TSS Associates, Inc.



For further assistance, please contact  
Ecobee directly for Tech Support

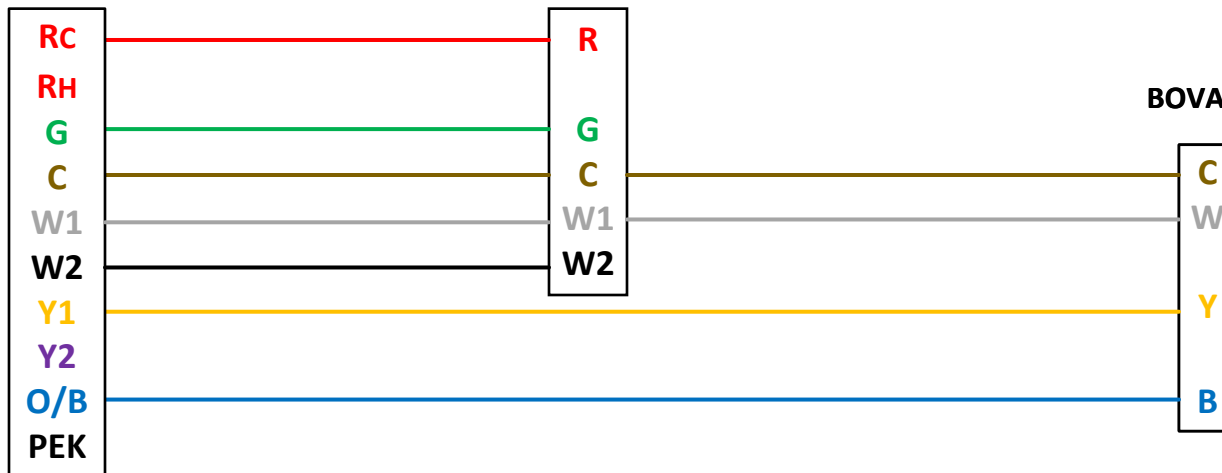
---

1-877-932-6233

ecobee3 lite

BVA15

BOVA/B



DO **NOT** JUMPER **RC** and **RH**,  
ecobee does this automatically.  
**R** can go into either **RC** or **RH**  
terminals on your ecobee.

NOTES:

**PEK** = Power Extender Kit = if there is no Common wire

**TSS Associates, Inc.**

DESCRIPTION

**IDS Light w/ Electric Heat Back-up & ecobee3 lite**

DATE: 7/20/2022

PAGE: 1 of 2

**PARAMETERS:**

- >> Transformer > **YES, ONLY Rc IS CONNECTED**
- >> Configuration > Make sure highlighted icons correspond with wires installed
- >> Equipment > **HEAT PUMP > AIR TO AIR**
- >> O/B Reversing Valve > **ON HEAT**
- >> Allow Heat Pump and Aux Heat to run simultaneously > **ENABLE**
- >> Compressor Minimum Outdoor Temperature > **10°F**
- >> Type of heating > **FURNACE**
- >> How do you want your fan to be controlled > **FURNACE**

↳ **MAIN MENU > SETTINGS > INSTALLATION SETTINGS (ADVANCED OPTIONS) > THRESHOLDS:**

- >> Threshold Staging > **AUTOMATIC**
- >> Aux Savings Optimization > **SUPER (2°F DROOP)**
- >> Auto Heat/Cool > **AUTO**
- >> Heat/Cool Minimum Delta > **5°F**
- >> Compressor Minimum Cycle Off Time > **0 SEC**
- >> Aux Heat Max Outdoor Temperature > **40°F**
- >> Compressor to Aux Temperature Delta [droop] > **AUTO** (factory default, adjust if receiving many “Aux heat running” alerts)
- >> Compressor to Aux Runtime > **AUTO** (factory default, adjust if receiving many “Aux heat running” alerts)

**NOTES:**

Auxiliary/Emergency heat is Electric-strip installed in AHU. Some form of back-up heat is highly recommended to be installed.

**TSS Associates, Inc.**

DESCRIPTION

**IDS Light w/ Electric Heat Back-up & ecobee3 lite**

DATE: 7/20/2022

PAGE: 2 of 2