

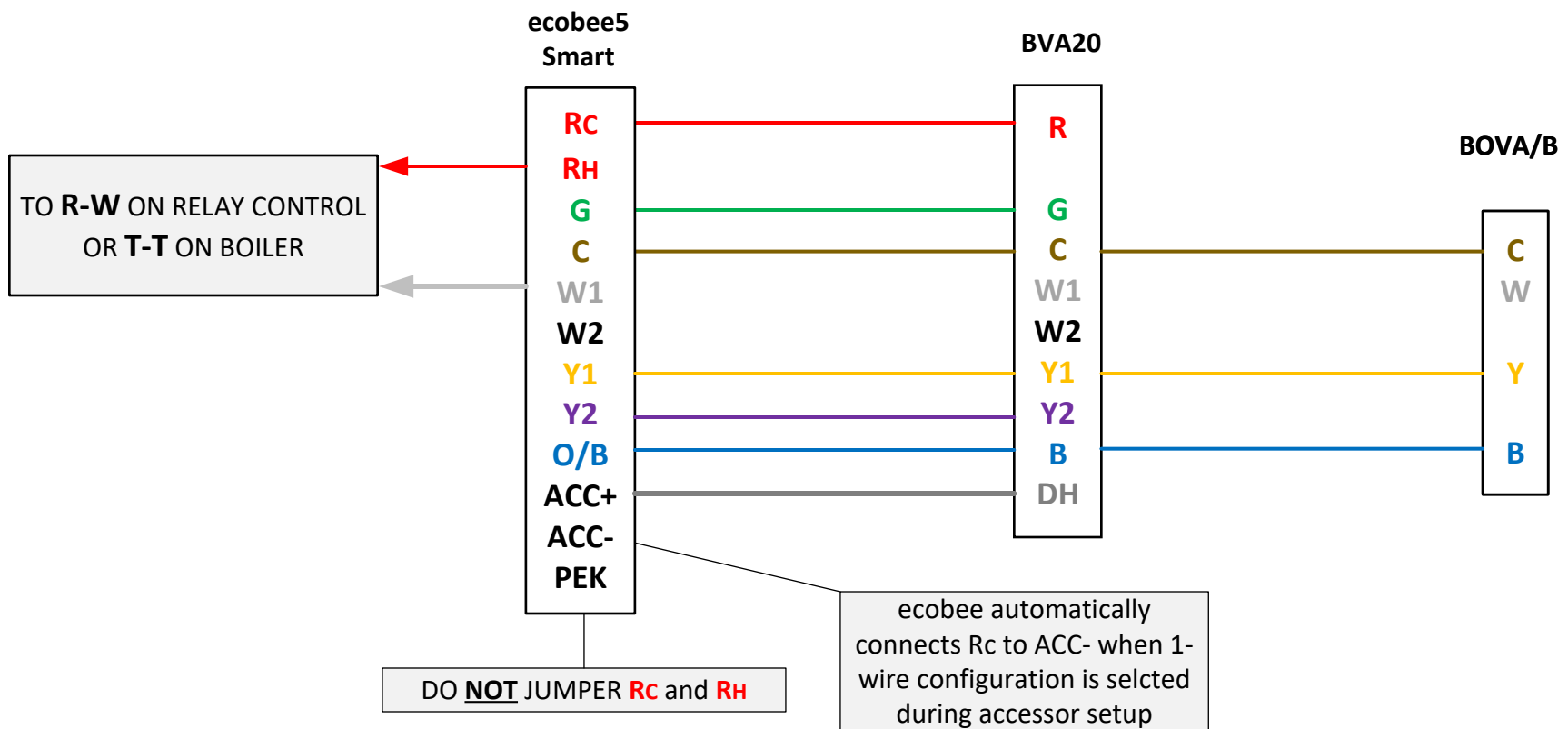


TSS Associates, Inc.



For further assistance, please contact
Ecobee directly for Tech Support

1-877-932-6233



NOTES:

For use with a boiler feeding baseboard or radiators as auxiliary heat

ACC+/- = Accessory: Dehumidifier, humidifier, ventilators, HRV, or ERV

PEK = Power Extender Kit = if there is no Common wire

TSS Associates, Inc.

DESCRIPTION

IDS Plus/Premium w/ Boiler Heat Back-up & ecobee5

DATE: 7/20/2022

PAGE: 1 of 2

PARAMETERS:

- >> Transformer > **NO, Rc AND Rh ARE CONNECTED**
- >> Configuration > Make sure highlighted icons correspond with wires installed
- >> Equipment > **HEAT PUMP > AIR TO AIR**
- >> O/B Reversing Valve > **ON HEAT**
- >> Allow Heat Pump and Aux Heat to run simultaneously > **DISABLE**
- >> Compressor Minimum Outdoor Temperature > **35°F**
- >> Type of heating > **BOILER**
- >> How do you want your fan to be controlled > **BY THERMOSTAT**

↳ **MAIN MENU > SETTINGS > INSTALLATION SETTINGS (ADVANCED OPTIONS) > THRESHOLDS:**

- >> Threshold Staging > **AUTOMATIC**
- >> Aux Savings Optimization > **SUPER (2°F DROOP)**
- >> Auto Heat/Cool > **AUTO**
- >> Heat/Cool Minimum Delta > **5°F**
- >> Compressor Minimum Cycle Off Time > **0 SEC**
- >> Compressor Stage 2 Temperature Delta > **1°F**
- >> Compressor Reverse Staging > **ENABLE**
- >> Aux Heat Max Outdoor Temperature > **45°F**
- >> Compressor to Aux Temperature Delta [droop] > **3°F**
- >> Compressor to Aux Runtime > **DISABLE**

↳ **MAIN MENU > SETTINGS > INSTALLATION SETTINGS (ADVANCED OPTIONS) > EQUIPMENT > DEHUMIDIFER:**

- >> Dehumidify with Fan > **YES**
- >> Min Runtime Delta > **5%**
- >> Dehumidify in Heat Mode > **NO**
- >> Dehumidifier Active > **CLOSED**

↳ *To set desired humidity percentage* > **MAIN MENU > SYSTEM > DEHUMIDIFER:**

- >> Dehumidifier > **ON**
- >> Preferred humidity level > **60%**

NOTES:

TSS Associates, Inc.

DESCRIPTION

IDS Plus/Premium w/ Boiler Heat Back-up & ecobee5

DATE: 7/20/2022

PAGE: 2 of 2