



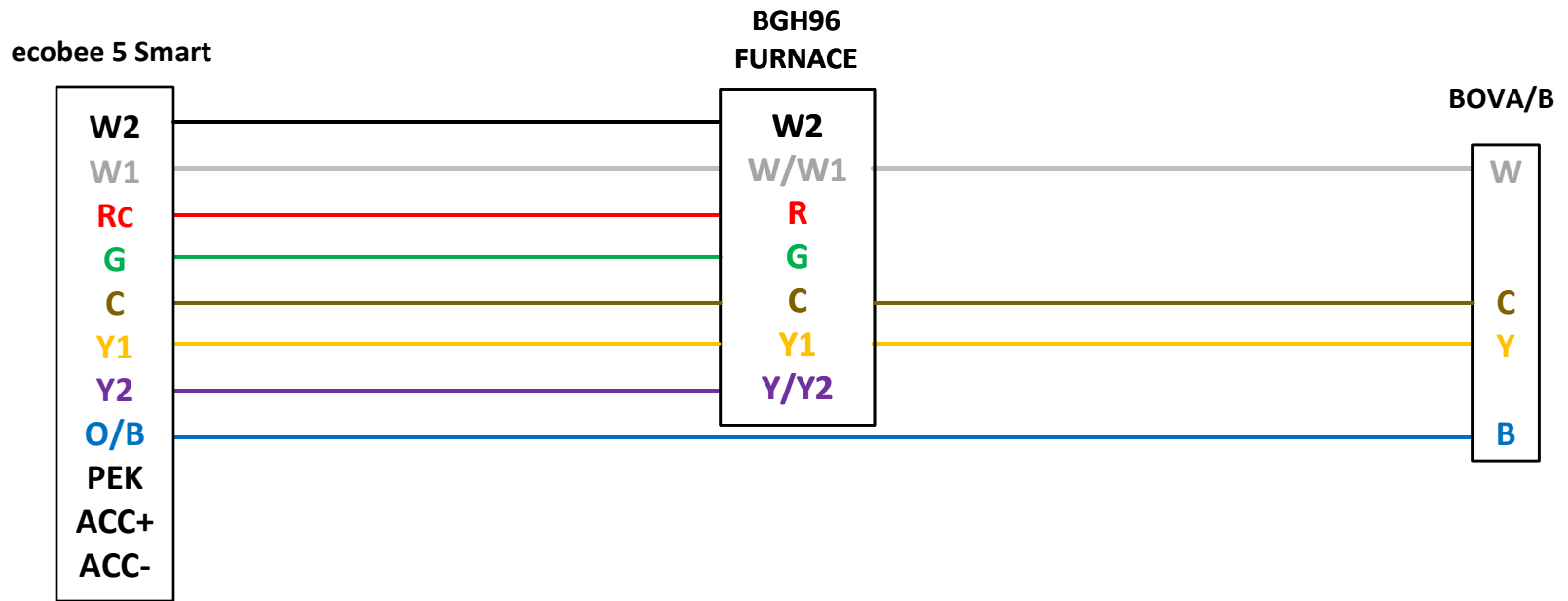
# TSS Associates, Inc.



For further assistance, please contact  
Ecobee directly for Tech Support

---

1-877-932-6233



DO **NOT** JUMPER **RC** and **RH**,  
ecobee does this automatically

NOTES:  
If not wiring **W1/W2**, can adjust dip switch **S1-1** and **S1-2** on BGH96 to achieve Second Stage gas heat.

**ACC+/-** = Accessory: Dehumidifier, humidifier, ventilators, HRV, or ERV  
**PEK** = Power Extender Kit = if there is no Common wire

**TSS Associates, Inc.**

DESCRIPTION  
ecobee 5 Smart - Bosch Furnace - BOVA/B

DATE: 7/20/2022

PAGE: 1 of 2

**PARAMETERS:**

- >> Transformer > **YES, ONLY Rc IS CONNECTED**
- >> Configuration > Make sure highlighted icons correspond with wires installed
- >> Equipment > **HEAT PUMP > AIR TO AIR**
- >> O/B Reversing Valve > **ON HEAT**
- >> Allow Heat Pump and Aux Heat to run simultaneously > **DISABLE**
- >> Compressor Minimum Outdoor Temperature > **15°F**
- >> Type of heating > **FURNACE**
- >> How do you want your fan to be controlled > **BY THERMOSTAT**

↳ **MAIN MENU > SETTINGS > INSTALLATION SETTINGS (ADVANCED OPTIONS) > THRESHOLDS:**

- >> Threshold Staging > **AUTOMATIC**
- >> Aux Savings Optimization > **SUPER (2°F DROOP)**
- >> Auto Heat/Cool > **AUTO**
- >> Heat/Cool Minimum Delta > **5°F**
- >> Compressor Minimum Cycle Off Time > **0 SEC**
- >> Compressor Stage 2 Temperature Delta > **1°F**
- >> Compressor Reverse Staging > **ENABLE**
- >> Aux Heat Max Outdoor Temperature > **45°F**
- >> Compressor to Aux Temperature Delta [droop] > **3°F**
- >> Compressor to Aux Runtime > **DISABLE**
- >> Aux Stage 2 Temperature Delta > **1°F**
- >> Aux Reverse Staging > **ENABLE**

NOTES:

**TSS Associates, Inc.**

DESCRIPTION

ecobee 5 Smart - Bosch Furnace - BOVA/B

DATE: 7/20/2022

PAGE: 2 of 2