

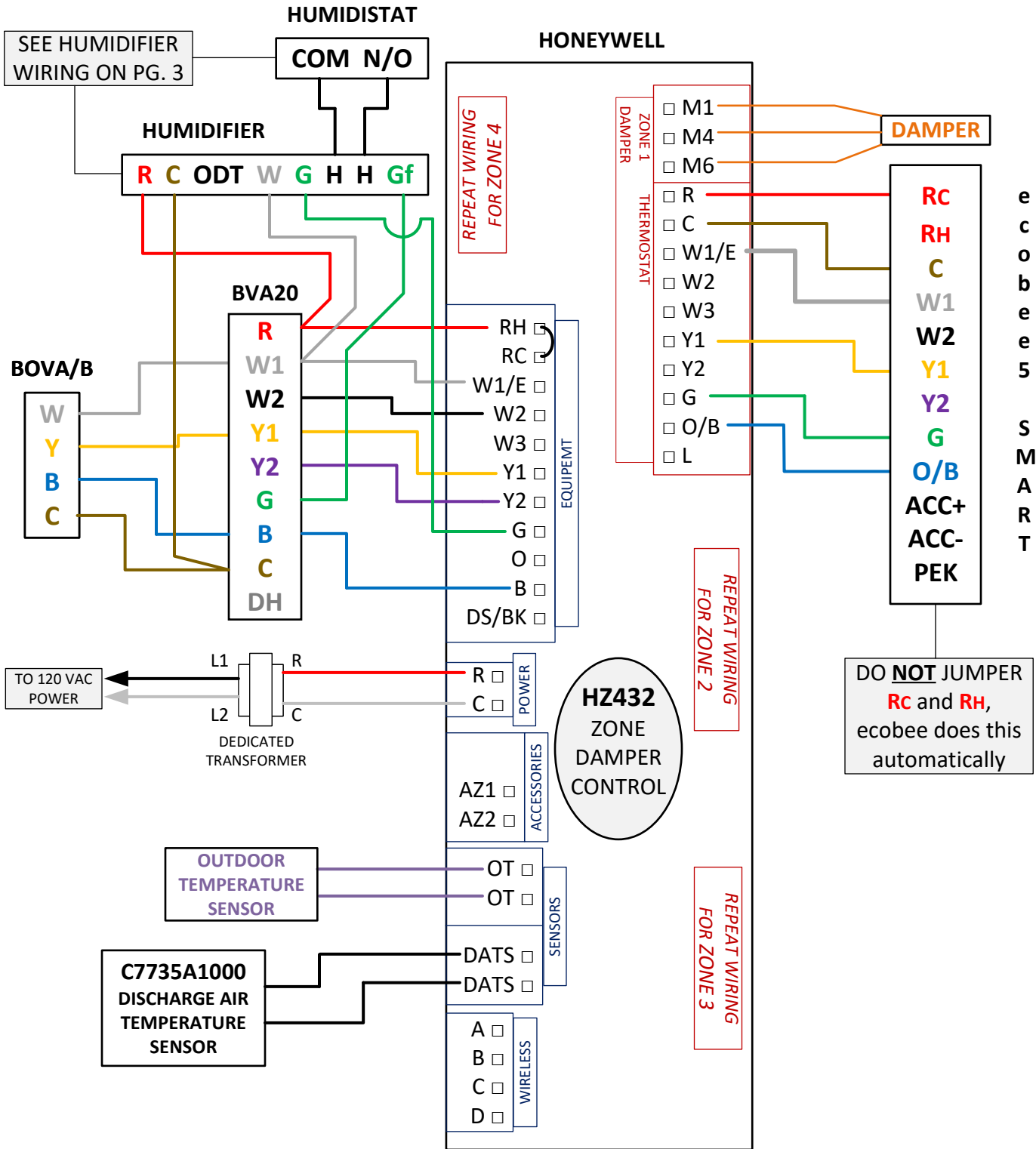


TSS Associates, Inc.



For further assistance, please contact
Ecobee directly for Tech Support

1-877-932-6233



NOTES:

TSS Associates, Inc.

DESCRIPTION
ecobee5 Smart - HZ432 - IDS PLUS/PREMIUM

DATE: 9/28/2022

PAGE: 1 of 3

PARAMETERS:

- >> Transformer > **YES, ONLY Rc IS CONNECTED**
- >> Configuration > Make sure highlighted icons correspond with wires installed
- >> Equipment > **HEAT PUMP > AIR TO AIR**
- >> O/B Reversing Valve > **ON HEAT**
- >> Allow Heat Pump and Aux Heat to run simultaneously > **ENABLE**
- >> Compressor Minimum Outdoor Temperature > **OFF**
- >> Type of heating > **FURNACE**
- >> How do you want your fan to be controlled > **BY THERMOSTAT**

↳ **MAIN MENU > SETTINGS > INSTALLATION SETTINGS (ADVANCED OPTIONS) > THRESHOLDS:**

- >> Threshold Staging > **MANUAL**
- >> Aux Savings Optimization > **SUPER (2°F DROOP)**
- >> Auto Heat/Cool > **AUTO**
- >> Heat/Cool Minimum Delta > **5°F**
- >> Compressor Minimum Cycle Off Time > **300 SEC**
- >> Compressor Stage 2 Temperature Delta > **OFF**
- >> Compressor Reverse Staging > **DISABLE**
- >> Aux Heat Max Outdoor Temperature > **40°F**
- >> Compressor to Aux Temperature Delta [droop] > **2°F**
- >> Compressor to Aux Runtime > **AUTO** (factory default, adjust if receiving many "Aux heat running" alerts)
- >> Aux Stage 2 Temperature Delta > **OFF**
- >> Aux Reverse Staging > **DISABLE**

ZONE CONTROL PARAMETERS:

SYSTEM TYPE: [HEATPUMP]
DUAL FUEL OPER: [YES]
COMPRESSOR STAGES: [2]
DUAL FUEL OPERATION: [YES]
DFUEL HT STAGES: [2]
RF ENABLED: [NO] ***THIS OPTION IS ONLY USED IF YOU ARE INSTALLING WIRELESS CONTROLLERS***
ZONES INSTALLED: **SELECT APPROPRIATE NUMBER OF ZONES BEING USED**
ZONE1 TSTAT TYPE: [HTPUMP-B] → REPEAT THIS SELECTION FOR EACH ZONE
STAGE 2 CONTROL: [TIMER]
STAGE 3 CONTROL: [OFF]
ADVANCED CONFIG? [YES] → HEAT FAN CONTROL: [HVAC]
STAGE 2 TIMER: [30]
DISCHARGE SENSOR: [YES]
DAT HIGH LIMIT: [145]
OT SENSOR: [YES]
OT BALANCE TEMP: [20]
SAVE CHANGES? [YES]

NOTES:

TSS Associates, Inc.

DESCRIPTION

ecobee5 Smart - HZ432 - IDS PLUS/PREMIUM

DATE: 9/28/2022

PAGE: 2 of 3

FIGURE 13– STEAM HUMIDIFIER ACCESSORY WIRING

**MODEL 62 DIGITAL HUMIDIFIER CONTROL
24V TERMINALS**

