



# TSS Associates, Inc.

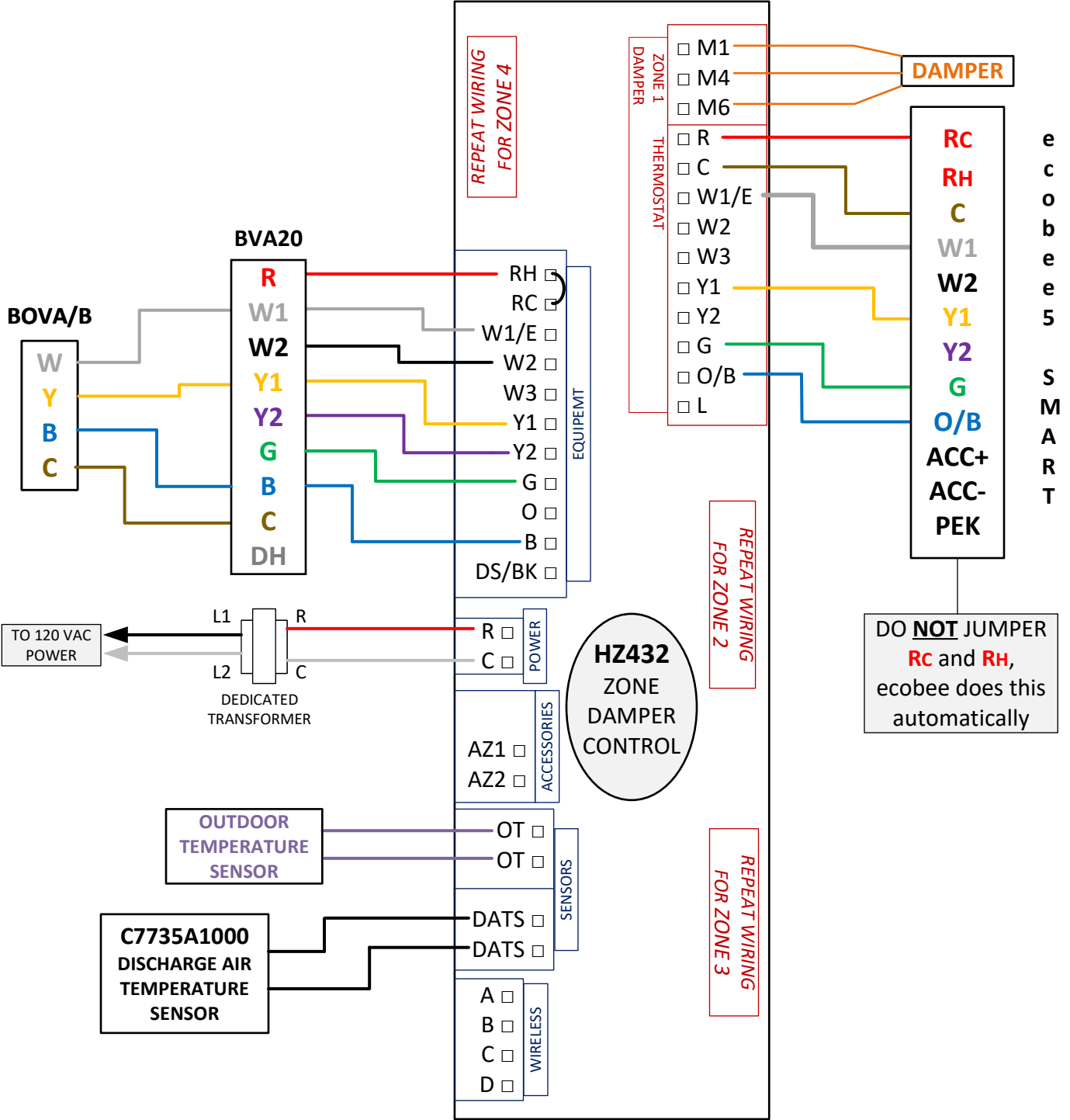


For further assistance, please contact  
Ecobee directly for Tech Support

---

1-877-932-6233

**HONEYWELL**



NOTES:

**TSS Associates, Inc.**

DESCRIPTION  
ecobee5 Smart - HZ432 - IDS PLUS/PREMIUM

**PARAMETERS:**

- >> Transformer > **YES, ONLY Rc IS CONNECTED**
- >> Configuration > Make sure highlighted icons correspond with wires installed
- >> Equipment > **HEAT PUMP > AIR TO AIR**
- >> O/B Reversing Valve > **ON HEAT**
- >> Allow Heat Pump and Aux Heat to run simultaneously > **ENABLE**
- >> Compressor Minimum Outdoor Temperature > **OFF**
- >> Type of heating > **FURNACE**
- >> How do you want your fan to be controlled > **BY THERMOSTAT**

↳ **MAIN MENU > SETTINGS > INSTALLATION SETTINGS (ADVANCED OPTIONS) > THRESHOLDS:**

- >> Threshold Staging > **MANUAL**
- >> Aux Savings Optimization > **SUPER (2°F DROOP)**
- >> Auto Heat/Cool > **AUTO**
- >> Heat/Cool Minimum Delta > **5°F**
- >> Compressor Minimum Cycle Off Time > **300 SEC**
- >> Compressor Stage 2 Temperature Delta > **OFF**
- >> Compressor Reverse Staging > **DISABLE**
- >> Aux Heat Max Outdoor Temperature > **40°F**
- >> Compressor to Aux Temperature Delta [droop] > **2°F**
- >> Compressor to Aux Runtime > **AUTO** (factory default, adjust if receiving many "Aux heat running" alerts)
- >> Aux Stage 2 Temperature Delta > **OFF**
- >> Aux Reverse Staging > **DISABLE**

**ZONE CONTROL PARAMETERS:**

SYSTEM TYPE: [HEATPUMP]  
DUAL FUEL OPER: [YES]  
COMPRESSOR STAGES: [2]  
DUAL FUEL OPERATION: [YES]  
DFUEL HT STAGES: [2]  
RF ENABLED: [NO] *\*\*THIS OPTION IS ONLY USED IF YOU ARE INSTALLING WIRELESS CONTROLLERS\*\**  
ZONES INSTALLED: **SELECT APPROPRIATE NUMBER OF ZONES BEING USED**  
ZONE1 TSTAT TYPE: [HTPUMP-B] → REPEAT THIS SELECTION FOR EACH ZONE  
STAGE 2 CONTROL: [TIMER]  
STAGE 3 CONTROL: [OFF]  
ADVANCED CONFIG? [YES] → HEAT FAN CONTROL: [HVAC]  
STAGE 2 TIMER: [30]  
DISCHARGE SENSOR: [YES]  
DAT HIGH LIMIT: [145]  
OT SENSOR: [YES]  
OT BALANCE TEMP: [20]  
SAVE CHANGES? [YES]

NOTES:

**TSS Associates, Inc.**

DESCRIPTION

ecobee5 Smart - HZ432 - IDS PLUS/PREMIUM

DATE: 9/28/2022

PAGE: 2 of 3

**FIGURE 13- STEAM HUMIDIFIER ACCESSORY WIRING**

**APRILAIRE 800**  
**MODEL 62 DIGITAL HUMIDIFIER CONTROL**  
**24V TERMINALS**

