



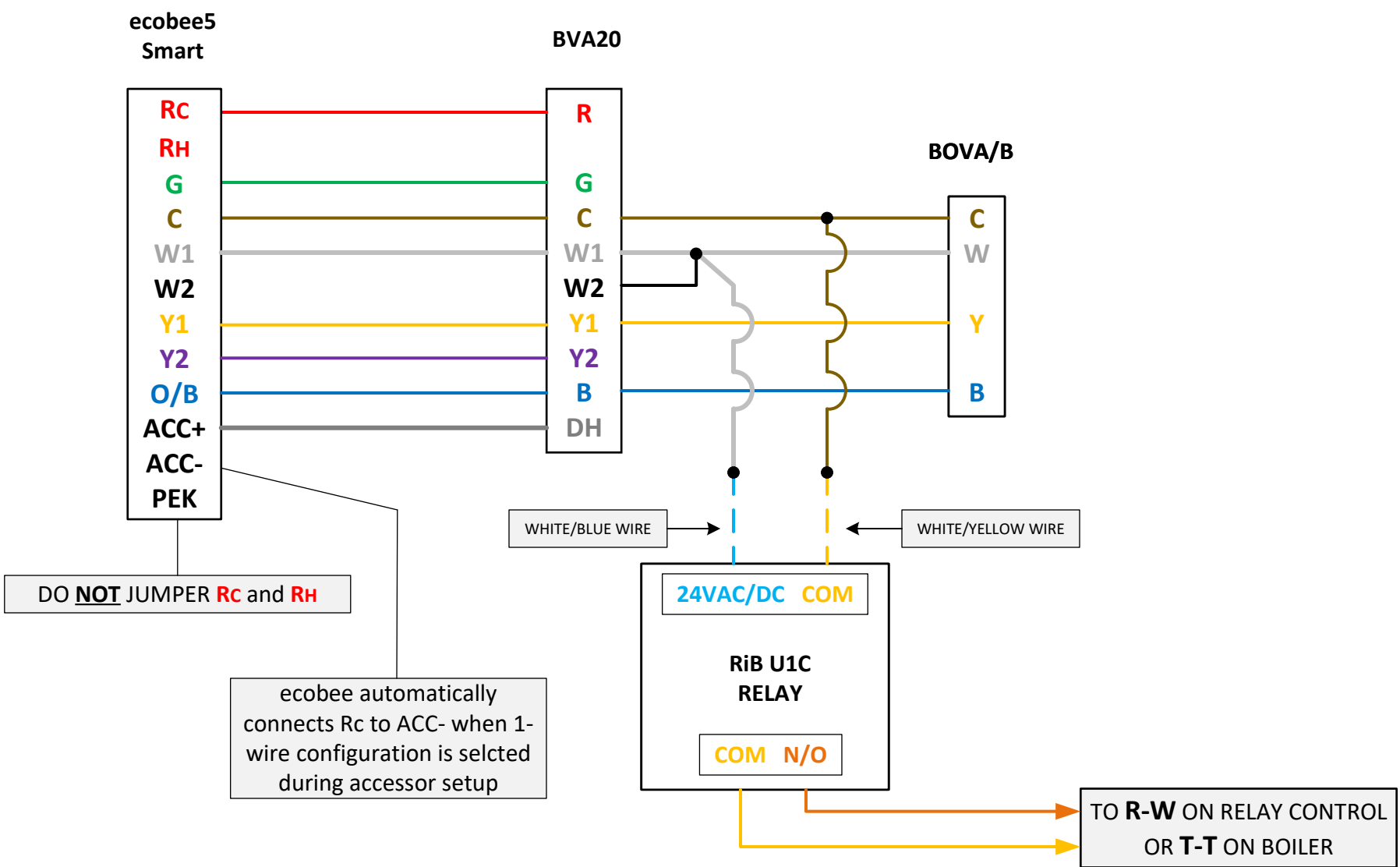
# TSS Associates, Inc.



For further assistance, please contact  
Ecobee directly for Tech Support

---

1-877-932-6233



NOTES:  
**ACC+/-** = Accessory: Dehumidifier, humidifier, ventilators, HRV, or ERV  
**PEK** = Power Extender Kit = if there is no Common wire

**TSS Associates, Inc.**

DESCRIPTION  
**IDS Plus/Premium w/ Hydronic Coil & ecobee5**

**PARAMETERS:**

- >> Transformer > **YES, ONLY Rc IS CONNECTED**
- >> Configuration > Make sure highlighted icons correspond with wires installed
- >> Equipment > **HEAT PUMP > AIR TO AIR**
- >> O/B Reversing Valve > **ON HEAT**
- >> Allow Heat Pump and Aux Heat to run simultaneously > **DISABLE**
- >> Compressor Minimum Outdoor Temperature > **20°F**
- >> Type of heating > **BOILER**
- >> How do you want your fan to be controlled > **BY THERMOSTAT**

↳ **MAIN MENU > SETTINGS > INSTALLATION SETTINGS (ADVANCED OPTIONS) > THRESHOLDS:**

- >> Threshold Staging > **AUTOMATIC**
- >> Aux Savings Optimization > **SUPER (2°F DROOP)**
- >> Auto Heat/Cool > **AUTO**
- >> Heat/Cool Minimum Delta > **5°F**
- >> Compressor Minimum Cycle Off Time > **0 SEC**
- >> Compressor Stage 2 Temperature Delta > **1°F**
- >> Compressor Reverse Staging > **ENABLE**
- >> Aux Heat Max Outdoor Temperature > **50°F**
- >> Compressor to Aux Temperature Delta [droop] > **3°F**
- >> Compressor to Aux Runtime > **DISABLE**

↳ **MAIN MENU > SETTINGS > INSTALLATION SETTINGS (ADVANCED OPTIONS) > EQUIPMENT > DEHUMIDIFER:**

- >> Dehumidify with Fan > **YES**
  - >> Min Runtime Delta > **5%**
  - >> Dehumidify in Heat Mode > **NO**
  - >> Dehumidifier Active > **CLOSED**
- ↳ *To set desired humidity percentage > MAIN MENU > SYSTEM > DEHUMIDIFER:*
- >> Dehumidifier > **ON**
  - >> Preferred humidity level > **60%**

NOTES:

**TSS Associates, Inc.**

DESCRIPTION

**IDS Plus/Premium w/ Hydronic Coil & ecobee5**

DATE: 7/20/2022

PAGE: 2 of 2