



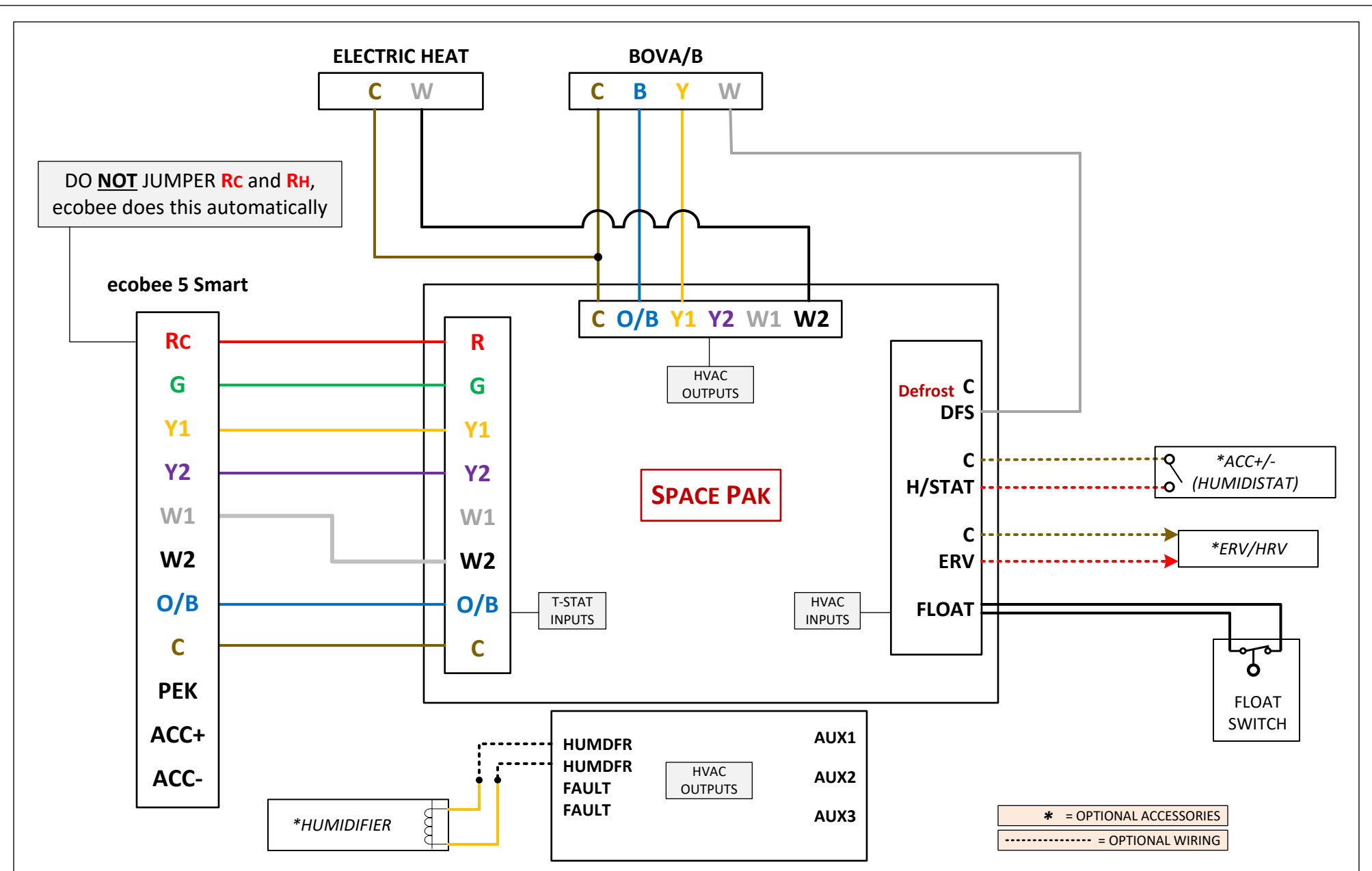
# TSS Associates, Inc.



For further assistance, please contact  
Ecobee directly for Tech Support

---

1-877-932-6233



- NOTES:
- > Defrost [DFS] energizes fan and **W2** output relay
  - > **W2** input energizes fan and **W2** output relay
  - > Installation of EEH Electric Back-up Heat Kit is highly recommended

**PARAMETERS:**

- >> Transformer > **YES, ONLY Rc IS CONNECTED**
- >> Configuration > Make sure highlighted icons correspond with wires installed
- >> Equipment > **HEAT PUMP > AIR TO AIR**
- >> O/B Reversing Valve > **ON HEAT**
- >> Allow Heat Pump and Aux Heat to run simultaneously > **ENABLE**
- >> Compressor Minimum Outdoor Temperature > **0°F**
- >> Type of heating > **FURNACE**
- >> How do you want your fan to be controlled > **BY EQUIPMENT**

↳ **MAIN MENU > SETTINGS > INSTALLATION SETTINGS (ADVANCED OPTIONS) > THRESHOLDS:**

- >> Threshold Staging > **AUTOMATIC**
- >> Aux Savings Optimization > **SUPER (2°F DROOP)**
- >> Auto Heat/Cool > **AUTO**
- >> Heat/Cool Minimum Delta > **5°F**
- >> Compressor Minimum Cycle Off Time > **0 SEC**
- >> Compressor Stage 2 Temperature Delta > **1°F**
- >> Compressor Reverse Staging > **ENABLE**
- >> Aux Heat Max Outdoor Temperature > **40°F**
- >> Compressor to Aux Temperature Delta [droop] > **2°F**
- >> Compressor to Aux Runtime > **AUTO** (factory default, adjust if receiving many “Aux heat running” alerts)
- >> Aux Stage 2 Temperature Delta > **1°F**
- >> Aux Reverse Staging > **ENABLE**

↳ **MAIN MENU > SETTINGS > INSTALLATION SETTINGS (ADVANCED OPTIONS) > EQUIPMENT > HUMIDIFIER:**

- >> Humidify with Fan > **YES**
- >> Min Runtime Delta > **5%**
- >> Humidify in Heat Mode > **YES**
- >> Humidifier Active > **CLOSED**

↳ *To set desired humidity percentage* > **MAIN MENU > SYSTEM > HUMIDIFIER:**

- >> Humidifier > **ON**
- >> Preferred humidity level > **60%**

*\*Optional, only if a Humidifier is installed\**

NOTES:

Some form of back-up heat is highly recommended to be installed.

Some of these parameters may not come up during initial thermostat set-up. Once at ‘home’ screen, press and hold ‘Menu’ button for 5 seconds and go into ‘Device Settings’ to configure remaining parameters.

**TSS Associates, Inc.**

DESCRIPTION

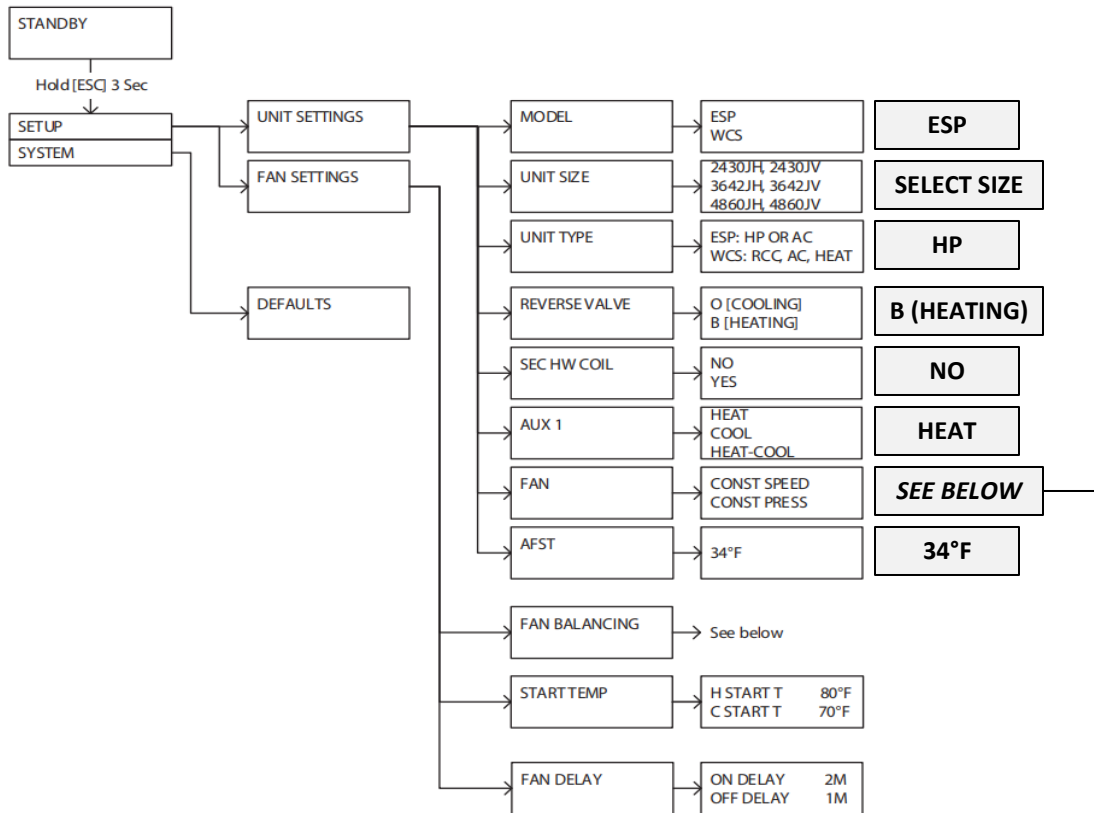
ECOBEE 5 SMART - SPACEPAK ESP-J(PLUS) - BOVA/B

DATE: 7/20/2022

PAGE: 2 of 3

# SECTION 3: START-UP & COMMISSIONING

## Controls Overview/Features/Setpoints



**CHOOSE IF YOU WANT FAN TO BE RUN BASED ON SPEED OR STATIC PRESSURE:**

FAN BALANCING – CONSTANT SPEED				FAN BALANCING – CONSTANT PRESSURE			
Y1:	SPEED%	Y1% PRESS	CFM	Y1:	ST PRESS	Y1 SP PRESS	CFM
Y2:	SPEED%	50 0.4	350	Y2:	ST PRESS	1.2 0.51	350
Y12:	SPEED%	Y2% PRESS	CFM	Y12:	ST PRESS	Y2 SP PRESS	CFM
W1:	SPEED%	50 0.4	350	W1:	ST PRESS	1.2 0.51	350
W2:	SPEED%	Y12% PRESS	CFM	W2:	ST PRESS	Y12 SP PRESS	CFM
W12:	SPEED%	50 0.4	350	W12:	ST PRESS	1.2 0.51	350
G:	SPEED%	W1% PRESS	CFM	G:	ST PRESS	W1 SP PRESS	CFM
HUM:	SPEED%	50 0.4	350	HUM:	ST PRESS	1.2 0.51	350
ERV:	SPEED%	W2% PRESS	CFM	ERV:	ST PRESS	W2 SP PRESS	CFM
DFS:	SPEED%	50 0.4	350	DFS:	ST PRESS	1.2 0.51	350
		W12% PRESS	CFM			W12 SP PRESS	CFM
		50 0.4	350			1.2 0.51	350
		G% PRESS	CFM			G SP PRESS	CFM
		50 0.4	350			1.2 0.51	350
		HUM% PRESS	CFM			HUM SP PRESS	CFM
		50 0.4	350			1.2 0.51	350
		ERV% PRESS	CFM			ERV SP PRESS	CFM
		50 0.4	350			1.2 0.51	350
		DF% PRESS	CFM			DF SP PRESS	CFM
		50 0.4	350			1.2 0.51	350

NOTES:  
 Guide for ESP-J(PLUS) Control Board Initial Setup:  
 See pages 25-31 in IOM for more details.

**TSS Associates, Inc.**

---

DESCRIPTION  
 ECOBEE 5 SMART - SPACEPAK ESP-J(PLUS) - BOVA/B

---

DATE: 7/20/2022      PAGE: 3 of 3