



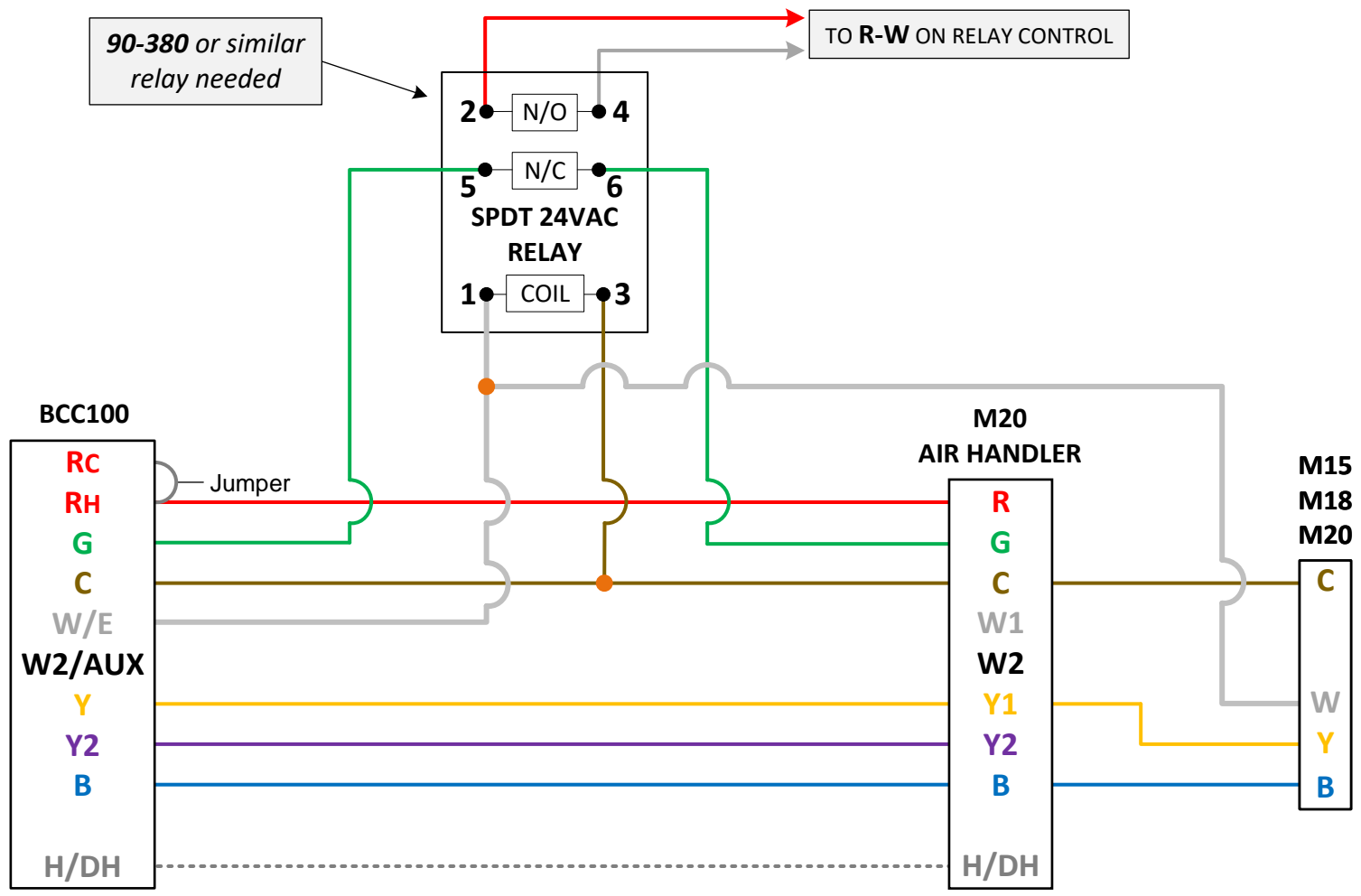
# TSS Associates, Inc.



For further assistance, please contact  
TSS Associates for Tech Support

---

518-621-7283



90-380 or similar relay needed

TO R-W ON RELAY CONTROL

..... = OPTIONAL WIRING

NOTES:  
 For applications with a boiler and baseboard, radiators, or radiant as auxiliary heat.  
 Thermostat controls fan through **Single Pole Double Throw** relay.  
 When Auxiliary Heat is activated through thermostat, fan signal is deactivated to AHU through relay.

# TSS Associates, Inc.

DESCRIPTION		
BOSCH BCC100 – IDS – M20 AHU – BOILER BACK-UP – FAN RELAY		
DATE:	1/4/2024	PAGE: 2 of 3

**PARAMETERS:**



FOSSIL FUEL

Fan Control - Set to **Appliance**

HEAT PUMP

Reversing Valve - Set to **Energized in Heat**  
 Balance Point - Set to **Whatever temperature is desired based upon homeowner comfort and energy costs**  
 Changeover Delay - Set to **45sec**

Stages → Set FOSSIL FUEL Stages to **1**  
 HEAT PUMP Stages to **2**

Accessories → Set to **NONE**  
 or see below

Advanced Settings → Installer Access → Enter code **1886** then **ST**

Latching → Set to **Enable**

Stage Delay → Set to **20 minutes**


Stage Temp → Set to **3°F**

**NOTES: IF DH IS WIRED:**

Select **Dehumidifier** → SET UP

**COOL TO DEHUMIDIFY:**

- Set to **Enable** to active only during a call for cooling
- Set to **Disable** to active regardless of a call for cooling

- You can set a desired RH% Level to be met in MODE by selecting  and then selecting: Automatic Control – **YES**

**TSS Associates, Inc.**

DESCRIPTION  
 BOSCH BCC100 – IDS – M20 AHU – BOILER BACK-UP – FAN DELAY