



TSS Associates, Inc.



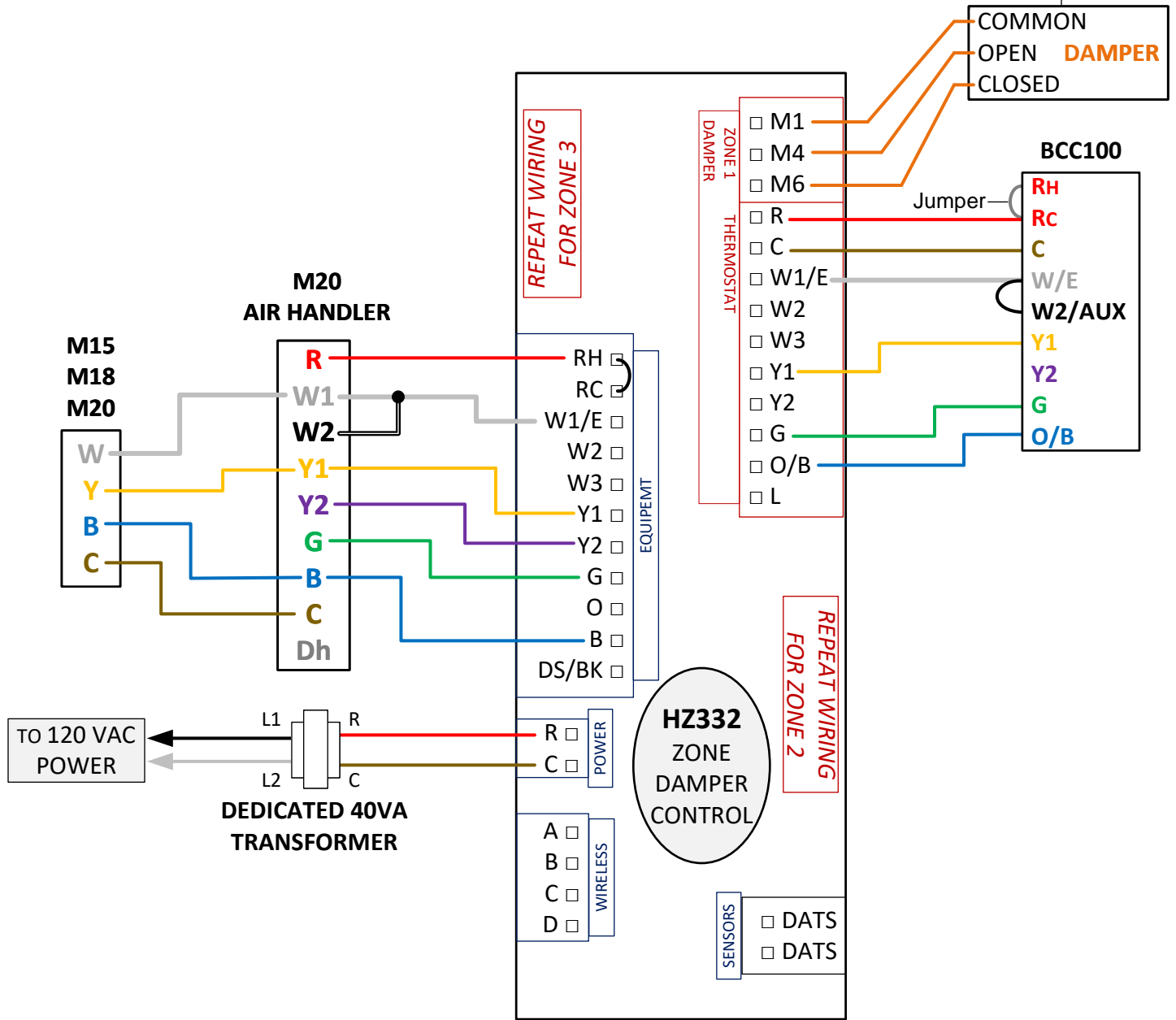
BOSCH

Invented for life

For further assistance, please contact
TSS Associates for Tech Support

518-621-7283

****IF WIRING MULTIPLE DAMPERS IN SERIES ON ONE ZONE, USE A DEDICATED TRANSFORMER AND ISOLATION RELAY AT EACH ZONE**



NOTES:

TSS Associates, Inc.

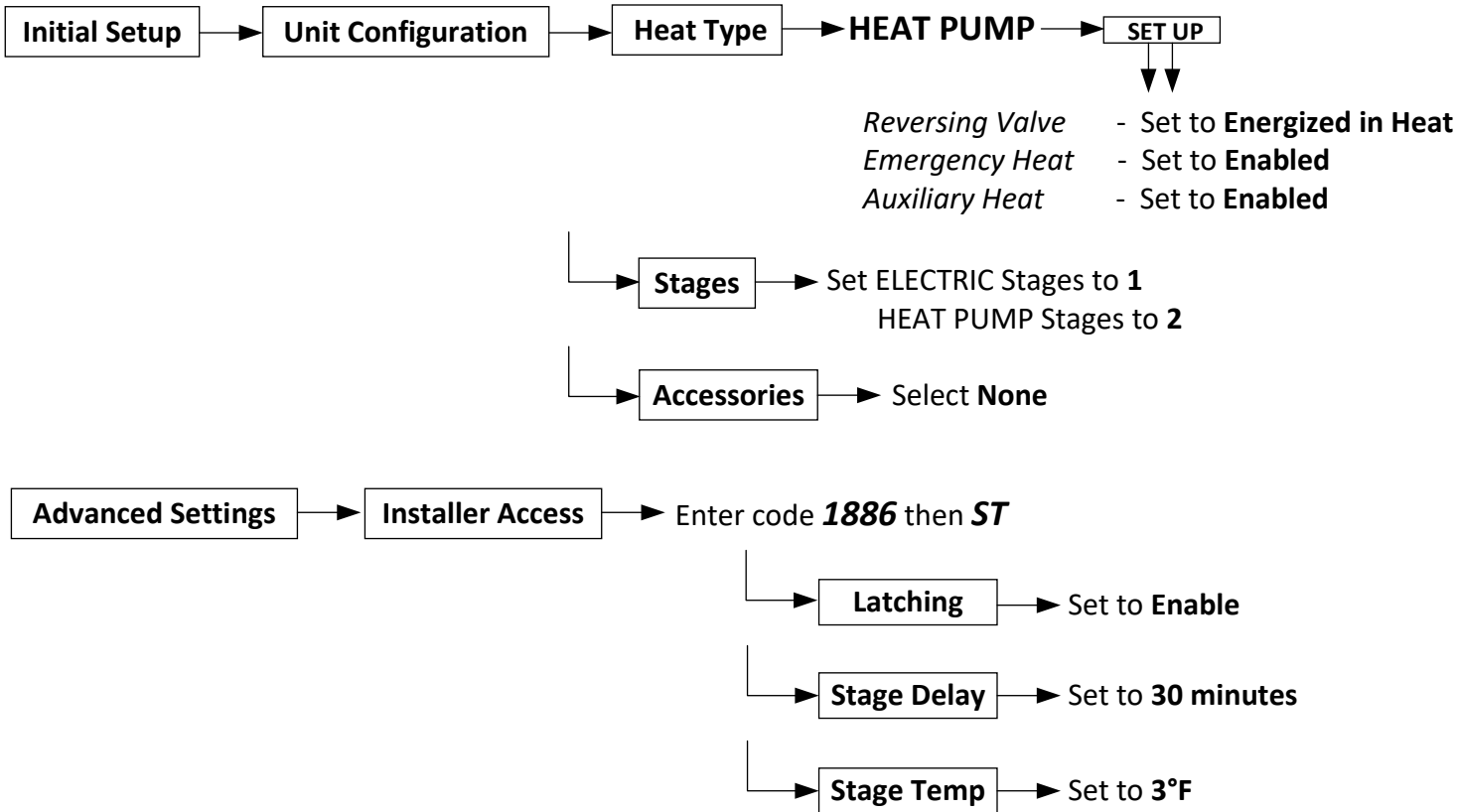
DESCRIPTION

BOSCH BCC100 – IDS – M20 AIR HANDLER –
ELECTRIC BACK-UP – HONEYWELL HZ432

DATE: 1/19/2024

PAGE: 2 of 3

THERMOSTAT PARAMETERS:



ZONE CONTROL PARAMETERS:

SYSTEM TYPE: [HEATPUMP]
 DUAL FUEL OPER: [NO]
 COMPRESSOR STAGES: [2]
 RF ENABLED: [NO] ****THIS OPTION IS ONLY USED IF YOU ARE INSTALLING WIRELESS CONTROLLERS****
 ZONES INSTALLED: **SELECT APPROPRIATE NUMBER OF ZONES BEING USED**
 ZONE1 TSTAT TYPE: [HTPUMP-B] → REPEAT THIS SELECTION FOR EACH ZONE
 STAGE 2 CONTROL: [T-STAT]
 ADVANCED CONFIG? [NO]
 SAVE CHANGES? [YES]

NOTES:	TSS Associates, Inc.	
	DESCRIPTION BOSCH BCC100 – IDS – M20 AIR HANDLER – ELECTRIC BACK-UP – HONEYWELL HZ432	
	DATE: 1/19/2024	PAGE: 3 of 3