



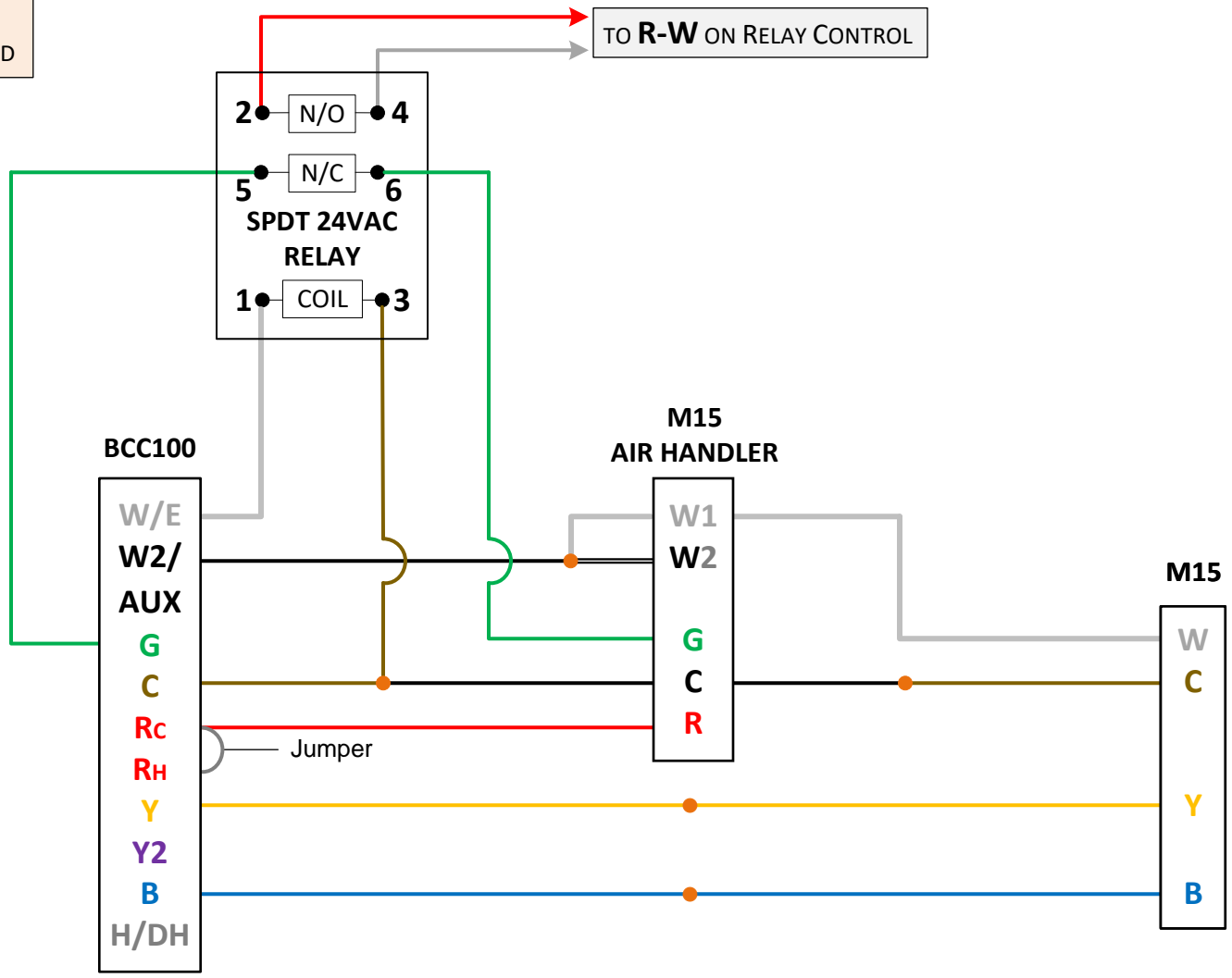
TSS Associates, Inc.



For further assistance, please contact
TSS Associates for Tech Support

518-621-7283

LEGEND:
 N/O = NORMALLY OPEN
 N/C = NORMALLY CLOSED

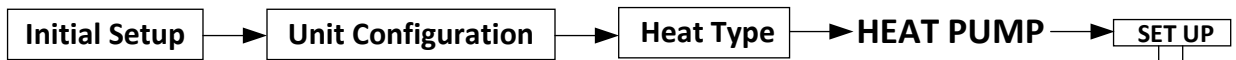


- NOTES:**
- >> Oil boiler is Emergency Heat, which locks out all compressor stages when selected
 - >> Electric-strip is Auxiliary Heat
 - >> Thermostat controls fan through **SPDT** relay. When Emergency Heat is activated, fan signal is deactivated to AHU through relay
 - >> Homeowner will have to manually activate Emergency Heat at the thermostat to activate oil boiler

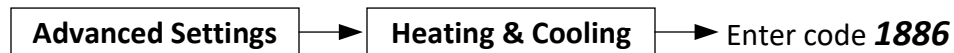
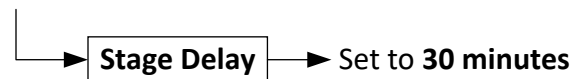
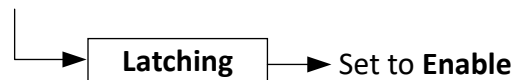
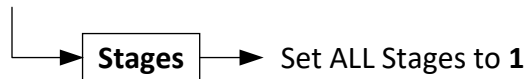
TSS Associates, Inc.

DESCRIPTION
 BOSCH BCC100 – **M15** – M15 AIR HANDLER – ELECTRIC BACK-UP – BOILER EMERGENCY (FAN OFF RELAY)

PARAMETERS:



- Reversing Valve* - Set to **Energized in Heat**
- Emergency Heat* - Set to **Enabled**
- Auxiliary Heat* - Set to **Enabled**



NOTES:

TSS Associates, Inc.

DESCRIPTION

BOSCH BCC100 – M15 & M15 AHU – ELECTRIC BACK-UP – BOILER EMER

DATE: 1/4/2024

PAGE: 3 of 3