



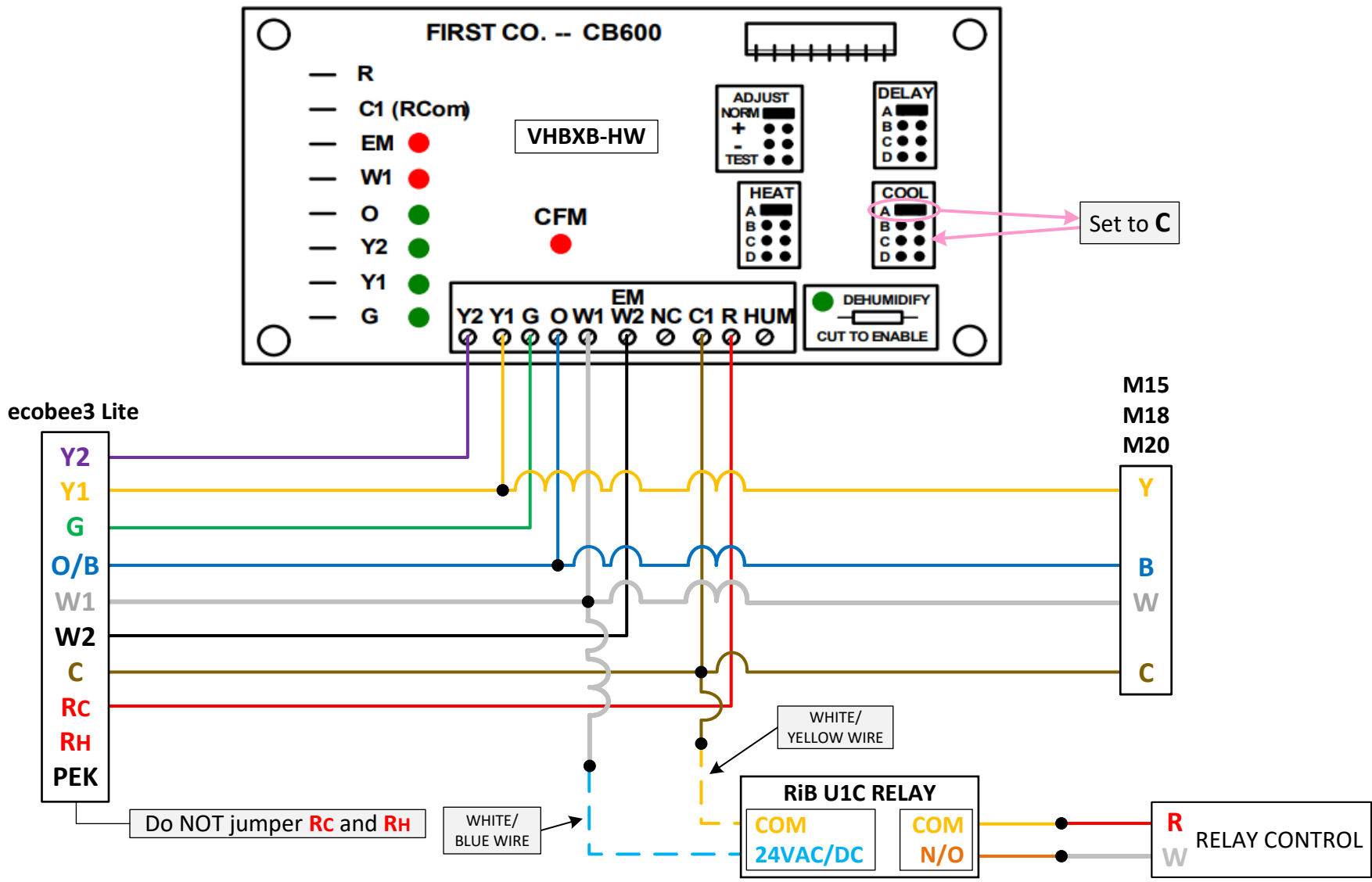
# TSS Associates, Inc.



For further assistance, please contact  
Ecobee directly for Tech Support

---

1-877-932-6233



NOTES:  
**PEK** = Power Extender Kit = if there is no Common wire

TSS Associates, Inc.

DESCRIPTION  
 ECOBEE 3 LITE – BOSCH IDS – FIRST CO. AIR HANDLER

DATE: 11/2/2023      PAGE: 2 of 3

**PARAMETERS:**

- >> Transformer > **YES, ONLY Rc IS CONNECTED**
- >> Configuration > Make sure highlighted icons correspond with wires installed
- >> Equipment > **HEAT PUMP > AIR TO AIR**
- >> O/B Reversing Valve > **ON HEAT**
- >> Allow Heat Pump and Aux Heat to run simultaneously > **ENABLE**
- >> Compressor Minimum Outdoor Temperature > **Whatever temperature is desired based upon homeowner comfort and energy costs**
- >> Type of heating > **BOILER**
- >> How do you want your fan to be controlled > **BY THERMOSTAT**

↳ **MAIN MENU > SETTINGS > INSTALLATION SETTINGS (ADVANCED OPTIONS) > THRESHOLDS:**

- >> Threshold Staging > **MANUAL**
- >> Auto Heat/Cool > **DISABLE**
- >> Compressor Stage 2 Temperature Delta > **1°F**
- >> Compressor Stage 1 Max Runtime > **AUTO**
- >> Compressor Reverse Staging > **DISABLE**
- >> Aux Heat Max Outdoor Temperature > **Whatever temperature is desired based upon energy costs**
- >> Compressor to Aux Temperature Delta [droop] > **2°F**
- >> Compressor to Aux Runtime > **AUTO**
- >> Aux Stage 2 Temperature Delta > **1°F**
- >> Aux Stage 2 Minimum Runtime > **AUTO**
- >> Aux Reverse Staging > **DISABLE**

NOTES:

**TSS Associates, Inc.**

DESCRIPTION

**ECOBEE 3 LITE – BOSCH IDS – FIRST CO. AIR HANDLER**

DATE: 1/2/2024

PAGE: 3 of 3