



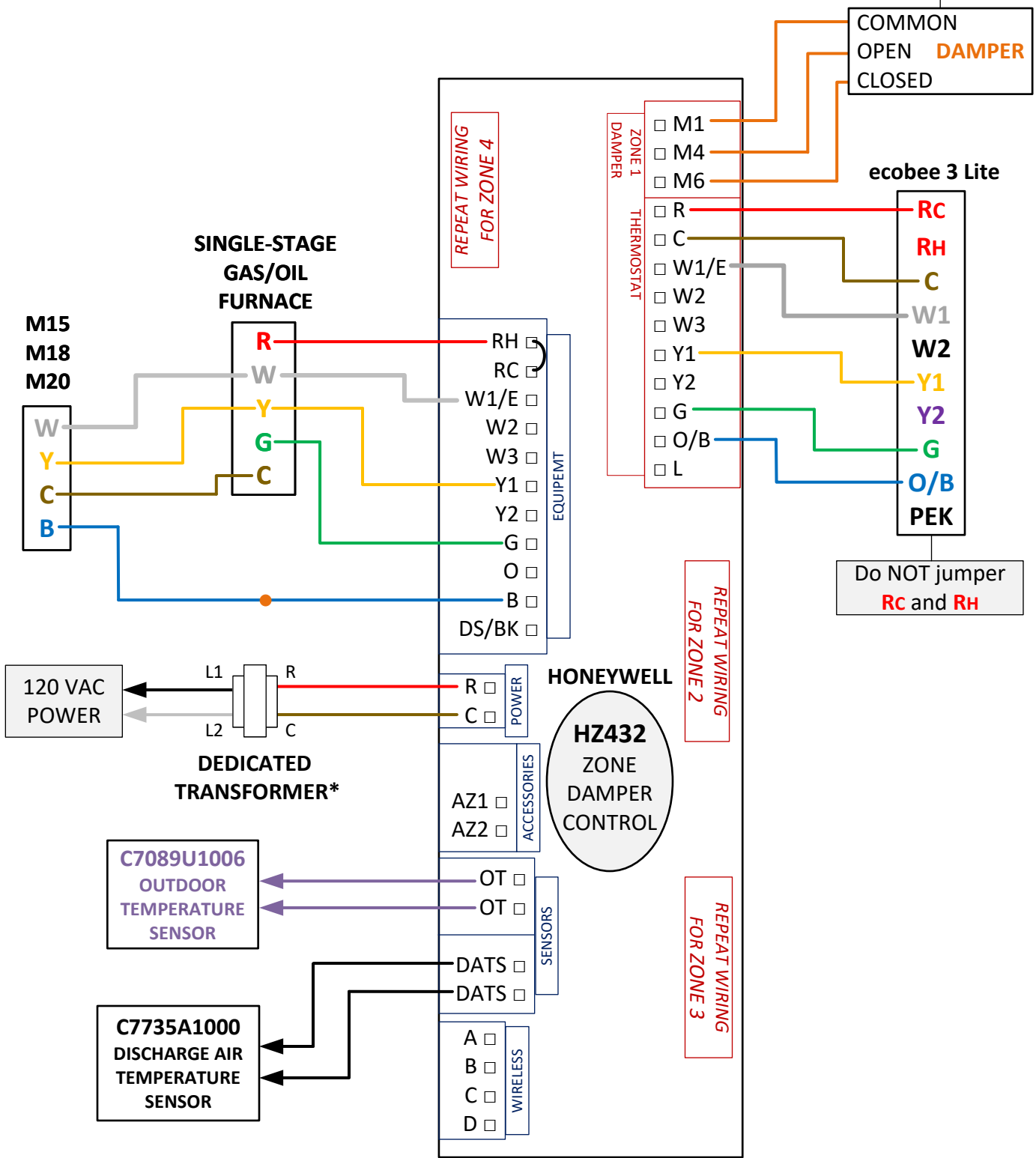
TSS Associates, Inc.



For further assistance, please contact
Ecobee directly for Tech Support

1-877-932-6233

****IF WIRING MULTIPLE DAMPERS IN SERIES ON ONE ZONE, USE A DEDICATED TRANSFORMER AND ISOLATION RELAY AT EACH ZONE**



NOTES:

- For Dual Fuel Applications -

***Transformer VA must equal 10VA times the number of dampers installed:**

EX) 4 dampers X 10VA = 40VA transformer

TSS Associates, Inc.

DESCRIPTION

ECOBEE 3 LITE – BOSCH IDS – FURNACE – HONEYWELL HZ432

DATE: 1/2/2024

PAGE: 2 of 3

PARAMETERS:

- >> Transformer > **YES, ONLY Rc IS CONNECTED**
- >> Configuration > Make sure highlighted icons correspond with wires installed
- >> Equipment > **HEAT PUMP > AIR TO AIR**
- >> O/B Reversing Valve > **ON HEAT**
- >> Allow Heat Pump and Aux Heat to run simultaneously > **DISABLE**
- >> Compressor Minimum Outdoor Temperature > **DISABLE**
- >> Type of heating > **FURNACE**
- >> How do you want your fan to be controlled > **BY THERMOSTAT**

↳ **MAIN MENU > SETTINGS > INSTALLATION SETTINGS (ADVANCED OPTIONS) > THRESHOLDS:**

- >> Threshold Staging > **AUTOMATIC**
- >> Aux Savings Optimization > **3°F (default)**
- >> Auto Heat/Cool > **DISABLE**
- >> Compressor Minimum Cycle Off Time > **300 SEC**
- >> Aux Heat Max Outdoor Temperature > **DISABLE**

ZONE CONTROL PARAMETERS:

SYSTEM TYPE: **[HEATPUMP]**
DUAL FUEL OPER: **[YES]**
COMPRESSOR STAGES: **[1]**
DFUEL HT STAGES: **[1]**
RF ENABLED: **[NO]** ***THIS OPTION IS ONLY USED IF YOU ARE INSTALLING WIRELESS CONTROLLERS***
ZONES INSTALLED: **SELECT APPROPRIATE NUMBER OF ZONES BEING USED**
ZONE1 TSTAT TYPE: **[HTPUMP-B]** → REPEAT THIS SELECTION FOR EACH ZONE
STAGE 2 CONTROL: **[TIMER]**
STAGE 3 CONTROL: **[OFF]**
ADVANCED CONFIG? **[YES]** → HEAT FAN CONTROL: **[HVAC]**
STAGE 2 TIMER: **[60]**
DISCHARGE SENSOR: **[YES]**
DAT HIGH LIMIT: **[145 F]**
OT SENSOR: **[YES]**
OT BALANCE TEMP: **[WHATEVER TEMPERATURE IS DESIRED]**

SAVE CHANGES? **[YES]**

NOTES:

TSS Associates, Inc.

DESCRIPTION

ECOBEE 3 LITE – BOSCH **IDS** – FURNACE – HONEYWELL HZ432

DATE: 11/1/2023

PAGE: 3 of 3