



# TSS Associates, Inc.



For further assistance, please contact  
Ecobee directly for Tech Support

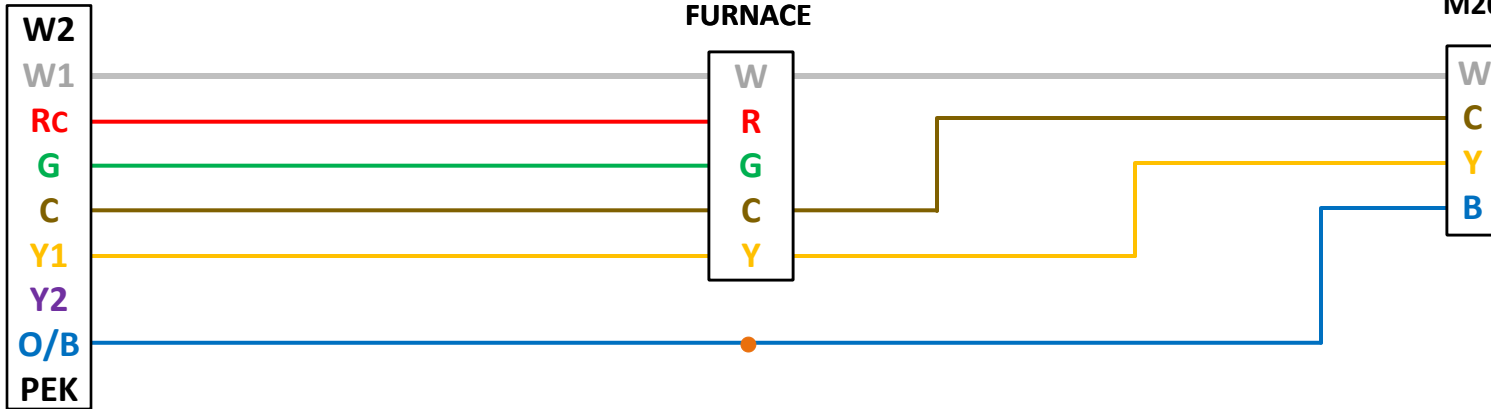
---

1-877-932-6233

ecobee 3 Lite

SINGLE-STAGE  
GAS/OIL  
FURNACE

M15  
M18  
M20



Do NOT Jumper RC and RH

NOTES:

PEK = Power Extender Kit = if there is no Common wire

TSS Associates, Inc.

DESCRIPTION  
ECOBEE 3 LITE – BOSCH IDS – 1-STAGE GAS/OIL FURNACE

DATE: 1/2/2024 PAGE: 2 of 3

**PARAMETERS:**

- >> Transformer > **YES, ONLY Rc IS CONNECTED**
- >> Configuration > Make sure highlighted icons correspond with wires installed
- >> Equipment > **HEAT PUMP > AIR TO AIR**
- >> O/B Reversing Valve > **ON HEAT**
- >> Allow Heat Pump and Aux Heat to run simultaneously > **DISABLE**
- >> Compressor Minimum Outdoor Temperature > **WHATEVER TEMPERATURE IS DESIRED BASED UPON HOMEOWNER COMFORT AND ENERGY COSTS**
  
- >> Type of heating > **FURNACE**
- >> How do you want your fan to be controlled > **BY THERMOSTAT**

↳ **MAIN MENU > SETTINGS > INSTALLATION SETTINGS (ADVANCED OPTIONS) > THRESHOLDS:**

- >> Threshold Staging > **MANUAL**
- >> Auto Heat/Cool > **DISABLE**
- >> Compressor Minimum Cycle Off Time > **300 SEC**
- >> Aux Heat Max Outdoor Temperature > **WHATEVER TEMPERATURE IS DESIRED**
- >> Compressor to Aux Temperature Delta [droop] > **AUTO**
- >> Compressor to Aux Runtime > **60 MINUTES**

Bosch BGH96 Furnace:

**W2 Delay:**

**S1-1 S1-2**

**ON OFF**

Sets to **10 minutes**

**S1-1 S1-2**

**ON ON**

Sets to **20 minutes**

**NOTES:**

When setting the BGH96 furnace as single-stage, jump **Y1** to **Y2** and **W1** to **W2**.

**TSS Associates, Inc.**

DESCRIPTION

ECOBEE 3 LITE – BOSCH **IDS** – 1-STAGE GAS/OIL FURNACE

DATE: 11/2/2023

PAGE: 3 of 3