

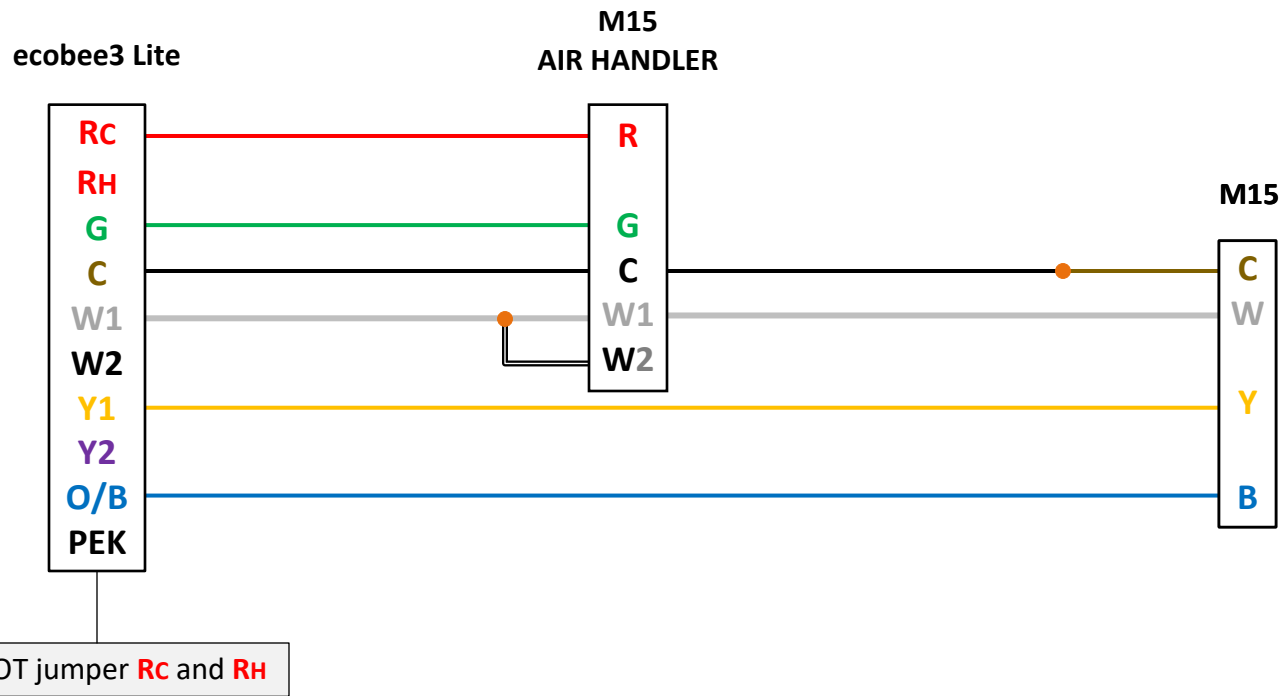


TSS Associates, Inc.



For further assistance, please contact
Ecobee directly for Tech Support

1-877-932-6233



NOTES:

PEK = Power Extender Kit = if there is no Common wire

Auxiliary/Emergency heat is Electric-strip installed in AHU. Some form of back-up heat is highly recommended to be installed.

TSS Associates, Inc.

DESCRIPTION

ECOBEE 3 LITE – BOSCH **M15** – M15 AHU – ELECTRIC BACK-UP

DATE: 1/2/2024

PAGE: 2 of 3

PARAMETERS:

- >> Transformer > **YES, ONLY Rc IS CONNECTED**
- >> Configuration > Make sure highlighted icons correspond with wires installed
- >> Equipment > **HEAT PUMP > AIR TO AIR**
- >> O/B Reversing Valve > **ON HEAT**
- >> Allow Heat Pump and Aux Heat to run simultaneously > **ENABLE**
- >> Compressor Minimum Outdoor Temperature > **WHATEVER TEMPERATURE IS DESIRED BASED UPON HOMEOWNER COMFORT AND ENERGY COSTS**

- >> Type of heating > **FURNACE**
- >> How do you want your fan to be controlled > **THERMOSTAT**

└─> **MAIN MENU > SETTINGS > INSTALLATION SETTINGS (ADVANCED OPTIONS) > THRESHOLDS:**

- >> Threshold Staging > **MANUAL**
- >> Auto Heat/Cool > **DISABLE**
- >> Compressor Minimum Cycle Off Time > **300 SEC**
- >> Aux Heat Max Outdoor Temperature > **WHATEVER TEMPERATURE IS DESIRED**
- >> Compressor to Aux Temperature Delta [droop] > **2°F** (factory default, adjust if receiving many “Aux heat running” alerts)
- >> Compressor to Aux Runtime > **AUTO** (factory default, adjust if receiving many “Aux heat running” alerts)
- >> Aux Stage 2 Temperature Delta > **2°F**
- >> Aux Reverse Staging > **DISABLE**
- >> Aux Stage 1 Max Runtime > **AUTO** (factory default, adjust if receiving many “Aux heat running” alerts)

NOTES:

TSS Associates, Inc.

DESCRIPTION

ECOBEE 3 LITE – BOSCH **M15** – M15 AHU – ELECTRIC BACK-UP

DATE: 11/2/2023

PAGE: 3 of 3