



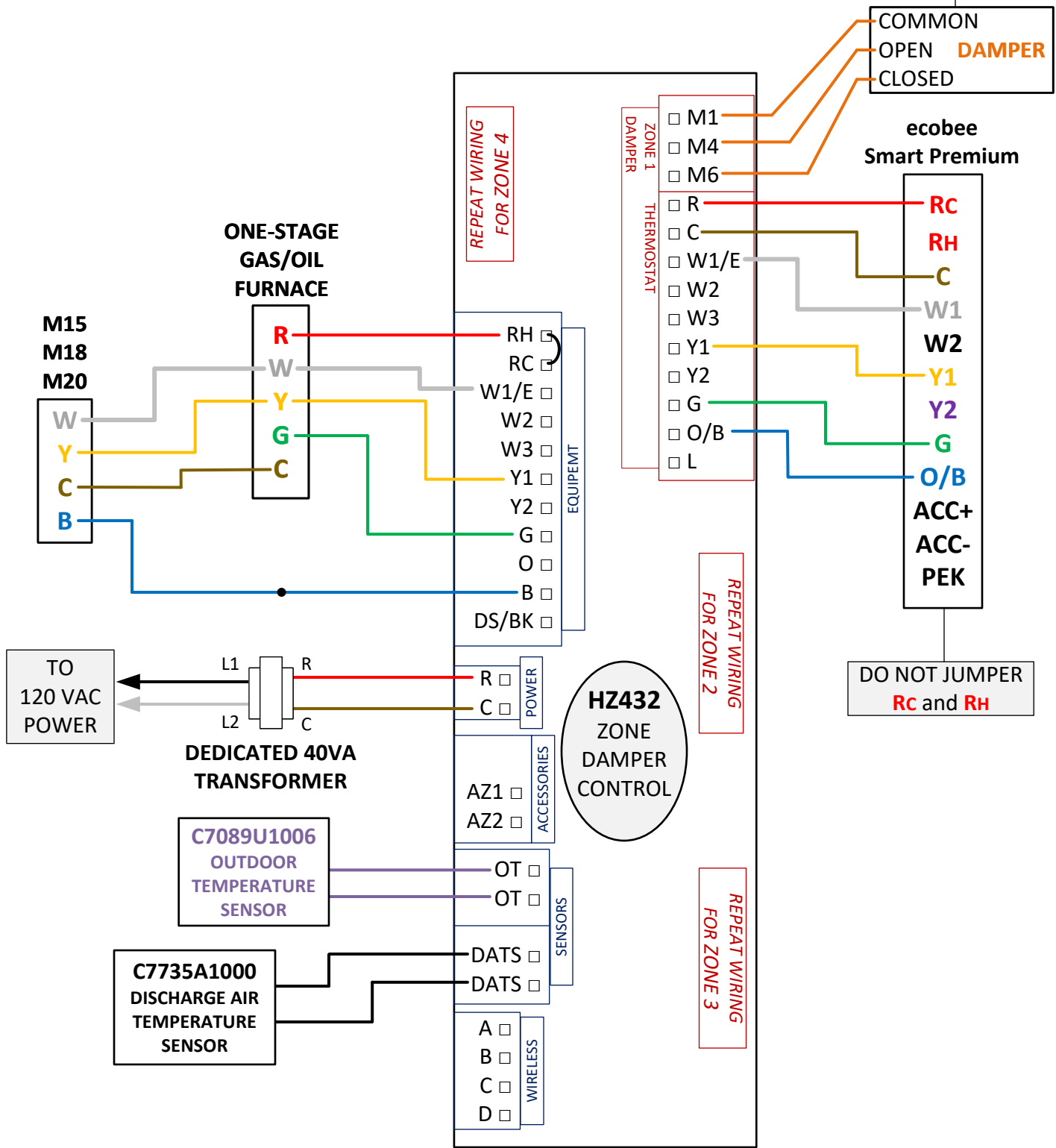
TSS Associates, Inc.



For further assistance, please contact
Ecobee directly for Tech Support

1-877-932-6233

****IF WIRING MULTIPLE DAMPERS IN SERIES ON ONE ZONE, USE A DEDICATED TRANSFORMER AND ISOLATION RELAY AT EACH ZONE**



NOTES:

TSS Associates, Inc.

DESCRIPTION
ECOBEE SMART – BOSCH IDS – GAS/OIL FURNACE – HONEYWELL HZ432

DATE: 1/2/2024 PAGE: 2 of 3

PARAMETERS:

- >> Transformer > **YES, ONLY Rc IS CONNECTED**
- >> Configuration > Make sure highlighted icons correspond with wires installed
- >> Equipment > **HEAT PUMP > AIR TO AIR**
- >> O/B Reversing Valve > **ON HEAT**
- >> Allow Heat Pump and Aux Heat to run simultaneously > **DISABLE**
- >> Compressor Minimum Outdoor Temperature > **OFF**
- >> Type of heating > **FURNACE**
- >> How do you want your fan to be controlled > **BY THERMOSTAT**

↳ **MAIN MENU > SETTINGS > INSTALLATION SETTINGS (ADVANCED OPTIONS) > THRESHOLDS:**

- >> Threshold Staging > **AUTOMATIC** (factory default, adjust if receiving many "Aux heat running" alerts)
- >> Aux Savings Optimization > **MAXIMUM (2°F DROOP)**
- >> Auto Heat/Cool > **DISABLE**

ZONE CONTROL PARAMETERS:

- SYSTEM TYPE: [HEATPUMP]
DUAL FUEL OPER: [YES]
COMPRESSOR STAGES: [1]
AUX HT ENABLED: [NO]
DFUEL HT STAGES: [1]
RF ENABLED: [NO] ***THIS OPTION IS ONLY USED IF YOU ARE INSTALLING WIRELESS CONTROLLERS***
ZONES INSTALLED: **SELECT APPROPRIATE NUMBER OF ZONES BEING USED**
ZONE1 TSTAT TYPE: [HTPUMP-B] → REPEAT THIS SELECTION FOR EACH ZONE
STAGE 2 CONTROL: [TIMER]
ADVANCED CONFIG? [YES] → HEAT FAN CONTROL: [HVAC]
STAGE 2 TIMER: [60]
DISCHARGE SENSOR: [YES]
DAT HIGH LIMIT: [145]
OT SENSOR: [YES]
MSTG OT LOCKOUT: [YES]
OT BALANCE TEMP: [WHATEVER TEMPERATURE IS DESIRED]
- SAVE CHANGES? [YES]

NOTES:

TSS Associates, Inc.

DESCRIPTION

ECOBEE SMART – BOSCH IDS – GAS/OIL FURNACE – HONEYWELL HZ432

DATE: 1/2/2024

PAGE: 3 of 3