



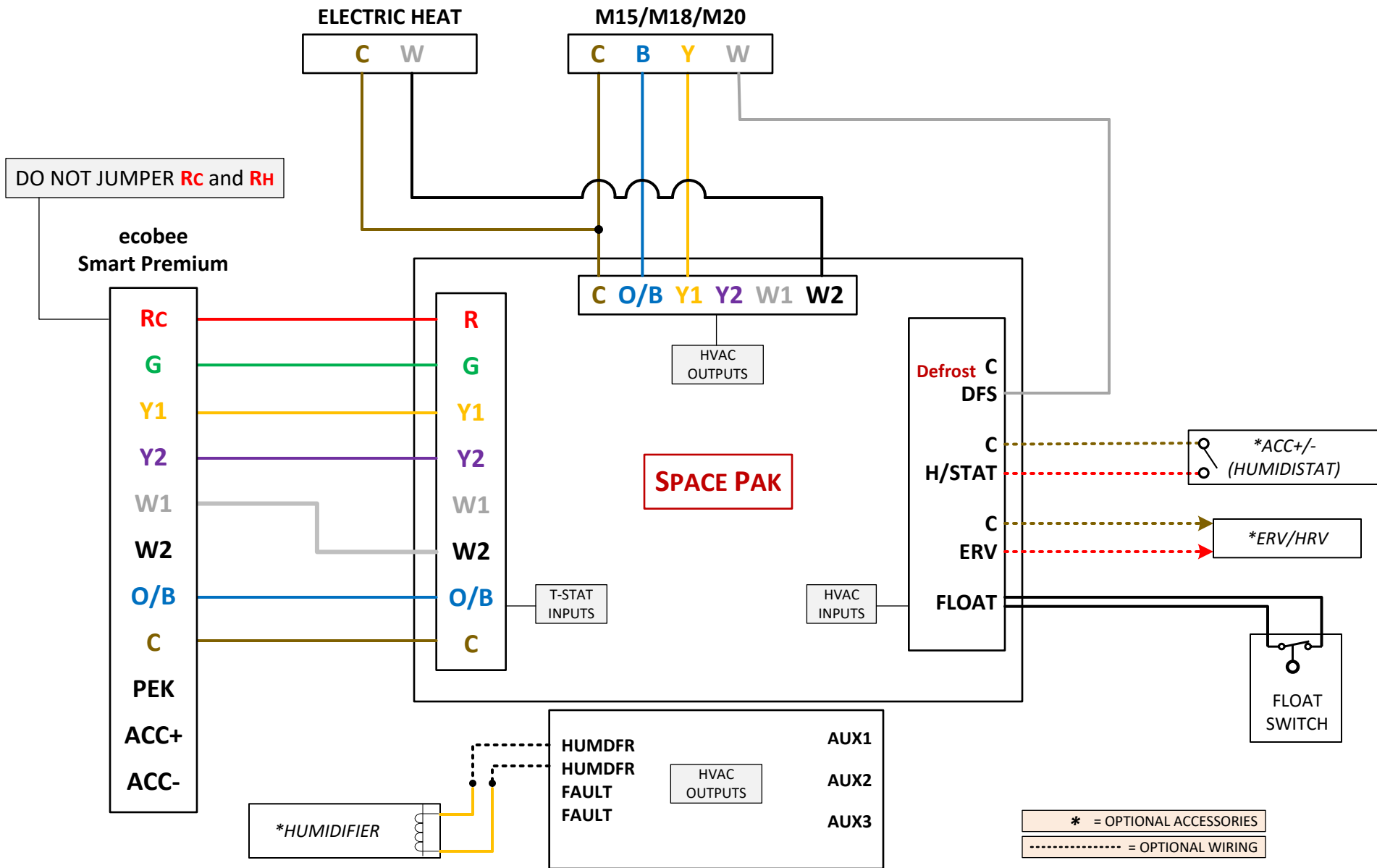
# TSS Associates, Inc.



For further assistance, please contact  
Ecobee directly for Tech Support

---

1-877-932-6233



- NOTES:
- > **Defrost [DFS]** energizes fan and **W2** output relay
  - > **W2** input energizes fan and **W2** output relay
  - > Installation of EEH Electric Back-up Heat Kit is highly recommended

**PARAMETERS:**

- >> Transformer > **YES, ONLY Rc IS CONNECTED**
- >> Configuration > Make sure highlighted icons correspond with wires installed
- >> Equipment > **HEAT PUMP > AIR TO AIR**
- >> O/B Reversing Valve > **ON HEAT**
- >> Allow Heat Pump and Aux Heat to run simultaneously > **ENABLE**
- >> Compressor Minimum Outdoor Temperature > **WHATEVER TEMPERATURE IS DESIRED BASED UPON ENERGY COSTS AND HOMEOWNER COMFORT**
  
- >> Type of heating > **FURNACE**
- >> How do you want your fan to be controlled > **BY EQUIPMENT**

↳ **MAIN MENU > SETTINGS > INSTALLATION SETTINGS (ADVANCED OPTIONS) > THRESHOLDS:**

- >> Threshold Staging > **AUTOMATIC**
- >> Aux Savings Optimization > **SUPER (2°F DROOP)**
- >> Auto Heat/Cool > **AUTO**
- >> Heat/Cool Minimum Delta > **5°F**
- >> Compressor Minimum Cycle Off Time > **0 SEC**
- >> Compressor Stage 2 Temperature Delta > **1°F**
- >> Compressor Reverse Staging > **ENABLE**
- >> Aux Heat Max Outdoor Temperature > **WHATEVER TEMPERATURE IS DESIRED BASED UPON ENERGY COSTS**
- >> Compressor to Aux Temperature Delta [droop] > **2°F**
- >> Compressor to Aux Runtime > **AUTO** (factory default, adjust if receiving many “Aux heat running” alerts)
- >> Aux Stage 2 Temperature Delta > **1°F**
- >> Aux Reverse Staging > **ENABLE**

↳ **MAIN MENU > SETTINGS > INSTALLATION SETTINGS (ADVANCED OPTIONS) > EQUIPMENT > HUMIDIFIER:**

- >> Humidify with Fan > **YES**
- >> Min Runtime Delta > **5%**
- >> Humidify in Heat Mode > **YES**
- >> Humidifier Active > **CLOSED**

↳ *To set desired humidity percentage > MAIN MENU > SYSTEM > HUMIDIFIER:*

- >> Humidifier > **ON**
- >> Preferred humidity level > **60%**

*\*Optional, only if a Humidifier is installed\**

NOTES:

Some form of back-up heat is highly recommended to be installed.

Some of these parameters may not come up during initial thermostat set-up. Once at ‘home’ screen, press and hold ‘Menu’ button for 5 seconds and go into ‘Device Settings’ to configure remaining parameters.

**TSS Associates, Inc.**

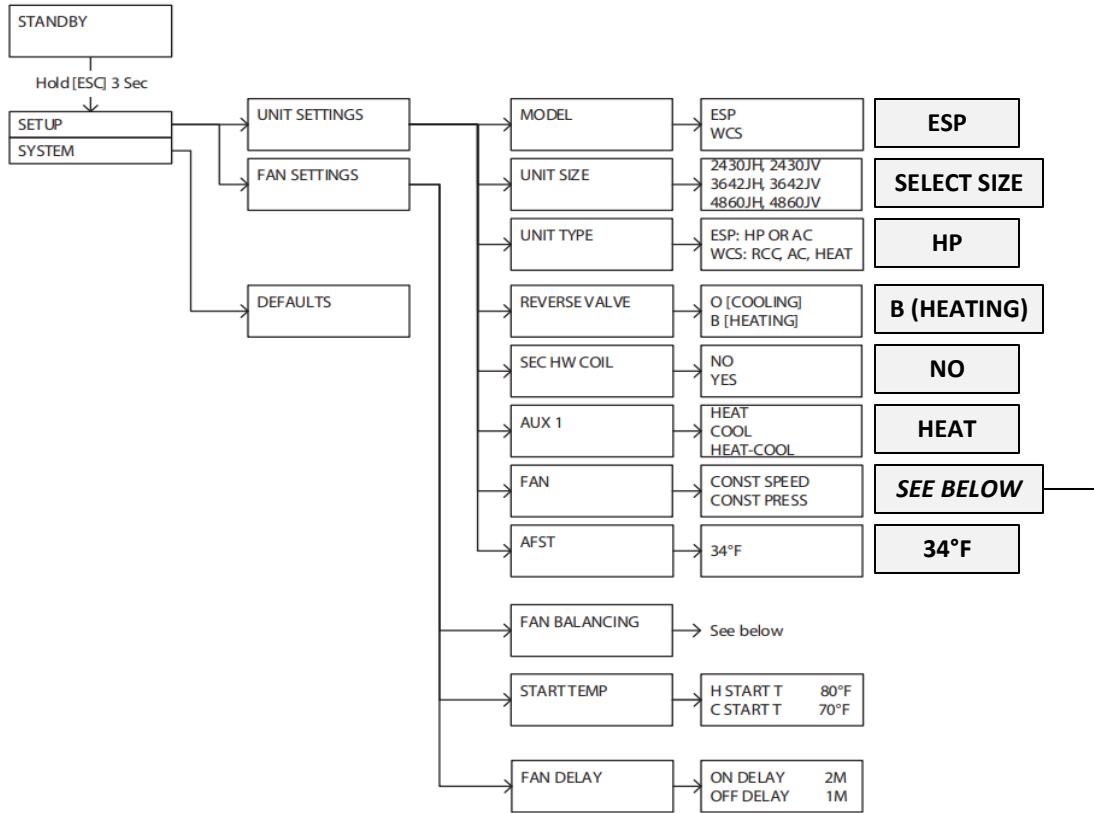
DESCRIPTION  
ECOBEE SMART – SPACEPAK ESP-J(PLUS) – BOSCH IDS

DATE: 11/20/2023

PAGE: 3 of 4

# SECTION 3: START-UP & COMMISSIONING

## Controls Overview/Features/Setpoints



**CHOOSE IF YOU WANT FAN TO BE RUN BASED ON SPEED OR STATIC PRESSURE:**

FAN BALANCING – CONSTANT SPEED

Y1:	SPEED%
Y2:	SPEED%
Y12:	SPEED%
W1:	SPEED%
W2:	SPEED%
W12:	SPEED%
G:	SPEED%
HUM:	SPEED%
ERV:	SPEED%
DFS:	SPEED%



Y1%	PRESS	CFM
50	0.4	350
Y2%	PRESS	CFM
50	0.4	350
Y12%	PRESS	CFM
50	0.4	350
W1%	PRESS	CFM
50	0.4	350
W2%	PRESS	CFM
50	0.4	350
W12%	PRESS	CFM
50	0.4	350
G%	PRESS	CFM
50	0.4	350
HUM%	PRESS	CFM
50	0.4	350
ERV%	PRESS	CFM
50	0.4	350
DF9%	PRESS	CFM
50	0.4	350

FAN BALANCING – CONSTANT PRESSURE

Y1:	ST PRESS
Y2:	ST PRESS
Y12:	ST PRESS
W1:	ST PRESS
W2:	ST PRESS
W12:	ST PRESS
G:	ST PRESS
HUM:	ST PRESS
ERV:	ST PRESS
DFS:	ST PRESS



Y1 SP	PRESS	CFM
1.2	0.51	350
Y2 SP	PRESS	CFM
1.2	0.51	350
Y12 SP	PRESS	CFM
1.2	0.51	350
W1 SP	PRESS	CFM
1.2	0.51	350
W2 SP	PRESS	CFM
1.2	0.51	350
W12 SP	PRESS	CFM
1.2	0.51	350
G SP	PRESS	CFM
1.2	0.51	350
HUM SP	PRESS	CFM
1.2	0.51	350
ERV SP	PRESS	CFM
1.2	0.51	350
DFS SP	PRESS	CFM
1.2	0.51	350

**NOTES:**

Guide for ESP-J(PLUS) Control Board Initial Setup:  
See pages 25-31 in IOM for more details.

**TSS Associates, Inc.**

DESCRIPTION

ECOBEE SMART – SPACEPAK ESP-J(PLUS) – BOSCH IDS

DATE: 1/2/2024

PAGE: 4 of 4