

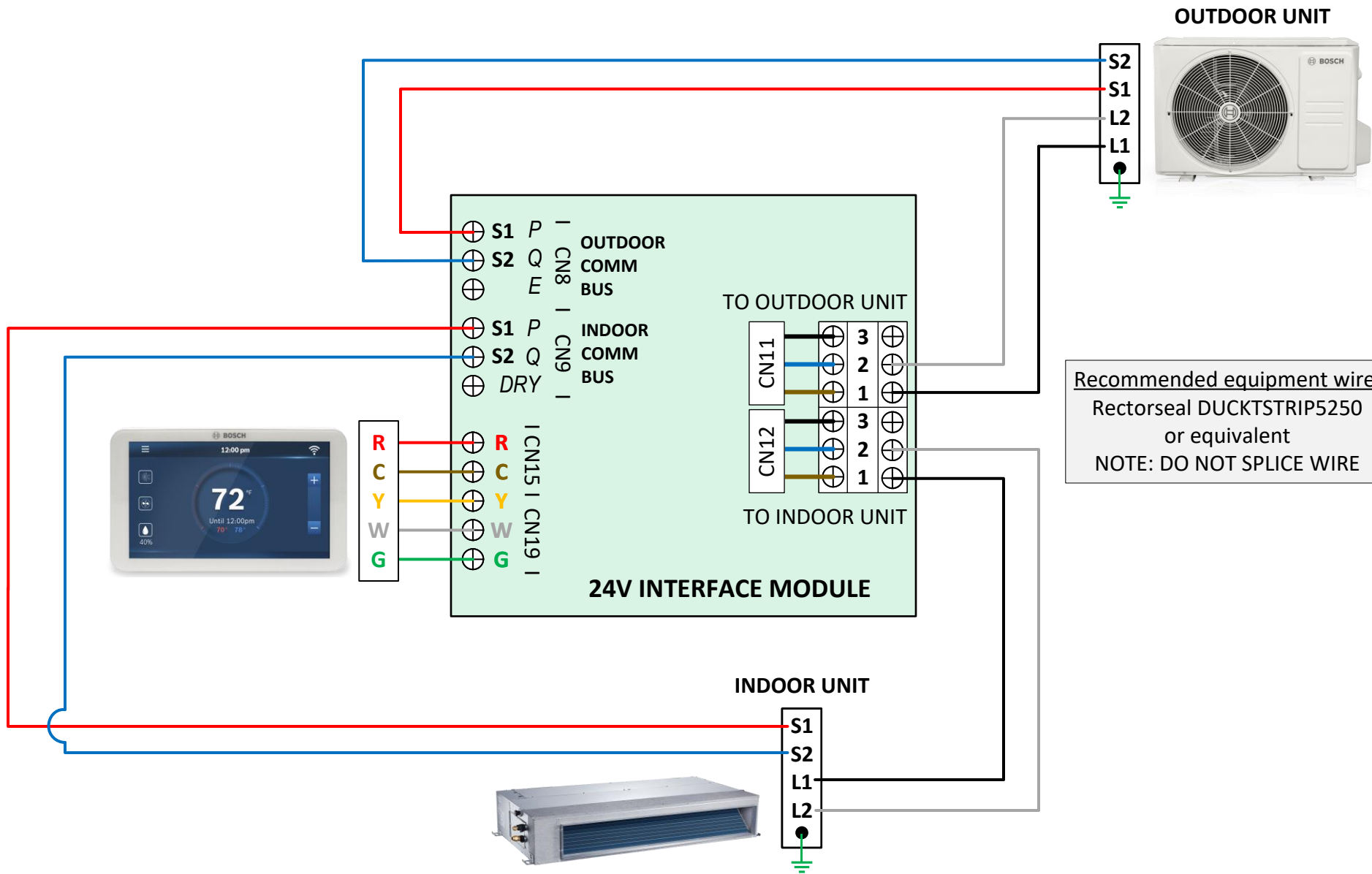


TSS Associates, Inc.



For further assistance, please contact
TSS Associates for Tech Support

518-621-7283



NOTES:

Wiring for **36K – 48K cassette/ducted** units

For multi-zone systems, an Interface Module is required for each unit that a wired W-Fi thermostat is desired for. Remote controller is still required for operation of advanced functions.

TSS Associates, Inc.

DESCRIPTION

BOSCH BCC100 – BOSCH CLIMATE 5000 WITH 24V INTERFACE MODULE

DATE: 2/16/2024

PAGE: 2 of 3

THERMOSTAT PARAMETERS:

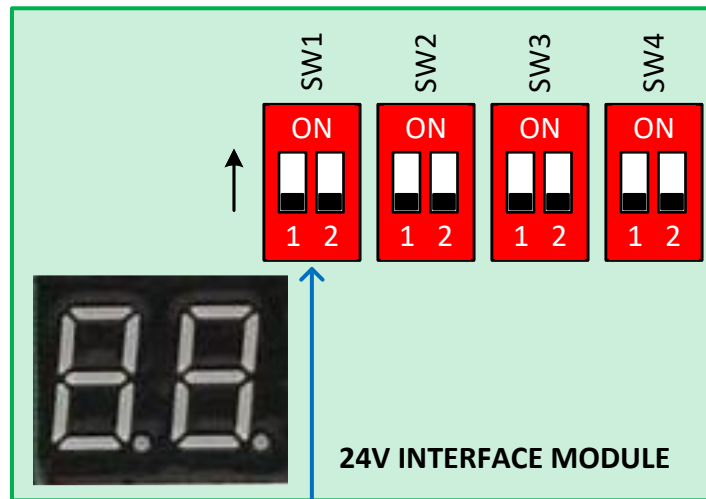


FOSSIL FUEL

Fan Control - Set to **Thermostat**

→ **Stages** → Set ALL Stages to **1**

→ **Accessories** → Select **None**



- SW1-1:** Set to **ON** = Display on
- SW1-2:** Set to **ON** = Enables 24V INTERFACE to work with units

NOTES:

TSS Associates, Inc.

DESCRIPTION

BOSCH BCC100 – BOSCH CLIMATE 5000 WITH 24V INTERFACE MODULE

DATE: 2/16/2024

PAGE: 3 of 3