



# TSS Associates, Inc.



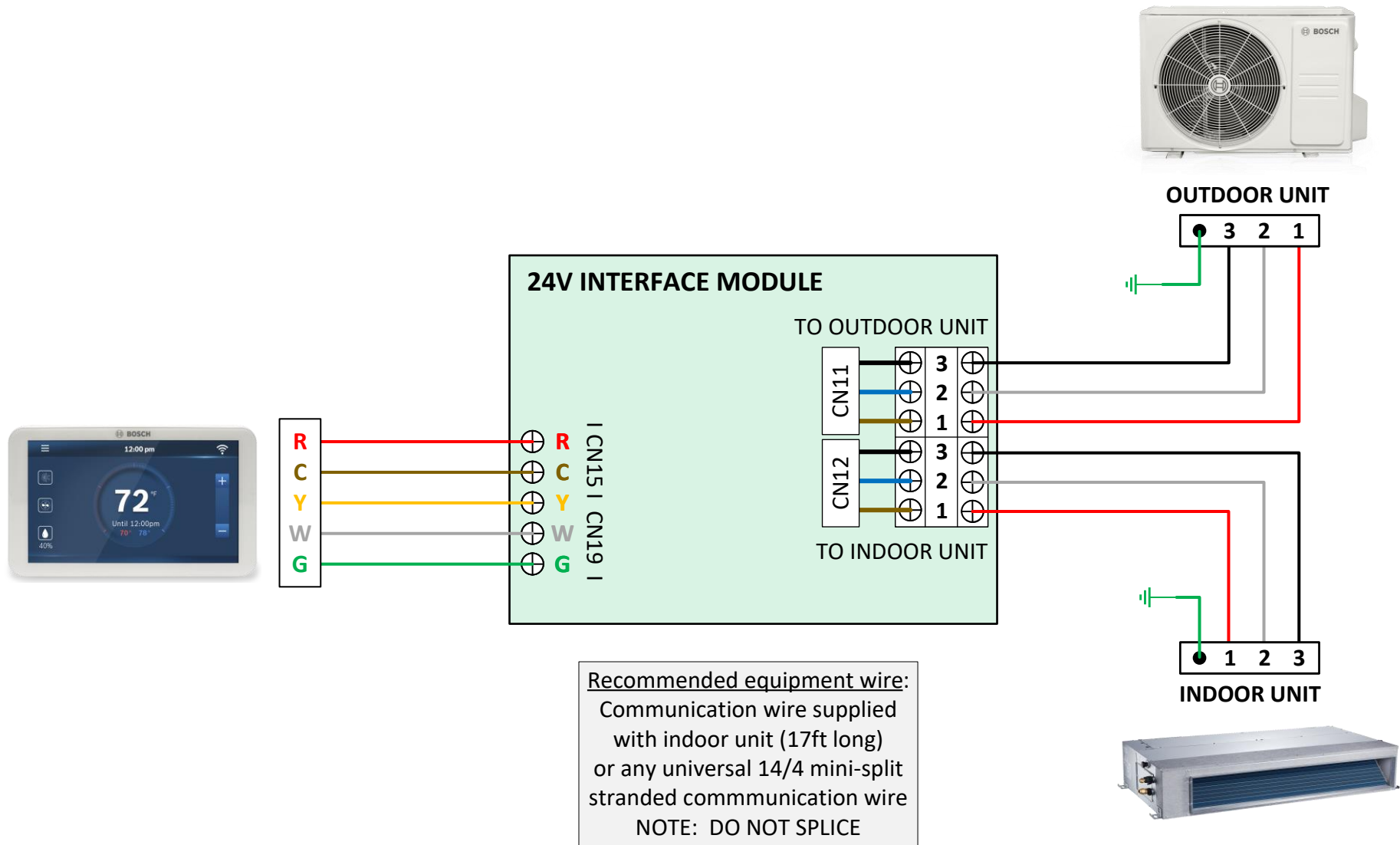
**BOSCH**

Invented for life

For further assistance, please contact  
TSS Associates for Tech Support

---

518-621-7283



**NOTES:**

Wiring for **6K – 24K wall/cassette/ducted** units

For multi-zone systems, an Interface Module is required for each unit that a wired Wi-Fi thermostat is desired for. Remote controller is still required for operation of advanced functions.

**TSS Associates, Inc.**

DESCRIPTION

BOSCH BCC100 – BOSCH CLIMATE 5000 WITH 24V INTERFACE MODULE

DATE: 2/16/2024

PAGE: 2 of 3

**THERMOSTAT PARAMETERS:**

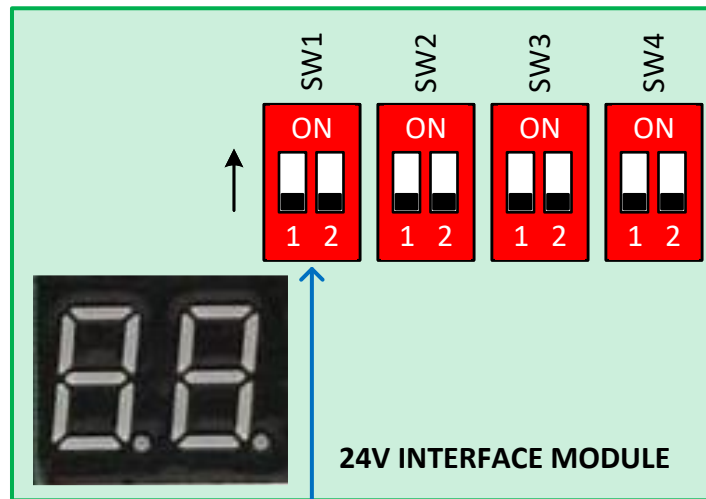


**FOSSIL FUEL**

*Fan Control* - Set to **Thermostat**

→ **Stages** → Set ALL Stages to **1**

→ **Accessories** → Select **None**



- SW1-1:** Set to **ON** = Display on
- SW1-2:** Set to **ON** = Enables 24V INTERFACE to work with units

NOTES:

**TSS Associates, Inc.**

DESCRIPTION

BOSCH BCC100 – BOSCH CLIMATE 5000 WITH 24V INTERFACE MODULE

DATE: 2/16/2024

PAGE: 3 of 3