



# TSS Associates, Inc.



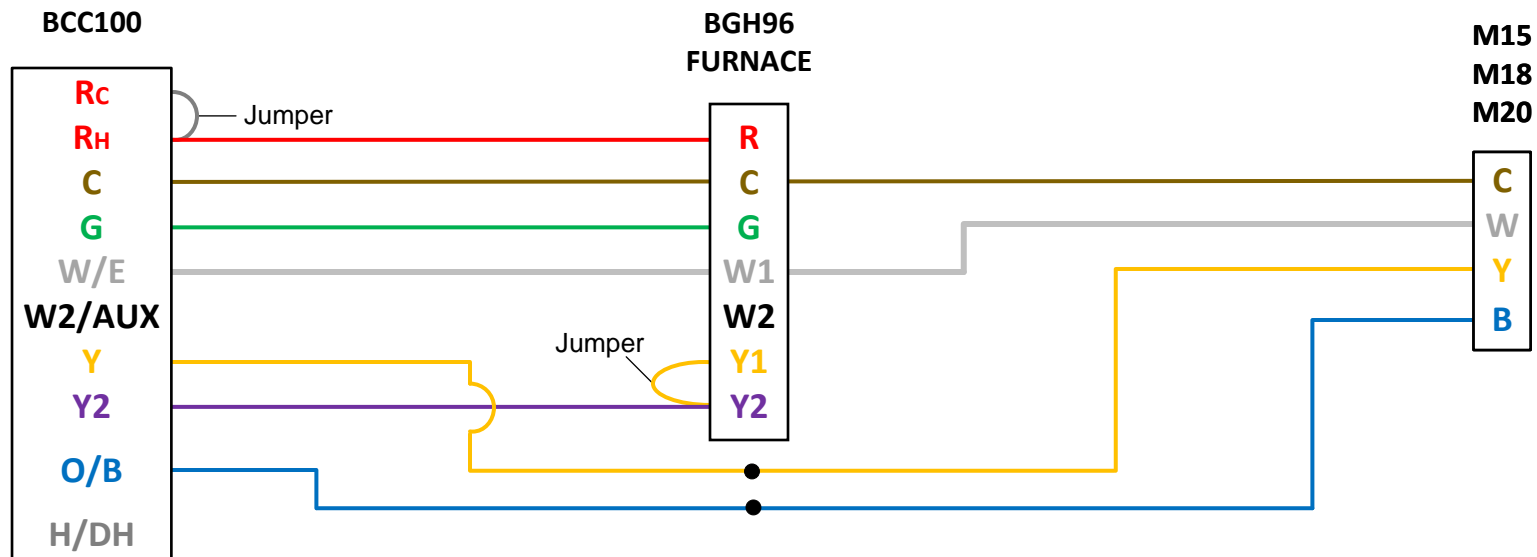
**BOSCH**

Invented for life

For further assistance, please contact  
TSS Associates for Tech Support

---

518-621-7283



NOTES:

**Fan Delay Wiring and Procedure** using the Bosch BCC100 with BGH96 furnace and IDS heat pump. Follow programming guidelines on succeeding pages to set time delay.

**TSS Associates, Inc.**

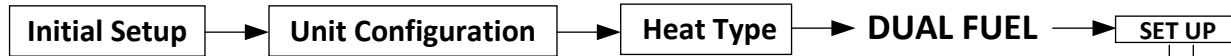
DESCRIPTION

BOSCH BCC100 – IDS – BGH96 FURNACE

DATE: 2/16/2024

PAGE: 2 of 4

**THERMOSTAT PARAMETERS:**



**FOSSIL FUEL**

*Fan Control* - Set to **Thermostat**

**HEAT PUMP**

*Reversing Valve* - Set to **Energized in Heat**

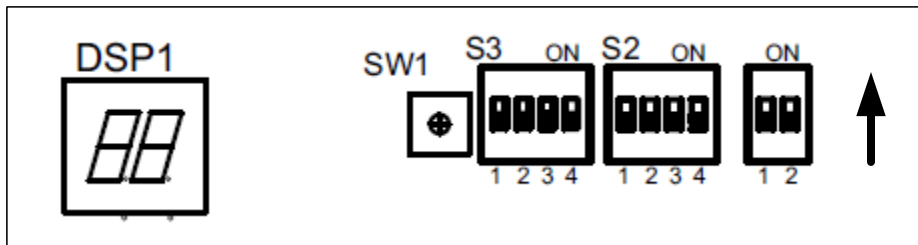
*Balance Point* - Set to **Whatever temperature is desired based upon homeowner comfort and energy costs**

*Changeover Delay* - Set to **45sec**

**Stages** -> Set FOSSIL FUEL Stages to **1**  
HEAT PUMP Stages to **2**

**Accessories** -> Select **None**

**SET W2 DELAY ON FURNACE CONTROL BOARD**



\* The factory Default

W2 DELAY		
DIP SW		NOMINAL (MINUTES)
S1-1	S1-2	
OFF	OFF	*OFF
ON	OFF	10
OFF	ON	AUTO
ON	ON	20

NOTES:

**TSS Associates, Inc.**

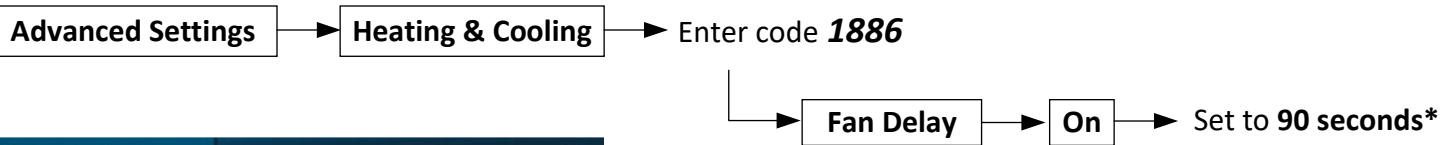
DESCRIPTION

BOSCH BCC100 – IDS – BGH96 FURNACE

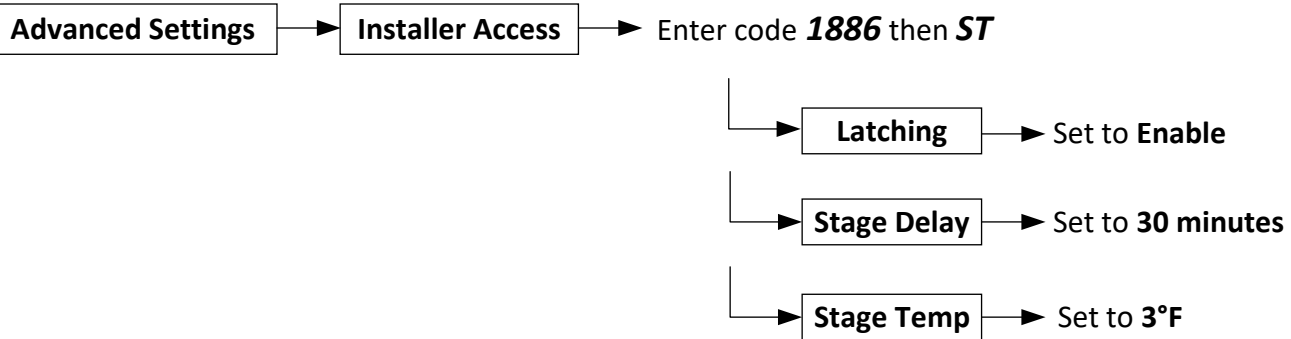
DATE: 2/16/2024

PAGE: 3 of 4

**THERMOSTAT PARAMETERS:**



\*This will allow blower fan to be delayed for 1.5minutes before energizing, thus allowing the indoor coil time to heat up during a call for heat pump



NOTES:

**TSS Associates, Inc.**

DESCRIPTION

BOSCH BCC100 – IDS – BGH96 FURNACE

DATE: 2/16/2024

PAGE: 4 of 4