

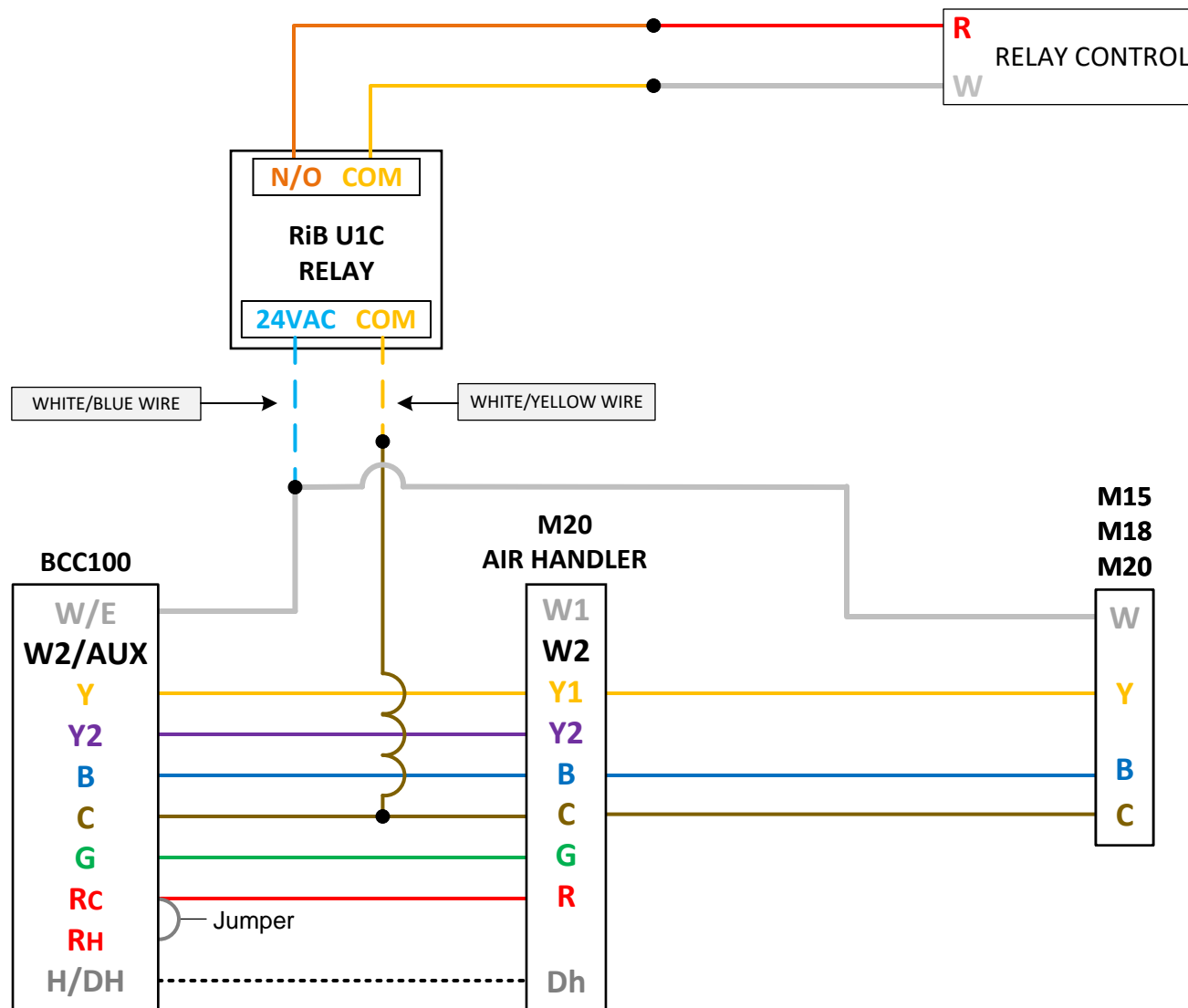


TSS Associates, Inc.



For further assistance, please contact
TSS Associates for Tech Support

518-621-7283



----- = OPTIONAL WIRING

NOTES:
 If software of thermostat cannot be updated from **V1.5**, then **G** will need to be unwired to prevent fan from being activated, or run through an isolation relay.

TSS Associates, Inc.

DESCRIPTION
 BOSCH BCC100 – IDS – M20 AHU – BOILER BACK-UP

DATE: 1/4/2024 PAGE: 2 of 3

PARAMETERS:

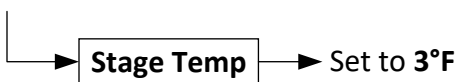
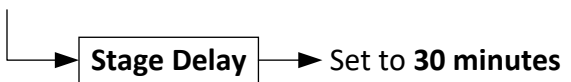
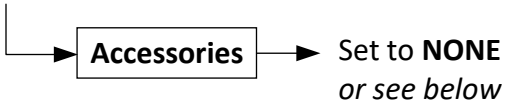


FOSSIL FUEL

Fan Control - Set to **Appliance**

HEAT PUMP

Reversing Valve - Set to **Energized in Heat**
Balance Point - Set to **Whatever temperature is desired based upon homeowner comfort and energy costs**
Changeover Delay - Set to **45sec**




NOTES: IF DH IS WIRED:



COOL TO DEHUMIDIFY:

- Set to **Enable** to active only during a call for cooling
- Set to **Disable** to active regardless of a call for cooling

- You can set a desired RH% Level to be met in MODE by selecting  and then selecting: Automatic Control – **YES**

TSS Associates, Inc.

DESCRIPTION
BOSCH BCC100 – IDS – M20 AHU – BOILER BACK-UP