



TSS Associates, Inc.

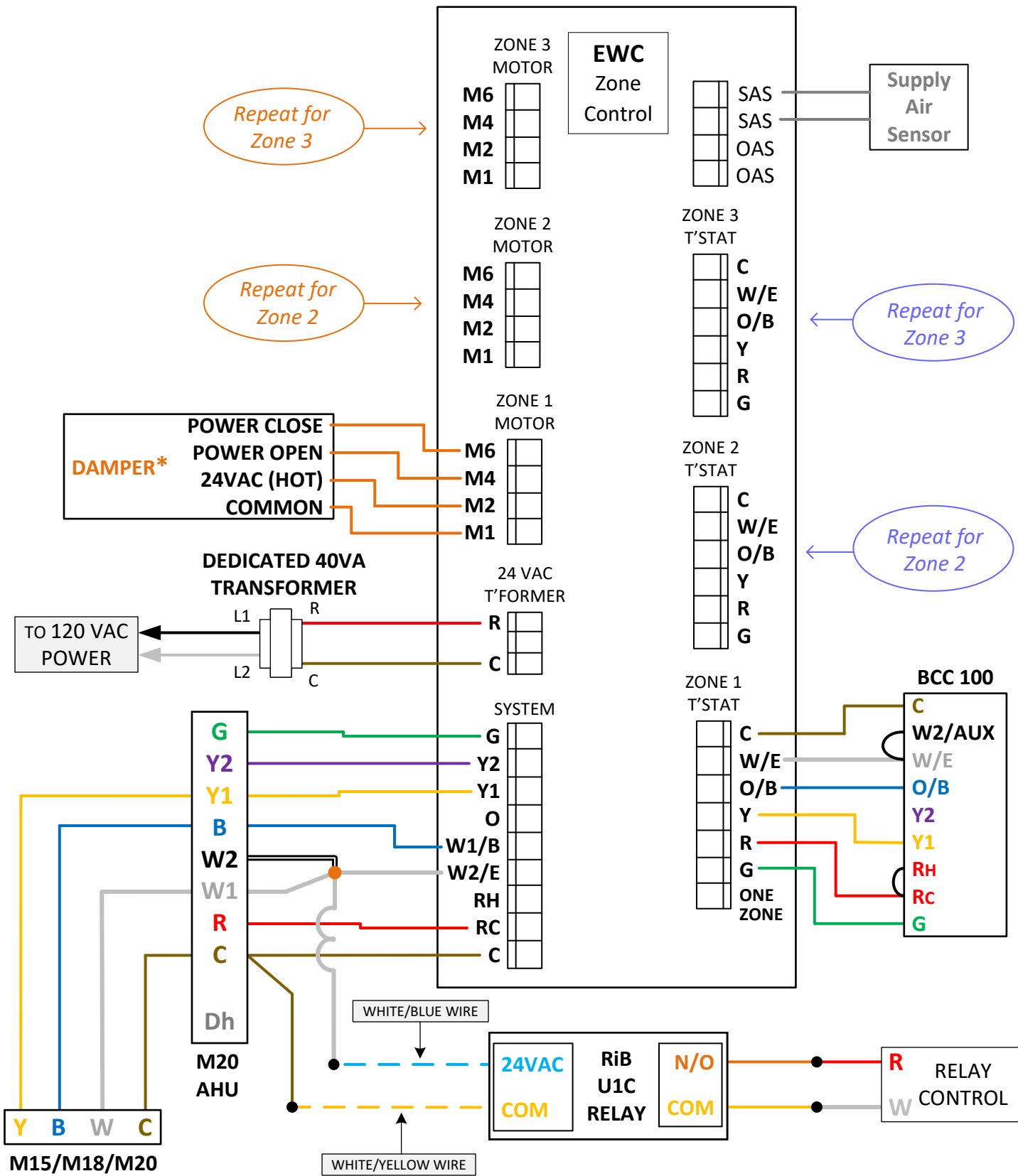


BOSCH

Invented for life

For further assistance, please contact
TSS Associates for Tech Support

518-621-7283



NOTES:

*If powering more than one damper per zone, a dedicated transformer with isolation relay is required at each zone. Follow the directions in the EWC Installation and Operation Manual.

TSS Associates, Inc.

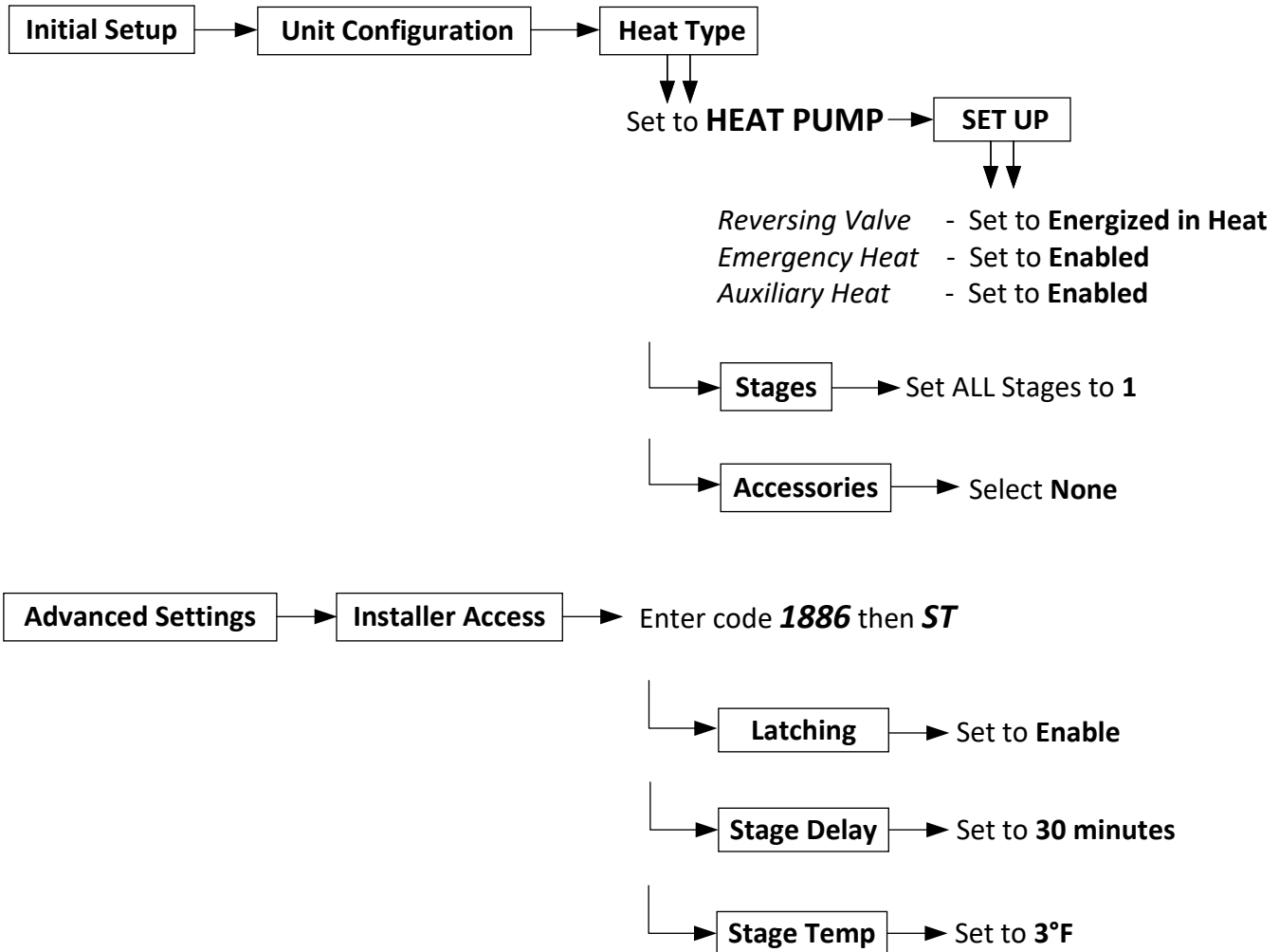
DESCRIPTION

BOSCH BCC100 – IDS – M20 AIR HANDLER – HYDRONIC COIL – EWC BMP3000

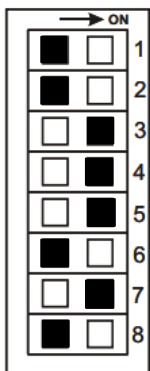
DATE: 2/6/2024

PAGE: 2 of 3

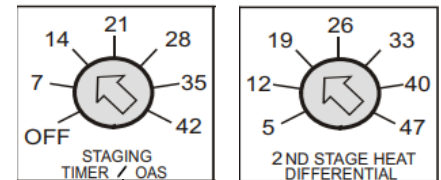
THERMOSTAT PARAMETERS:



ZONE CONTROL PARAMETERS:



HP < SYSTEM > OTHER
DF < HP > **CONV**
HC < TSTATS > **HP**
O < RV > **B**
OAS < STAGING > **TIMER**
OFF < 50%RULE > **ON**
OFF < SAS > **ON**
GAS < FAN > **HYDRONIC**



Set **OAS** to **Whatever temp is desired**
 Set **2nd Stage Heat Differential** to **5**

NOTES:

TSS Associates, Inc.

DESCRIPTION

BOSCH BCC100 – **IDS** – M20 AIR HANDLER –
HYDRONIC COIL – EWC BMP3000

DATE: 2/6/2024

PAGE: 3 of 3