



TSS Associates, Inc.



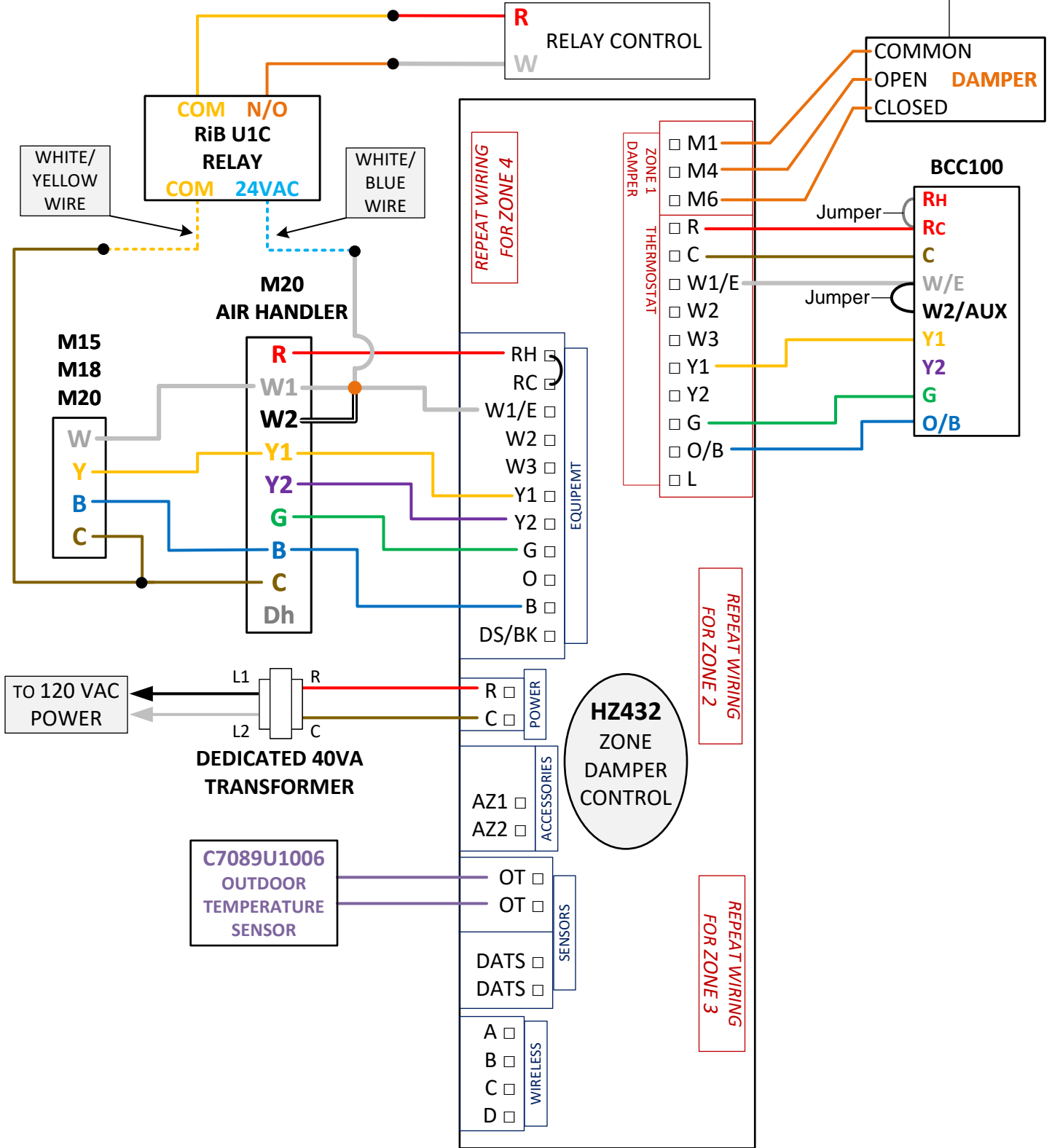
BOSCH

Invented for life

For further assistance, please contact
TSS Associates for Tech Support

518-621-7283

****IF WIRING MULTIPLE DAMPERS IN SERIES ON ONE ZONE, USE A DEDICATED TRANSFORMER AND ISOLATION RELAY AT EACH ZONE**



NOTES:

- For HYDRO-COIL DUAL FUEL Applications -

TSS Associates, Inc.

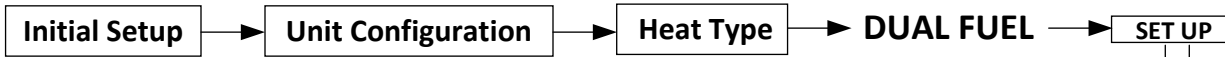
DESCRIPTION

BOSCH BCC100 – IDS – M20 AIR HANDLER –
HYDRONIC COIL – HONEYWELL HZ432 (D.F.)

DATE: 2/14/2024

PAGE: 2 of 3

THERMOSTAT PARAMETERS:



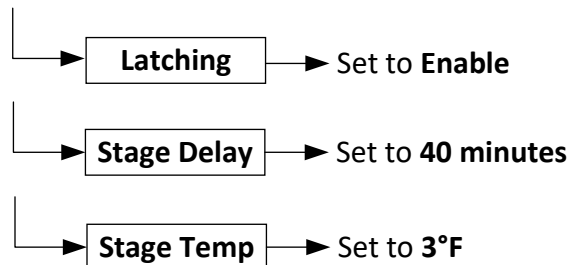
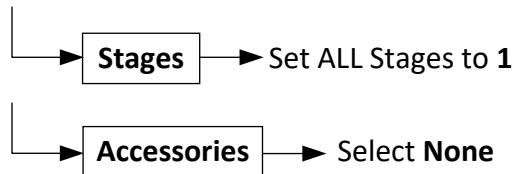
Fan Control

- Set to **Thermostat**

Reversing Valve
Balance Point

- Set to **Energized in Heat**
- Set to **Whatever temperature is desired based upon homeowner comfort and energy costs**

Changeover Delay - Set to **45sec**



ZONE CONTROL PARAMETERS:

SYSTEM TYPE: [HEATPUMP]
 COMPRESSOR STAGES: [2]
 DUAL FUEL OPERATION: [YES]
 DFUEL HT STAGES: [1]
 RF ENABLED: [NO] ****THIS OPTION IS ONLY USED IF YOU ARE INSTALLING WIRELESS CONTROLLERS****
 ZONES INSTALLED: **SELECT APPROPRIATE NUMBER OF ZONES BEING USED**
 ZONE1 TSTAT TYPE: [HTPUMP-B] → **REPEAT THIS SELECTION FOR EACH ZONE**
 STAGE 2 CONTROL: [% ZONES]
 STAGE 3 CONTROL: [TSTAT]
 ADVANCED CONFIG? [YES] → HEAT FAN CONTROL: [HVAC]
 DISCHARGE SENSOR: [NO]
 MSTG OT LOCKOUT: [NO]
 SAVE CHANGES? [YES]

NOTES:

TSS Associates, Inc.

DESCRIPTION

BOSCH BCC100 – IDS – M20 AIR HANDLER –
 HYDRONIC COIL – HONEYWELL HZ432 (D.F.)

DATE: 2/14/2024

PAGE: 3 of 3