



# TSS Associates, Inc.



**BOSCH**

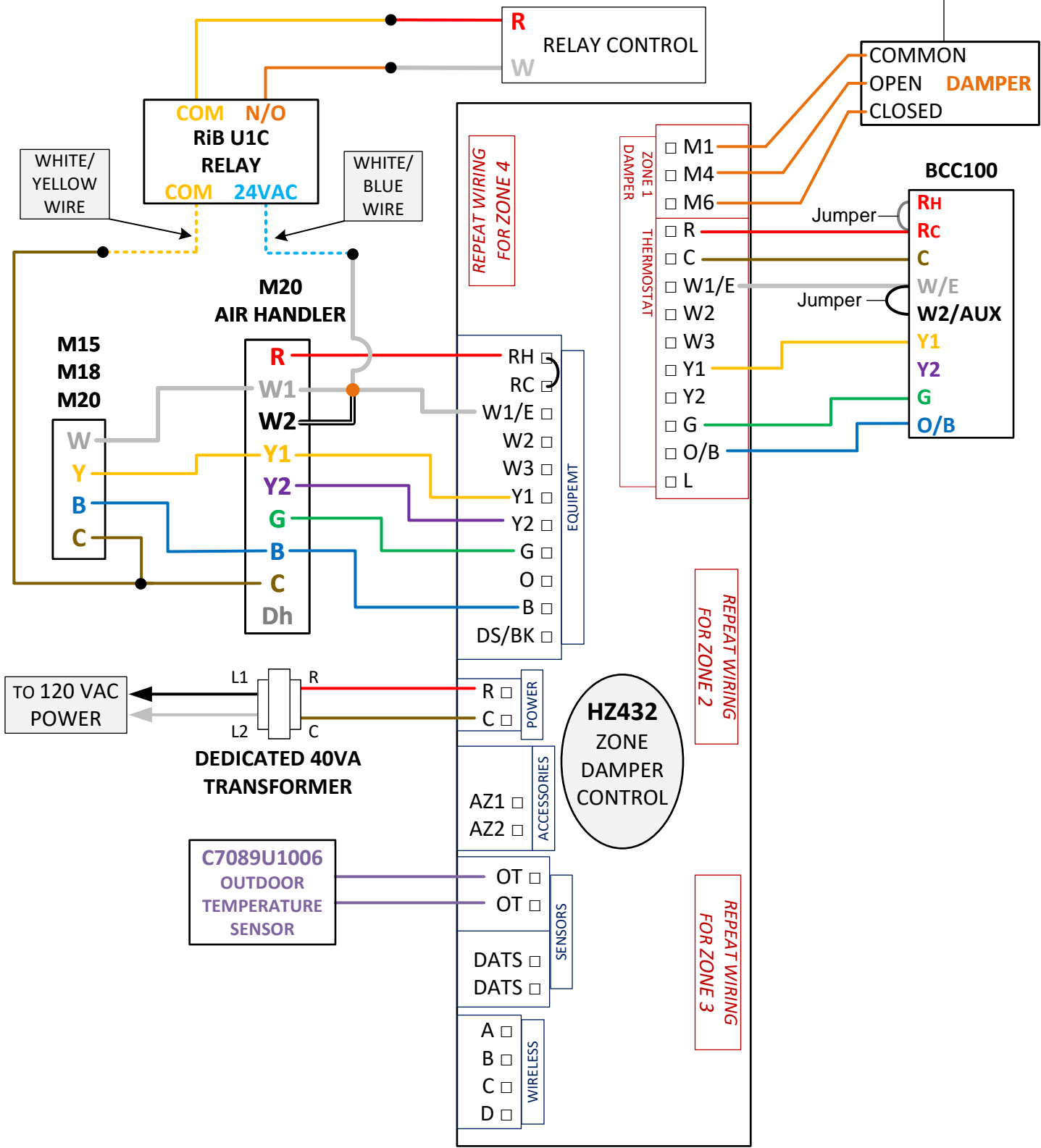
Invented for life

For further assistance, please contact  
TSS Associates for Tech Support

---

518-621-7283

**\*\*IF WIRING MULTIPLE DAMPERS IN SERIES ON ONE ZONE, USE A DEDICATED TRANSFORMER AND ISOLATION RELAY AT EACH ZONE**



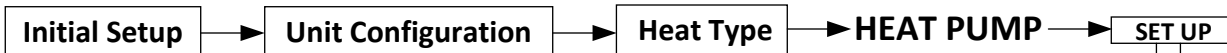
**NOTES:**

- For HYDRO-COIL AUXILIARY Applications -

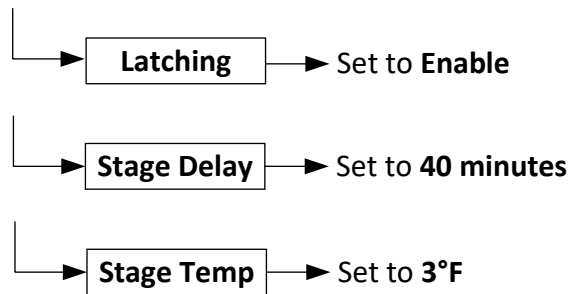
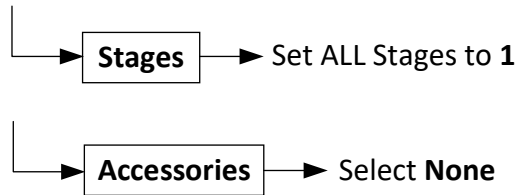
**TSS Associates, Inc.**

DESCRIPTION  
BOSCH BCC100 – IDS – M20 AIR HANDLER –  
HYDRONIC COIL – HONEYWELL HZ432 (AUX)

**THERMOSTAT PARAMETERS:**



*Reversing Valve* - Set to **Energized in Heat**  
*Emergency Heat* - Set to **Enabled**  
*Auxiliary Heat* - Set to **Enabled**



**ZONE CONTROL PARAMETERS:**

SYSTEM TYPE: [HEATPUMP]  
 COMPRESSOR STAGES: [2]  
 DUAL FUEL OPERATION: [NO]  
 AUX HT ENABLED: [YES]  
 RF ENABLED: [NO] **\*\*THIS OPTION IS ONLY USED IF YOU ARE INSTALLING WIRELESS CONTROLLERS\*\***  
 ZONES INSTALLED: **SELECT APPROPRIATE NUMBER OF ZONES BEING USED**  
 ZONE1 TSTAT TYPE: [HTPUMP-B] → REPEAT THIS SELECTION FOR EACH ZONE  
 STAGE 2 CONTROL: [% ZONES]  
 STAGE 3 CONTROL: [TSTAT]  
 ADVANCED CONFIG? [YES] → HEAT FAN CONTROL: [HVAC]  
 DISCHARGE SENSOR: [NO]  
 MSTG OT LOCKOUT: [YES]  
 OT BALANCE TEMP: [SET TO WHATEVER TEMP IS DESIRED]

SAVE CHANGES? [YES]

NOTES:	<b>TSS Associates, Inc.</b>	
	DESCRIPTION BOSCH BCC100 – IDS – M20 AIR HANDLER – HYDRONIC COIL – HONEYWELL HZ432 (AUX)	
	DATE: 2/14/2024	PAGE: 3 of 3