



# TSS Associates, Inc.

# Honeywell

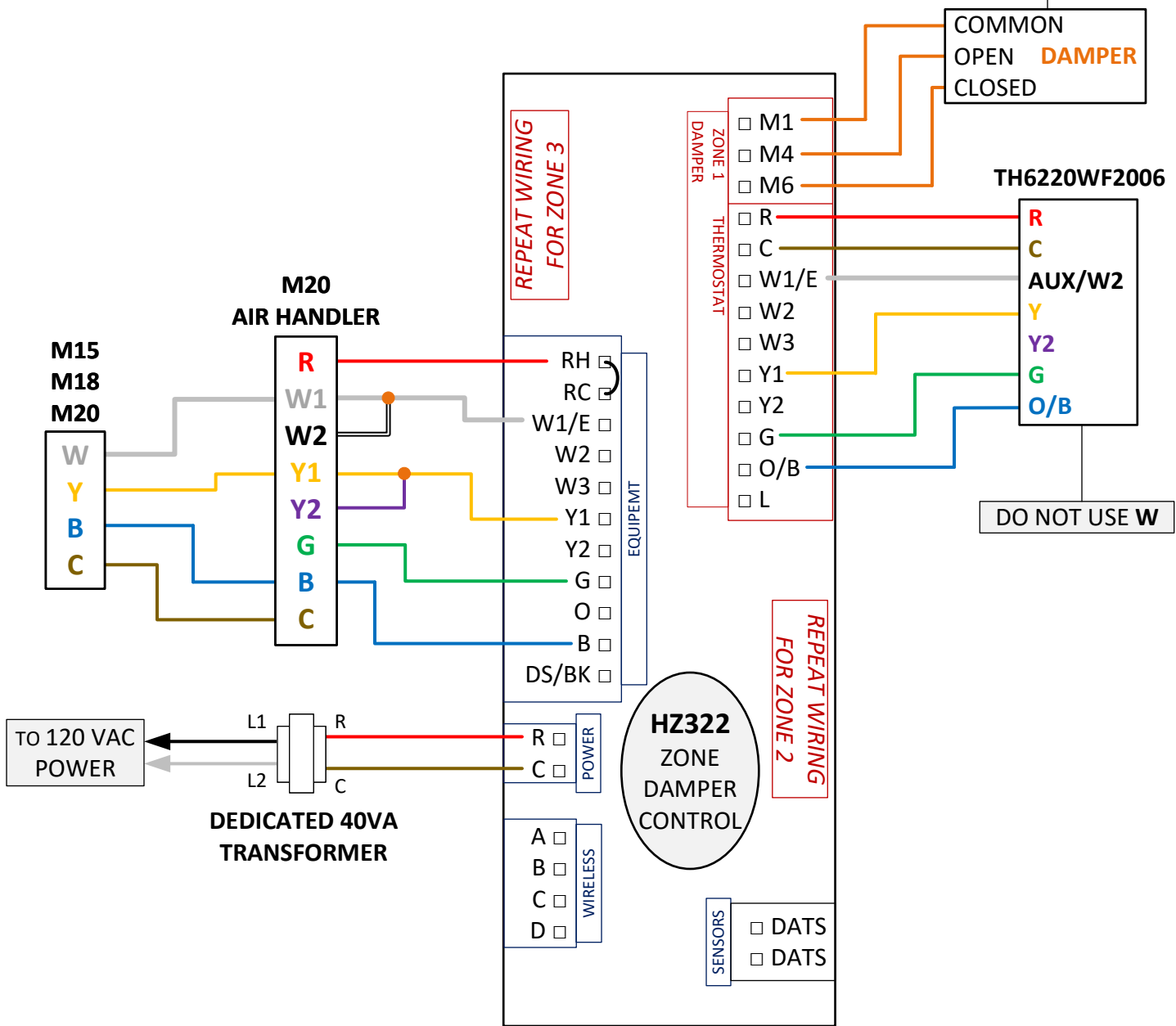
For further assistance, please contact  
Honeywell directly for Tech Support

---

1-800-633-3991

© Copyright 2023 TSS Associates, Inc. All Rights Reserved. No part of this document may be modified or reproduced without consent from TSS Associates, Inc. This document is for informational purposes only. For additional assistance, please contact Tech Support.

**\*\*IF WIRING MULTIPLE DAMPERS IN SERIES ON ONE ZONE, USE A DEDICATED TRANSFORMER AND ISOLATION RELAY AT EACH ZONE**



**NOTES:**

- For Electric Back-up Applications -

**TSS Associates, Inc.**

**DESCRIPTION**

HONEYWELL T6 & HZ322 – BOSCH IDS – M20 AHU

DATE: 2/23/2024

PAGE: 2 of 3

**PARAMETERS:**

- 130 - Outdoor Temp. - Set to **Internet** for Wi-Fi Internet data source
- 200 - System Type - Set to **Heat Pump**
- 205 - Equipment Type - Factory set to **Air To Air**
- 218 - Reversing Valve - Set to **O/B on Heat**
- 220 - Cool Stages - Set to **1**
- 221 - Aux/E Stages - Factory set to **1**
- 253 - Aux/E Control - Set to **Both**
- 255 - Aux Heat Type - Set to **Electric**
- 300 - Auto Changeover - Factory set to **Off**
- 340 - Aux Heat Droop - Set to **3°F**
- 350 - Up Stage Timer - Set to **Whatever time delay desired based on homeowner comfort and energy costs**  
Aux Heat *Thermostat will activate back-up heat after the set time delay if it is still not satisfied by the heat pump, this option is deactivated once Balance Point is met.*
- 355 - Balance Point - Set to **Off**  
*For Compressor Lockout and switchover to Aux Heat*
- 356 - Aux Heat Lockout - Set to **Whatever outdoor temperature is desired based upon energy costs**
- 365 - Cool 1 CPH - Compressor cycle rate, Set to **1 CPH** (Cycles Per Hour)
- 375 - Aux Heat CPH - Set to **1 CPH**
- 387 - Compressor Protection - Set to **Off**

---

**ZONE CONTROL PARAMETERS:**

SYSTEM TYPE: **[HEATPUMP]**  
COMPRESSOR STAGES: **[1]**  
AUX HT STAGES: **[1]**  
RF ENABLED: **[NO]** *\*\*THIS OPTION IS ONLY USED IF YOU ARE INSTALLING WIRELESS CONTROLLERS\*\**  
ZONES INSTALLED: **SELECT APPROPRIATE NUMBER OF ZONES BEING USED**  
ZONE1 TSTAT TYPE: **[HTPUMP-B]** → *REPEAT THIS SELECTION FOR EACH ZONE*  
STAGE 2 CONTROL: **[T/STAT]**  
ADVANCED CONFIG? **[NO]**  
SAVE CHANGES? **[YES]**

NOTES:

**TSS Associates, Inc.**

DESCRIPTION

HONEYWELL T6 & HZ322 – BOSCH IDS – M20 AIR HANDLER

DATE: 2/23/2024

PAGE: 3 of 3