

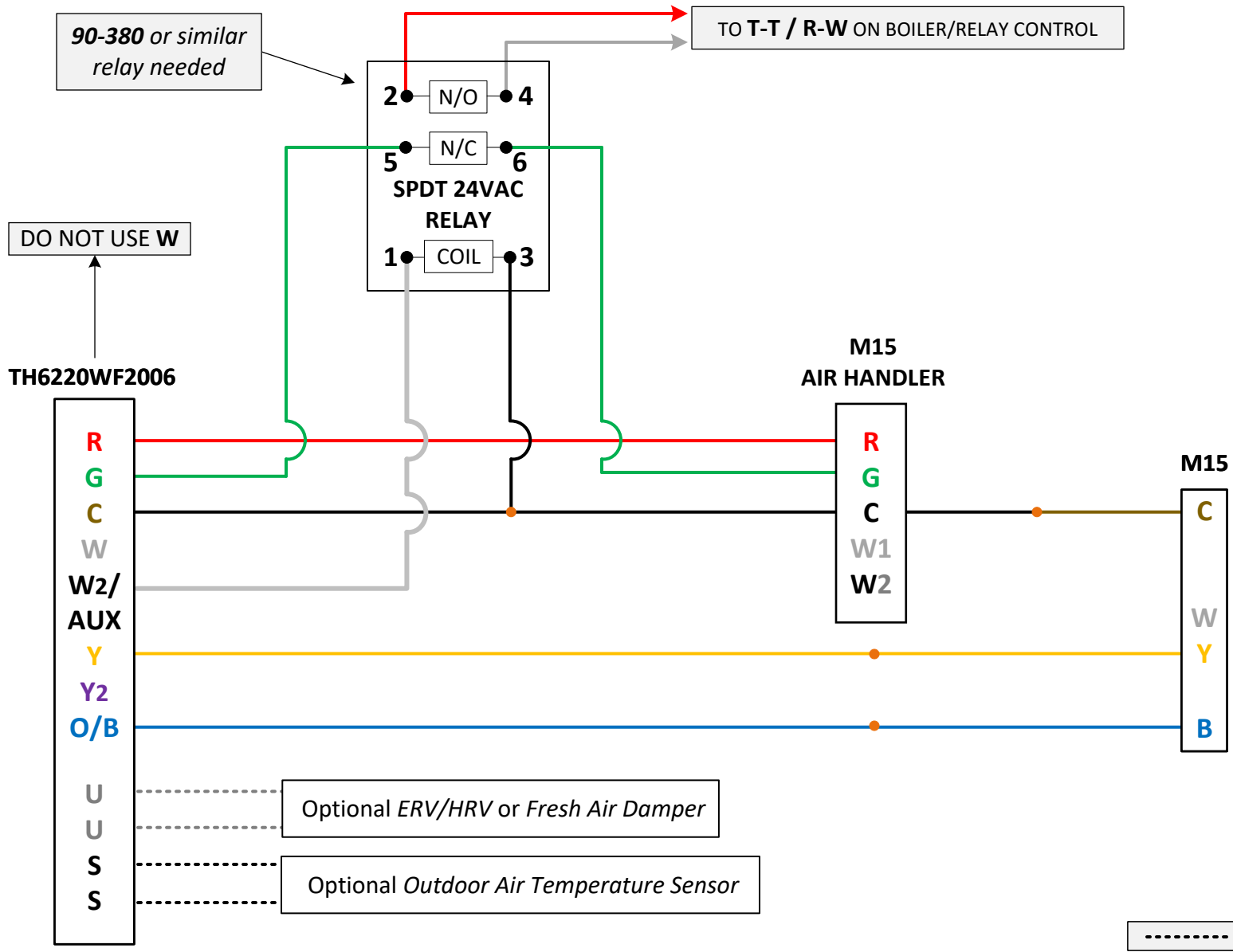


TSS Associates, Inc.

Honeywell

For further assistance, please contact
Honeywell directly for Tech Support

1-800-633-3991



NOTES:
 For applications with a boiler and baseboard, radiators, or radiant as auxiliary heat.
 Thermostat controls fan through **Single Pole Double Throw** relay.
 When Auxiliary Heat is activated through thermostat, fan signal is deactivated to AHU through relay.

<h1>TSS Associates, Inc.</h1>	
DESCRIPTION HONEYWELL T6 – BOSCH IDS – M15 AHU – BOILER BACK-UP – FAN RELAY	
DATE: 1/4/2024	PAGE: 2 of 3

PARAMETERS:

- 130 - Outdoor Temp. - Set to **Internet** for Wi-Fi Internet data source; Set to **Wired** for an Outdoor Air Sensor wired to terminals S-S
- 200 - System Type - Set to **Heat Pump**
- 205 - Equipment Type - Factory set to **Air To Air**
- 218 - Reversing Valve - Set to **O/B on Heat**
- 220 - Cool Stages - Set to **1**
- 221 - Aux/E Stages - Factory set to **1**
- 253 - Aux/E Control - Set to **Both**
- 255 - Aux Heat Type - Set to **Electric**
- 300 - Auto Changeover - Factory set to **Off**
- 340 - Aux Heat Droop - Set to **3°F**
- 350 - Up Stage Timer - Set to **60 minutes**
Aux Heat *Thermostat will activate back-up heat after 45 minutes if it is still not satisfied by the heat pump, this option is deactivated once Balance Point is met.*
- 355 - Balance Point - Set to **Whatever outdoor temperature is desired based upon homeowner comfort and energy costs**
For Compressor Lockout and switchover to Aux Heat
- 356 - Aux Heat Lockout - Set to **Whatever outdoor temperature is desired based upon energy costs**
- 365 - Cool 1 CPH - Compressor cycle rate, Set to **1 CPH** (Cycles Per Hour)
- 375 - Aux Heat CPH - Set to **1 CPH**
- 387 - Compressor Protection - Set to **Off**

****All other setpoints should be left to Factory Settings unless any optional equipment has been added to system or based upon customer preference****

NOTES:

Some of these parameters may not come up during initial thermostat set-up. Once at 'home' screen, press and hold 'Menu' button for 5 seconds and go into 'Device Settings' to configure remaining parameters.

TSS Associates, Inc.

DESCRIPTION

HONEYWELL T6 – BOSCH IDS – M15 AHU – BOILER BACK-UP – FAN RELAY

DATE: 1/11/2024

PAGE: 3 of 3