



TSS Associates, Inc.

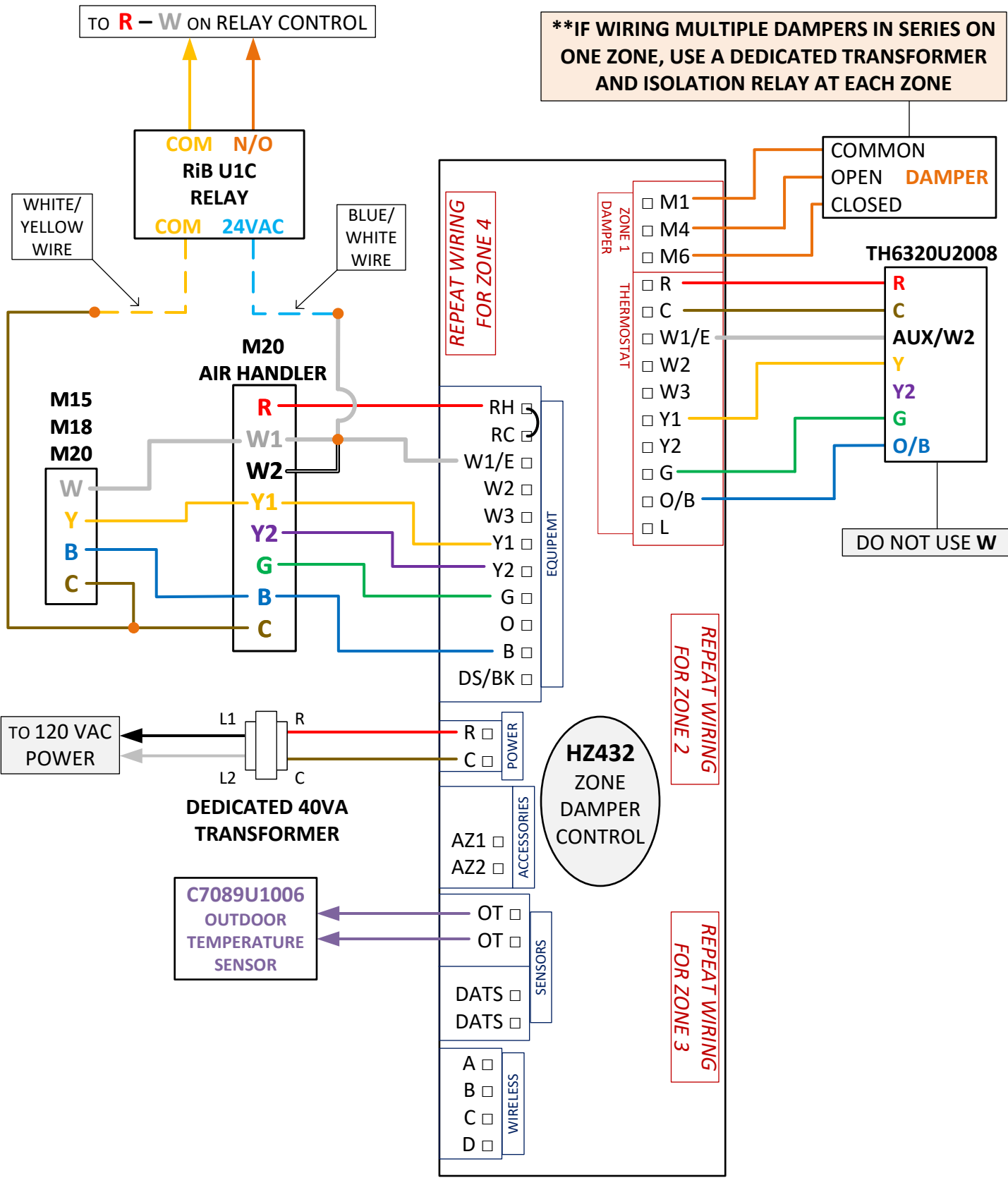
Honeywell

For further assistance, please contact
Honeywell directly for Tech Support

1-800-633-3991

© Copyright 2023 TSS Associates, Inc. All Rights Reserved. No part of this document may be modified or reproduced without consent from TSS Associates, Inc. This document is for informational purposes only. For additional assistance, please contact Tech Support.

****IF WIRING MULTIPLE DAMPERS IN SERIES ON ONE ZONE, USE A DEDICATED TRANSFORMER AND ISOLATION RELAY AT EACH ZONE**



NOTES:
 - For HYDRO-COIL Applications -

TSS Associates, Inc.

DESCRIPTION
 HONEYWELL T6 & HZ432 – BOSCH IDS – HYDROCOIL

THERMOSTAT PARAMETERS:

- 130 - Outdoor Temp. - Set to **0**
- 200 - System Type - Set to **2 = Heat Pump**
- 205 - Equipment Type - Set to **7 = Air To Air**
- 218 - Reversing Valve - Set to **1 = O/B on Heat**
- 220 - Cool Stages - Set to **1**
- 221 - Aux/E Stages - Set to **1**
- 253 - Aux/E Control - Set to **0 = Both**
- 255 - Aux Heat Type - Set to **1 = Electric**
- 260 - Fossil Fuel Kit - Set to **0 = Thermostat**
- 300 - System Changeover - Factory set to **0 = Manual**
- 340 - Aux Heat Droop - Set to **3°F**
- 350 - Upstage Timer - Factory set to **0 = Off**
- 365 - Cool 1 CPH - Compressor cycle rate, Set to **1 CPH** (Cycles Per Hour)
- 375 - Aux Heat CPH - Set to **1 CPH**
- 387 - Compressor Protection - Set to **Off**
- 425 - Adaptive Recovery - Set to **On**

All other setpoints should be left to Factory Settings unless any optional equipment has been added to system or based upon customer preference

ZONE CONTROL PARAMETERS:

- SYSTEM TYPE: **[HEATPUMP]**
- DUAL FUEL OPER: **[NO]**
- COMPRESSOR STAGES: **[2]**
- AUX HT ENABLED: **[YES]**
- RF ENABLED: **[NO]** ***THIS OPTION IS ONLY USED IF YOU ARE INSTALLING WIRELESS CONTROLLERS***
- ZONES INSTALLED: **SELECT APPROPRIATE NUMBER OF ZONES BEING USED**
- ZONE1 TSTAT TYPE: **[HTPUMP-B] → REPEAT THIS SELECTION FOR EACH ZONE**
- STAGE 2 CONTROL: **[% ZONES]**
- STAGE 3 CONTROL: **[TIMER]**
- ADVANCED CONFIG? **[YES] →** HEAT FAN CONTROL: **[HVAC]**
- STAGE 3 TIMER: **[60]**
- MSTG OT LOCKOUT: **[YES]**
- OT BALANCE TEMP: **[20]**

- SAVE CHANGES? **[YES]**

NOTES:

Some of the thermostat parameters may not come up during initial set-up. Once at 'home' screen, press and hold 'Menu' button for 5 seconds and go into 'Device Settings' to configure remaining parameters.

TSS Associates, Inc.

DESCRIPTION

HONEYWELL T6 & HZ432 – BOSCH IDS – HYDROCOIL

DATE: 1/8/2024

PAGE: 3 of 3