



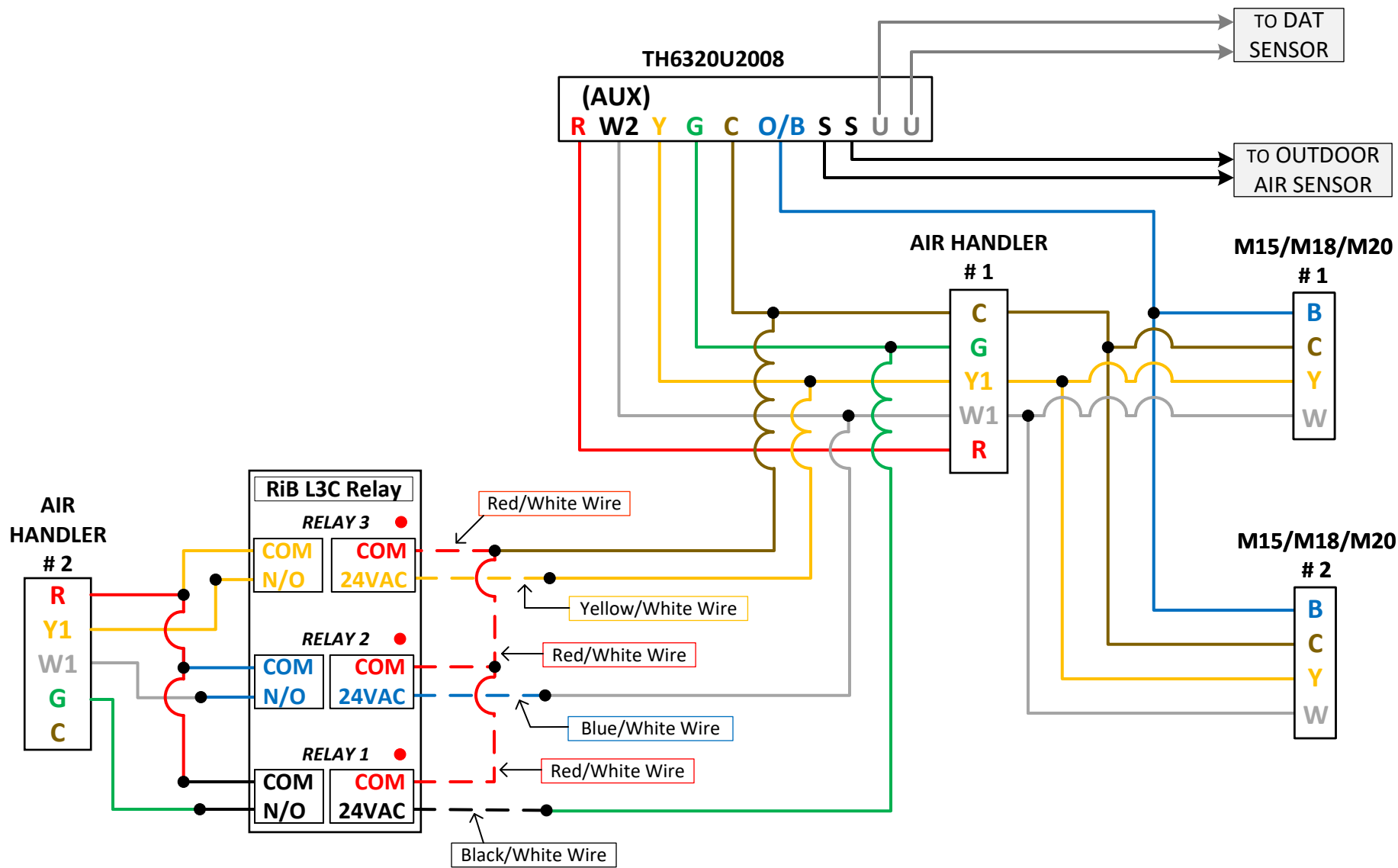
TSS Associates, Inc.

Honeywell

For further assistance, please contact
Honeywell directly for Tech Support

1-800-633-3991

© Copyright 2023 TSS Associates, Inc. All Rights Reserved. No part of this document may be modified or reproduced without consent from TSS Associates, Inc. This document is for informational purposes only. For additional assistance, please contact Tech Support.



NOTES:

- >> Jump **Y1** and **Y2** together at the Air Handlers for higher fan speed
- >> Jump **W1** and **W2** together at the Air Handlers for higher fan speed.

TSS Associates, Inc.

DESCRIPTION
HONEYWELL T6 – BOSCH IDS – AHU TWINNED

DATE: 1/5/2024

PAGE: 2 of 3

THERMOSTAT PARAMETERS:

- 130 - Outdoor Temp. - Set to **1 = Wired Outdoor Sensor**
- 200 - System Type - Set to **2 = Heat Pump**
- 205 - Equipment Type - Set to **7 = Air To Air**
- 218 - Reversing Valve - Set to **1 = O/B on Heat**
- 220 - Cool Stages - Set to **1**
- 221 - Aux/E Stages - Set to **1**
- 253 - Aux/E Control - Set to **0 = Both**
- 255 - Aux Heat Type - Set to **1 = Electric**
- 260 - Fossil Fuel Kit - Set to **0 = Thermostat**
- 300 - System Changeover - Factory set to **0 = Manual**
- 340 - Aux Heat Droop - Set to **3°F**
- 350 - Upstage Timer - Set to **0 = Off**
- 355 - Compressor Lockout/
Balance Point - Set to **5°F**
- 365 - Cool 1 CPH - Compressor cycle rate, Set to **1 CPH** (Cycles Per Hour)
- 375 - Aux Heat CPH - Set to **1 CPH**
- 387 - Compressor
Protection - Set to **0 = Off**
- 425 - Adaptive Recovery - Set to **1 = Yes**
- 500 - Indoor Sensor - Set to **1 = Yes**
- 515 - Sensor type - Set to **0 = 10k, 1 = 20k**
- 520 - Temperature Control - Set to **2 = Average**

All other setpoints should be left to Factory Settings unless any optional equipment has been added to system or based upon customer preference

NOTES:

TSS Associates, Inc.

DESCRIPTION

HONEYWELL T6 – BOSCH IDS – AHU TWINNED

DATE: 1/11/2024

PAGE: 3 of 3