

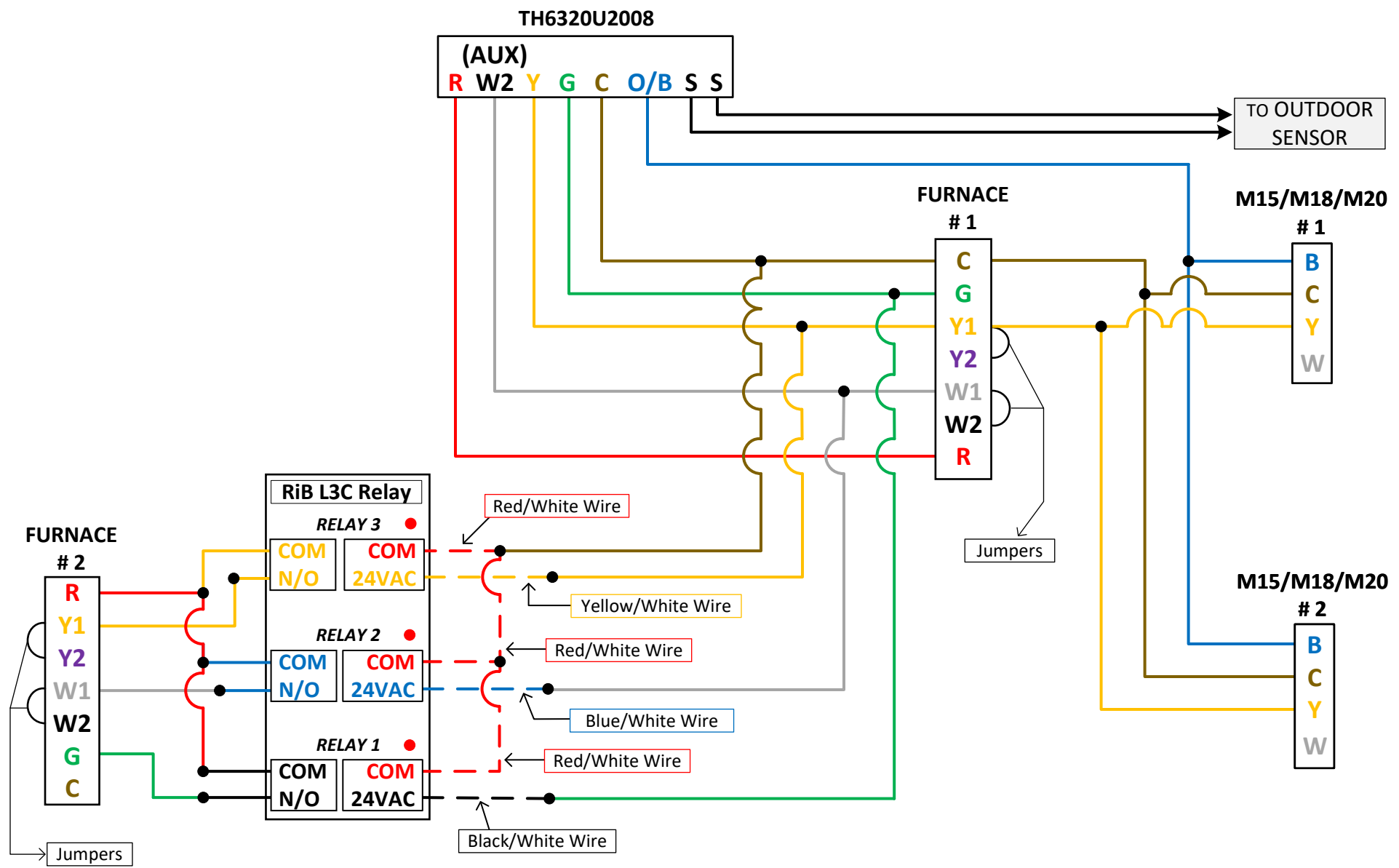


TSS Associates, Inc.

Honeywell

For further assistance, please contact
Honeywell directly for Tech Support

1-800-633-3991



NOTES:

TSS Associates, Inc.

DESCRIPTION
 HONEYWELL T6 – BOSCH IDS – GAS/OIL FURNACE TWINNED

THERMOSTAT PARAMETERS:

- 130 - Outdoor Temp. - Set to **1 = Wired Outdoor Sensor**
- 200 - System Type - Set to **2 = Heat Pump**
- 205 - Equipment Type - Set to **7 = Air To Air**
- 218 - Reversing Valve - Set to **1 = O/B on Heat**
- 220 - Cool Stages - Set to **1**
- 221 - Aux/E Stages - Set to **1**
- 253 - Aux/E Control - Set to **0 = Both**
- 255 - Aux Heat Type - Set to **2 = Gas/Oil**
- 260 - Fossil Fuel Kit - Set to **0 = Thermostat**
- 300 - System Changeover - Factory set to **0 = Manual**
- 340 - Aux Heat Droop - Set to **3°F**
- 350 - Upstage Timer - Set to **3 = 60 minutes**
- 355 - Compressor Lockout/
Balance Point - Set to **Whatever temperature is desired**
- 365 - Cool 1 CPH - Compressor cycle rate, Set to **1 CPH** (Cycles Per Hour)
- 375 - Aux Heat CPH - Set to **1 CPH**
- 387 - Compressor
Protection - Set to **0 = Off**
- 425 - Adaptive Recovery - Set to **1 = Yes**

All other setpoints should be left to Factory Settings unless any optional equipment has been added to system or based upon customer preference

NOTES:

TSS Associates, Inc.

DESCRIPTION

HONEYWELL T6 – BOSCH **IDS** – GAS/OIL FURNACE TWINNED

DATE: 1/5/2024

PAGE: 3 of 3