

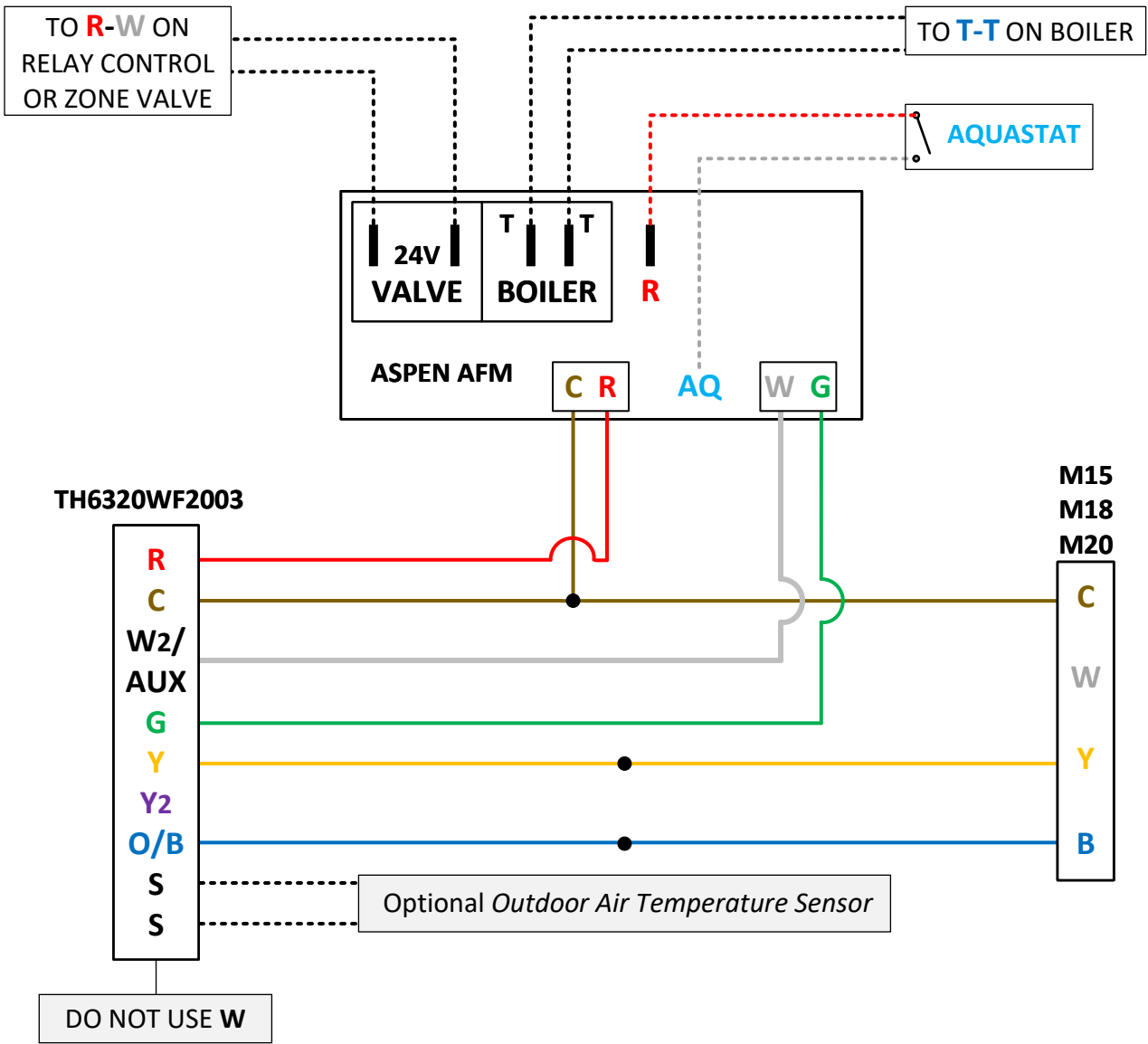


TSS Associates, Inc.

Honeywell

For further assistance, please contact
Honeywell directly for Tech Support

1-800-633-3991



- NOTES:**
- Aquastat (AQ) jumper must always be set to 'OFF' unless using an aquastat
 - > When present, blower will activate based on AQ temp settings
 - Units with pump:
Pump energized on call for heat
 - Units without pump:
Connect boiler to T-T (normally open dry contacts)
 - > If using zone valve or relay control, move T-T (2 black) wires to 'VALVE' (normally open wet contacts)

----- = OPTIONAL WIRING

NOTES:

TSS Associates, Inc.

DESCRIPTION
HONEYWEL T6 – BOSCH IDS – ASPEN HYDROCOIL

DATE: 1/5/2024 PAGE: 2 of 3

PARAMETERS:

- 130 - Outdoor Temp. - Set to **Wired** for an Outdoor Air Sensor wired to terminals S-S, Set to **Internet** for Wi-Fi Internet data source
- 200 - System Type - Set to **Heat Pump**
- 205 - Equipment Type - Factory set to **Air To Air**
- 218 - Reversing Valve - Set to **O/B on Heat**
- 220 - Cool Stages - Set to **1**
- 221 - Aux/E Stages - Factory set to **1**
- 253 - Aux/E Control - Set to **Both**
- 255 - Aux Heat Type - Set to **Electric**
- 300 - Auto Changeover - Factory set to **Off**
- 340 - Aux Heat Droop - Set to **3°F**
- 350 - Up Stage Timer - If desired, set to **60 minutes**
Aux Heat *Thermostat will activate back-up heat after 60 minutes if it is still not satisfied by the heat pump, this option is deactivated once Balance Point is met.*
- 355 - Balance Point - Set to **Whatever outdoor temperature is desired based upon homeowner comfort and energy costs**
(Compressor Lockout)
- 356 - Aux Heat Lockout - Set to **Whatever outdoor temperature is desired based upon energy costs**
- 365 - Cool 1 CPH - Compressor cycle rate, Set to **1 CPH** (Cycles Per Hour)
- 375 - Aux Heat CPH - Set to **1 CPH**
- 387 - Compressor Protection - Set to **Off**

****All other setpoints should be left to Factory Settings unless any optional equipment has been added to system or based upon customer preference****

NOTES:

TSS Associates, Inc.

DESCRIPTION
HONEYWELL T6 – BOSCH **IDS** – ASPEN HYDROCOIL

DATE: 1/11/2024 PAGE: 3 of 3