



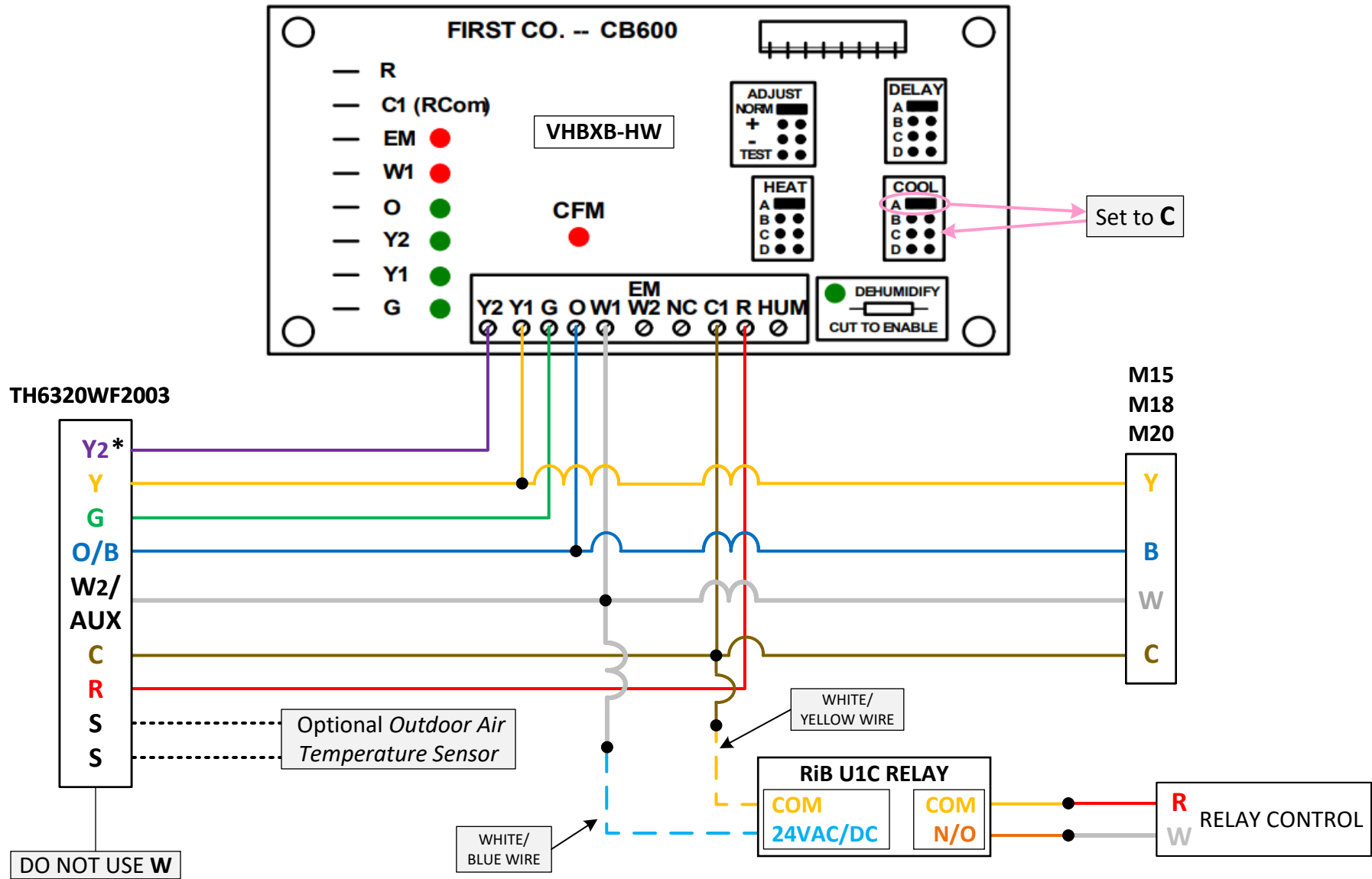
TSS Associates, Inc.

Honeywell

For further assistance, please contact
Honeywell directly for Tech Support

1-800-633-3991

© Copyright 2023 TSS Associates, Inc. All Rights Reserved. No part of this document may be modified or reproduced without consent from TSS Associates, Inc. This document is for informational purposes only. For additional assistance, please contact Tech Support.



NOTES:

*If not running Y – Y2, wire Y from thermostat and IDS into Y2 at the Air Handler.
Set Cool Stages in parameters to 1.

TSS Associates, Inc.

DESCRIPTION

HONEYWELL T6 – BOSCH IDS – FIRST CO. AHU

DATE: 1/11/2024

PAGE: 2 of 3

PARAMETERS:

- 130 - Outdoor Temp. - Set to **Internet** for Wi-Fi Internet data source, Set to **Wired** for an Outdoor Air Sensor wired to terminals S-S
- 200 - System Type - Set to **Heat Pump**
- 205 - Equipment Type - Factory set to **Air To Air**
- 218 - Reversing Valve - Set to **O/B on Heat**
- 220 - Cool Stages - Set to **2**; unless wiring single-stage, then set to **1**
- 221 - Aux/E Stages - Factory set to **1**
- 253 - Aux/E Control - Set to **Both**
- 255 - Aux Heat Type - Set to **Electric**
- 300 - Auto Changeover - Factory set to **Off**
- 340 - Aux Heat Droop - Set to **3°F**
- 350 - Up Stage Timer - If desired, set to **60 minutes**
 Aux Heat *Thermostat will activate back-up heat after 60 minutes if it is still not satisfied by the heat pump, this option is deactivated once Balance Point is met.*
- 355 - Balance Point - Set to **Whatever outdoor temperature is desired based upon homeowner comfort and energy costs**
 (Compressor Lockout)
- 356 - Aux Heat Lockout - Set to **Whatever outdoor temperature is desired based upon energy costs**
- 365 - Cool 1 CPH - Compressor cycle rate: Set to **1 CPH** (Cycles Per Hour)
- 366 - Cool 2 CPH - Set to **1 CPH** (if applicable)
- 375 - Aux Heat CPH - Set to **1 CPH**
- 387 - Compressor - Set to **Off**
 Protection

All other setpoints should be left to Factory Settings unless any optional equipment has been added to system or based upon customer preference

NOTES:

Some of these parameters may not come up during initial thermostat set-up. Once at 'home' screen, press and hold 'Menu' button for 5 seconds and go into 'Device Settings' to configure remaining parameters.

TSS Associates, Inc.

DESCRIPTION

HONEYWELL T6 – BOSCH **IDS** – FIRST CO. AHU

DATE: 1/5/2024

PAGE: 3 of 3