



# TSS Associates, Inc.

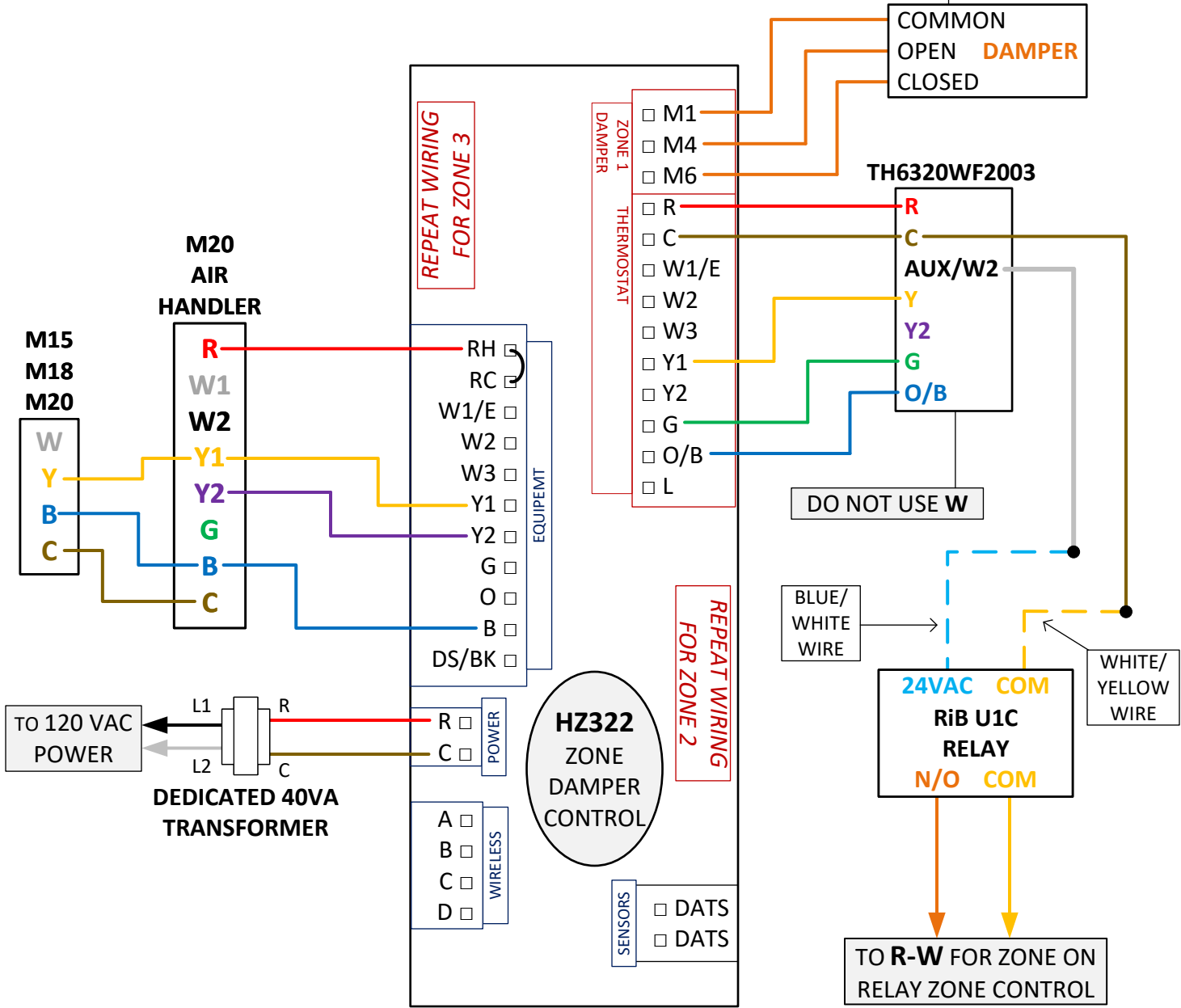
# Honeywell

For further assistance, please contact  
Honeywell directly for Tech Support

---

1-800-633-3991

**\*\*IF WIRING MULTIPLE DAMPERS IN SERIES ON ONE ZONE, USE A DEDICATED TRANSFORMER AND ISOLATION RELAY AT EACH ZONE**



**NOTES:**

For applications with each thermostat calling on a separate zone of boiler auxiliary heat to baseboard or radiators.

**TSS Associates, Inc.**

DESCRIPTION	
HONEYWELL T6 & HZ322 – BOSCH IDS – BOILER BACK-UP	
DATE:	2/26/2024
PAGE:	2 of 3

**THERMOSTAT PARAMETERS:**

- 120 - Schedule Type - Set to **No Schedule**
- 130 - Outdoor Temp. - Set to **Internet**
- 200 - System Type - Set to **Heat Pump**
- 205 - Equipment Type - Set to **Air To Air**
- 218 - Reversing Valve - Set to **O/B on Heat**
- 220 - Cool Stages - Set to **1**
- 221 - Aux/E Stages - Set to **1**
- 253 - Aux/E Control - Set to **Both Aux/E**
- 255 - Aux Heat Type - Set to **Gas/Oil**
- 260 - Fossil Fuel Kit - Set to **Thermostat**
- 300 - System Changeover - Factory set to **Manual**
- 340 - Aux Heat Droop - Set to **3°F**
- 350 - Upstage Timer - Set to **60 minutes**
- 355 - Balance Point - Set to **45°F**

(Compressor Lockout)

**NOTE:** *The defrost cycle for the outdoor unit is activated below 42°F. If it is desired to set the balance point lower than 42°F, "anti-cold blow" will need to be addressed in the field*

- 356 - Aux Heat Lockout - Set to **Whatever outdoor temperature is desired based upon energy costs**
- 365 - Cool 1 CPH - Compressor cycle rate, Set to **1 CPH** (Cycles Per Hour)
- 375 - Aux Heat CPH - Set to **1 CPH**
- 387 - Compressor Protection - Set to **Off**
- 425 - Adaptive Recovery - Set to **On**

*\*\*All other setpoints should be left to Factory Settings unless any optional equipment has been added to system or based upon customer preference\*\**

**ZONE CONTROL PARAMETERS:**

- SYSTEM TYPE: **[HEATPUMP]**
- COMPRESSOR STAGES: **[2]**
- RF ENABLED: **[NO]** **\*\*THIS OPTION IS ONLY USED IF YOU ARE INSTALLING WIRELESS CONTROLLERS\*\***
- ZONES INSTALLED: **SELECT APPROPRIATE NUMBER OF ZONES BEING USED**
- ZONE1 TSTAT TYPE: **[HTPUMP-B]** → **REPEAT THIS SELECTION FOR EACH ZONE**
- STAGE 2 CONTROL: **[% ZONES]**
- ADVANCED CONFIG? **[NO]**
- SAVE CHANGES? **[YES]**

NOTES:

**TSS Associates, Inc.**

DESCRIPTION

HONEYWELL T6 & HZ322 – BOSCH IDS – BOILER BACK-UP

DATE: 2/26/2024

PAGE: 3 of 3