



# TSS Associates, Inc.

# Honeywell

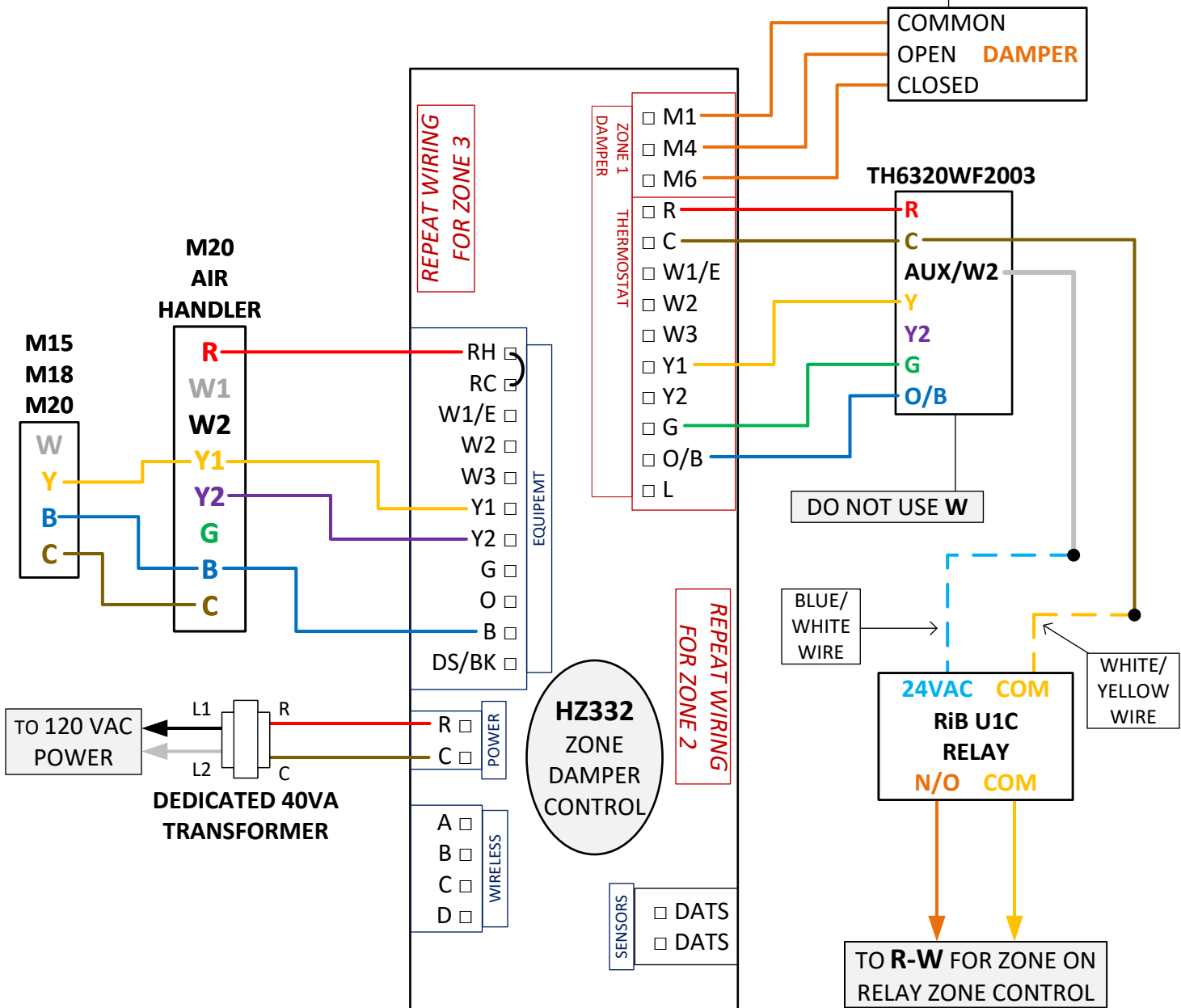
For further assistance, please contact  
Honeywell directly for Tech Support

---

1-800-633-3991

© Copyright 2023 TSS Associates, Inc. All Rights Reserved. No part of this document may be modified or reproduced without consent from TSS Associates, Inc. This document is for informational purposes only. For additional assistance, please contact Tech Support.

**\*\*IF WIRING MULTIPLE DAMPERS IN SERIES ON ONE ZONE, USE A DEDICATED TRANSFORMER AND ISOLATION RELAY AT EACH ZONE**



NOTES:

**TSS Associates, Inc.**

DESCRIPTION  
HONEYWELL T6 & HZ332 – BOSCH IDS – BOILER BACK-UP

DATE: 1/19/2024 PAGE: 2 of 3

**THERMOSTAT PARAMETERS:**

- 120 - Schedule Type - Set to **No Schedule**
- 130 - Outdoor Temp. - Set to **Internet**
- 200 - System Type - Set to **Heat Pump**
- 205 - Equipment Type - Set to **Air To Air**
- 218 - Reversing Valve - Set to **O/B on Heat**
- 220 - Cool Stages - Set to **1**
- 221 - Aux/E Stages - Set to **1**
- 253 - Aux/E Control - Set to **Both Aux/E**
- 255 - Aux Heat Type - Set to **Gas/Oil**
- 260 - Fossil Fuel Kit - Set to **Thermostat**
- 300 - System Changeover - Factory set to **Manual**
- 340 - Aux Heat Droop - Set to **3°F**
- 350 - Upstage Timer - Set to **60 minutes**
- 355 - Balance Point - Set to **Whatever outdoor temperature is desired based upon homeowner comfort and energy costs**  
(Compressor Lockout)
- 356 - Aux Heat Lockout - Set to **Whatever outdoor temperature is desired based upon energy costs**
- 365 - Cool 1 CPH - Compressor cycle rate, Set to **1 CPH** (Cycles Per Hour)
- 375 - Aux Heat CPH - Set to **1 CPH**
- 387 - Compressor Protection - Set to **Off**
- 425 - Adaptive Recovery - Set to **On**

*\*\*All other setpoints should be left to Factory Settings unless any optional equipment has been added to system or based upon customer preference\*\**

**ZONE CONTROL PARAMETERS:**

- SYSTEM TYPE: **[HEATPUMP]**
- DUAL FUEL OPER: **[YES]**
- COMPRESSOR STAGES: **[2]**
- RF ENABLED: **[NO]** *\*\*THIS OPTION IS ONLY USED IF YOU ARE INSTALLING WIRELESS CONTROLLERS\*\**
- ZONES INSTALLED: **SELECT APPROPRIATE NUMBER OF ZONES BEING USED**
- ZONE1 TSTAT TYPE: **[HTPUMP-B]** → *REPEAT THIS SELECTION FOR EACH ZONE*
- STAGE 2 CONTROL: **[% ZONES]**
- ADVANCED CONFIG? **[NO]**
- SAVE CHANGES? **[YES]**

NOTES:

Some of the thermostat parameters may not come up during initial set-up. Once at 'home' screen, press and hold 'Menu' button for 5 seconds and go into 'Device Settings' to configure remaining parameters.

**TSS Associates, Inc.**

DESCRIPTION

HONEYWELL T6 & HZ332 – BOSCH IDS – BOILER BACK-UP

DATE: 1/19/2024

PAGE: 3 of 3