



# TSS Associates, Inc.

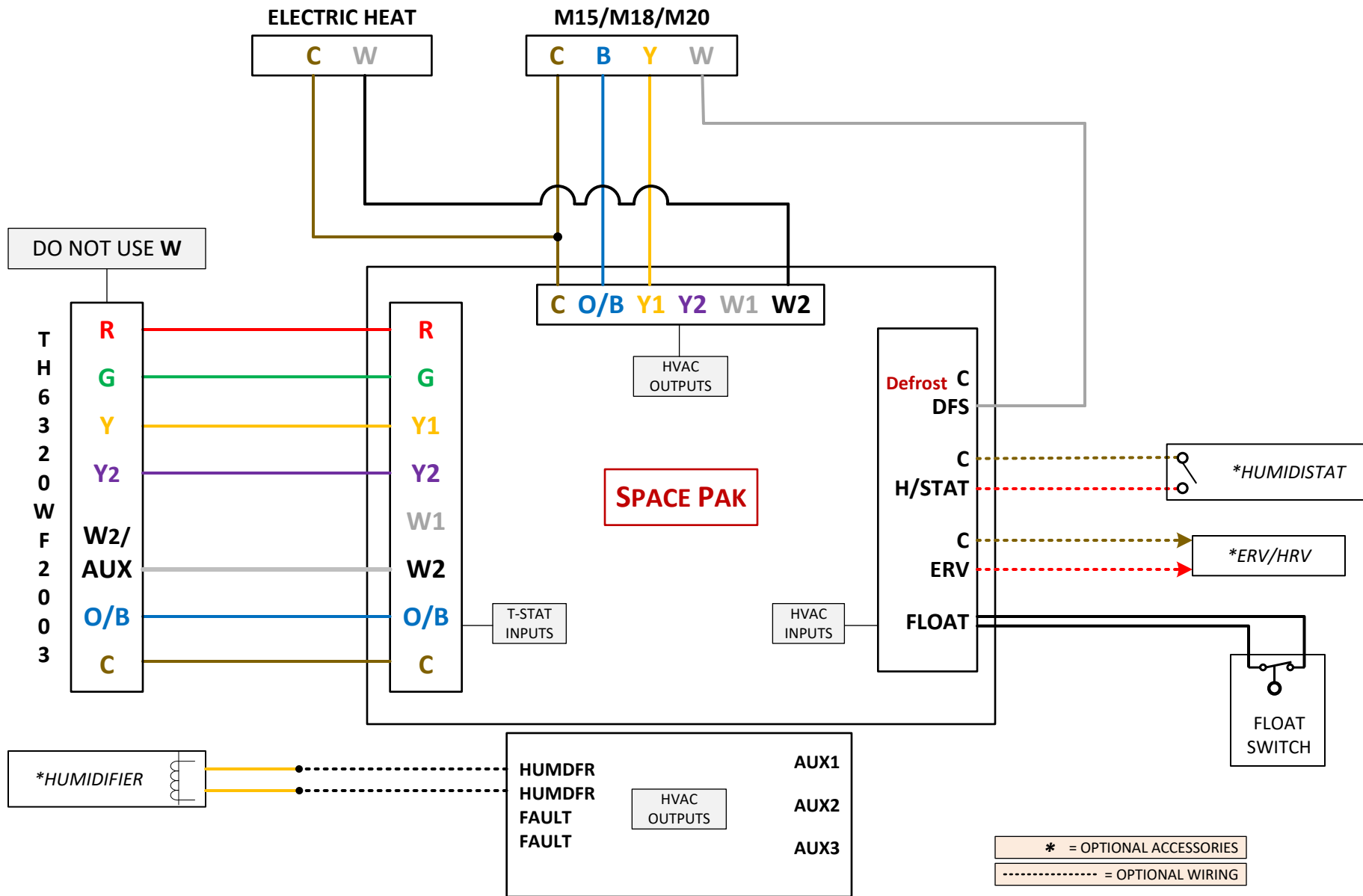
# Honeywell

For further assistance, please contact  
Honeywell directly for Tech Support

---

1-800-633-3991

© Copyright 2023 TSS Associates, Inc. All Rights Reserved. No part of this document may be modified or reproduced without consent from TSS Associates, Inc. This document is for informational purposes only. For additional assistance, please contact Tech Support.



**NOTES:**

- > **Defrost [DFS]** energizes fan and **W2** output relay
- > **W2** input energizes fan and **W2** output relay
- > Installation of EEH Electric Back-up Heat Kit is highly recommended

**TSS Associates, Inc.**

DESCRIPTION  
HONEYWELL T6 – BOSCH IDS – SPACEPAK ESP-J+

DATE: 1/11/2024 PAGE: 2 of 4

**PARAMETERS:**

- 130 - Outdoor Temp. - Set to **Wired** for an Outdoor Air Sensor wired to terminals S-S, Set to **Internet** for Wi-Fi Internet data source
- 200 - System Type - Set to **Heat Pump**
- 205 - Equipment Type - Factory set to **Air To Air**
- 218 - Reversing Valve - Set to **O/B on Heat**
- 220 - Cool Stages - Set to **2**
- 221 - Aux/E Stages - Factory set to **1**
- 253 - Aux/E Control - Set to **Both**
- 255 - Aux Heat Type - Set to **Electric**
- 300 - Auto Changeover - Factory set to **Off**
- 340 - Aux Heat Droop - Set to **3°F**
- 350 - Up Stage Timer - Set to **60 minutes**  
     Aux Heat                    *Thermostat will activate back-up heat after 60 minutes if it is still not satisfied by the heat pump, this option is deactivated once Balance Point is met.*
- 355 - Balance Point - Set to **Whatever outdoor temperature is desired based upon homeowner comfort and energy costs**  
     *For Compressor Lockout and switchover to Aux Heat*
- 356 - Aux Heat Lockout - Set to **Whatever outdoor temperature is desired based upon energy costs**
- 365 - Cool 1 CPH - Compressor cycle rate, Set to **1 CPH** (Cycles Per Hour)
- 366 - Cool 2 CPH - Set to **1 CPH**
- 375 - Aux Heat CPH - Set to **1 CPH**
- 387 - Compressor - Set to **Off**  
     Protection

\*\*All other setpoints should be left to Factory Settings unless any optional equipment has been added to system or based upon customer preference\*\*

NOTES:

Some form of back-up heat is highly recommended to be installed.

Some of these parameters may not come up during initial thermostat set-up. Once at 'home' screen, press and hold 'Menu' button for 5 seconds and go into 'Device Settings' to configure remaining parameters.

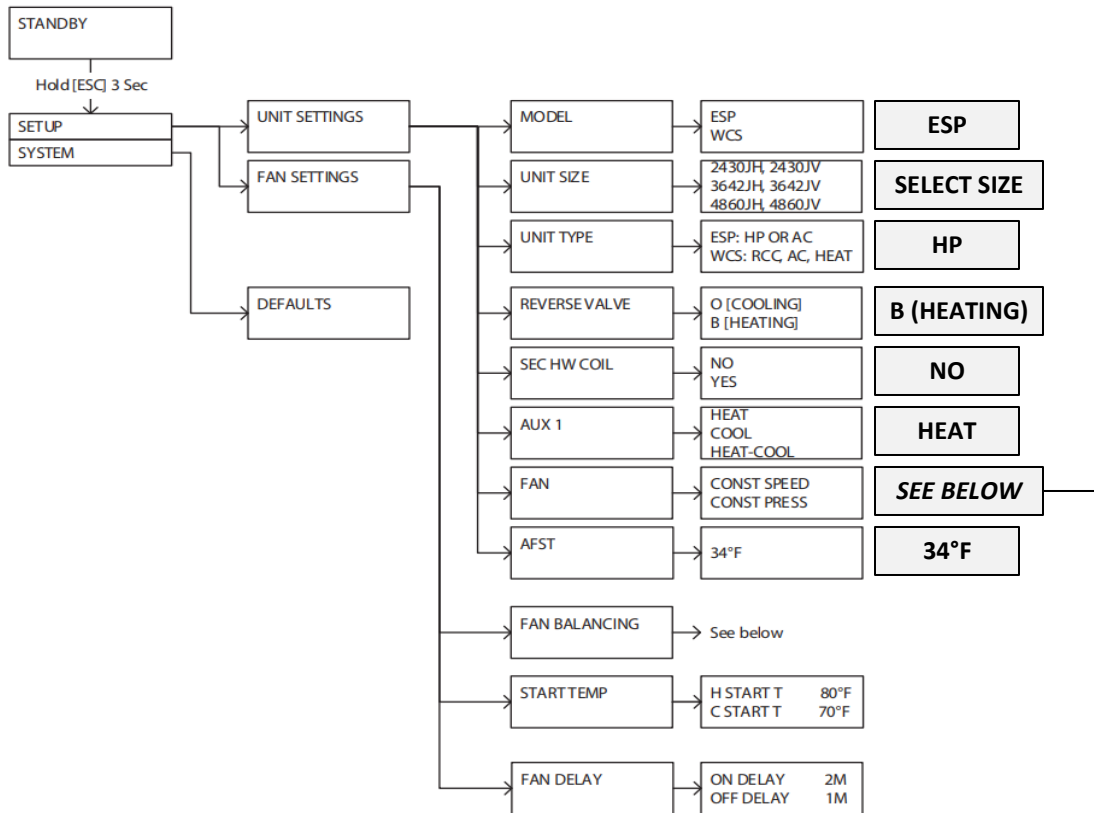
**TSS Associates, Inc.**

DESCRIPTION  
HONEYWELL T6 – BOSCH IDS – SPACEPAK ESP-J+

DATE: 1/5/2024      PAGE: 3 of 4

# SECTION 3: START-UP & COMMISSIONING

## Controls Overview/Features/Setpoints



**CHOOSE IF YOU WANT FAN TO BE RUN BASED ON SPEED OR STATIC PRESSURE:**

FAN BALANCING – CONSTANT SPEED				FAN BALANCING – CONSTANT PRESSURE			
Y1:	SPEED%	Y1% PRESS	CFM	Y1:	ST PRESS	Y1 SP PRESS	CFM
Y2:	SPEED%	50 0.4	350	Y2:	ST PRESS	1.2 0.51	350
Y12:	SPEED%	Y2% PRESS	CFM	Y12:	ST PRESS	Y2 SP PRESS	CFM
W1:	SPEED%	50 0.4	350	W1:	ST PRESS	1.2 0.51	350
W2:	SPEED%	Y12% PRESS	CFM	W2:	ST PRESS	Y12 SP PRESS	CFM
W12:	SPEED%	50 0.4	350	W12:	ST PRESS	1.2 0.51	350
G:	SPEED%	W1% PRESS	CFM	G:	ST PRESS	W1 SP PRESS	CFM
HUM:	SPEED%	50 0.4	350	HUM:	ST PRESS	1.2 0.51	350
ERV:	SPEED%	W2% PRESS	CFM	ERV:	ST PRESS	W2 SP PRESS	CFM
DFS:	SPEED%	50 0.4	350	DFS:	ST PRESS	1.2 0.51	350
		W12% PRESS	CFM			W12 SP PRESS	CFM
		50 0.4	350			1.2 0.51	350
		G% PRESS	CFM			G SP PRESS	CFM
		50 0.4	350			1.2 0.51	350
		HUM% PRESS	CFM			HUM SP PRESS	CFM
		50 0.4	350			1.2 0.51	350
		ERV% PRESS	CFM			ERV SP PRESS	CFM
		50 0.4	350			1.2 0.51	350
		DF% PRESS	CFM			DF SP PRESS	CFM
		50 0.4	350			1.2 0.51	350

NOTES:  
 Guide for ESP-J(PLUS) Control Board Initial Setup:  
 See pages 25-31 in IOM for more details.

**TSS Associates, Inc.**

DESCRIPTION  
 HONEYWELL T6 – BOSCH IDS – SPACEPAK ESP-J+

DATE: 1/5/2024 PAGE: 4 of 4